



INSTALLATION INSTRUCTIONS

Ascent Rear Bumper

Part Number: 104823

Application: 2019 Dodge Ram 1500

GENERAL SAFETY PRECAUTIONS

Your safety, and the safety of others, is very important. To help you make informed decisions about safety, we have provided installation and operating instructions and other information on labels and in this guide. This information alerts you to potential hazards that could hurt you or others. It is not possible to warn you about all potential hazards associated with this product, you must use your own good judgment.

CARELESS INSTALLATION AND OPERATION CAN RESULT IN SERIOUS INJURY OR EQUIPMENT DAMAGE. READ AND UNDERSTAND ALL SAFETY PRECAUTIONS AND OPERATING INSTRUCTIONS BEFORE INSTALLING AND OPERATING THIS PRODUCT.

This guide identifies potential hazards and has important safety messages that help you and others avoid personal injury or death. WARNING and CAUTION are signal words that identify the level of hazard. These signal words mean:

▲WARNING signals a hazard that could cause serious injury or death, if you do not follow recommendations. ▲CAUTION signals a hazard that may cause minor to moderate injury, if you do not follow recommendations.

This guide uses NOTICE to call attention to important mechanical information, and Note: to emphasize general information worthy of special attention.

▲ WARNING

IMPACT AND MOVING PARTS ENTANGLEMENT HAZARD

Failure to observe these instructions could lead to severe injury or death

- **Always** Know Your Winch. Take time to fully read the Instructions and/or Operations Guide, and/or Basic Guide to Winching Techniques, in order to understand your winch and its operations.
- **Never** work under vehicle before properly securing vehicle.
- **Always** use appropriate and adequate care in lifting components into place.
- **Never** work under vehicle before properly securing vehicle.
- **Always** use appropriate and adequate care in lifting components into place.
- **Never** use a jack to support the vehicle.
- **Always** use jack stands in pairs to support the vehicle.
- **Always** use jacks or jack stands only on a hard, stable, and level surface.
- **Never** exceed the rated capacity of a jack or jack stands.
- **Always** verify that the parking brake is set, the transmission is in park (automatic) or reverse (manual) and the rear wheels are blocked before working on vehicle.
- **Never** work under vehicle before properly securing vehicle.
- **Always** use appropriate and adequate care in lifting components into place.
- **Always** insure components will remain secure during installation and operation.
- **Always** tighten all nuts and bolts securely, per the installation and operation.
- **Always** perform regular inspections and maintenance on the winch, winch mount and related hardware.
- **Always** replace all worn or damaged parts before operating.
- **Never** operate this WARN product with damaged or missing parts.
- **Always** use extreme caution when drilling on any vehicle. Make sure that all fuel lines, brake lines, electrical wires, and other objects are not punctured or damaged when / if drilling on the vehicle. Thoroughly inspect the area to be drilled (on both sides of material) prior to drilling, and relocate any objects that may be damaged. Failure to inspect the area to be drilled may result in vehicle damage, electrical shock, fire or personal injury.
- **Always** use extreme caution when cutting and trimming during fitting.
- **Always** wear safety glasses when installing this kit. A drilling operation will cause flying metal chips. Flying chips can cause eye injury.
- **Always** remove jewelry and wear eye protection.
- **Never** lean over battery while making connections.
- **Never** route electrical cables across any sharp edge, through or near moving parts, near parts that become hot.

Read installation and operating instructions thoroughly.

WARN INDUSTRIES, INC. 12900 S.E. Capps Road,
Clackamas, OR USA 97015-8903, 1-503-722-1200, FAX: 1-503-722-3000
Customer Service: 1-800-543-9276
Dealer Locator Service: 1-800-910-1122
International Fax: 1-503-722-3005

⚠ CAUTION

MOVING PARTS ENTANGLEMENT HAZARD

Failure to observe these instructions could lead to minor or moderate injury

- **Always** take time to fully read and understand the installation and Operations Guide included with this product.
- **Never** operate this product if you are under 16 years of age.
- **Never** operate this product when under the influence of drugs, alcohol or medications.

Read installation and operating instructions thoroughly.

NOTICE

EQUIPMENT DAMAGE

- **Always** refer to the Installation and Specification Guide, supplied in the winch kit, for all wiring schematics and specific details on how to wire this WARN product to your vehicle.

Read installation and operating instructions thoroughly.

BEFORE YOU BEGIN

NOTICE



This product is not compatible with factory driver assist systems such as adaptive cruise control and parking assist systems that have sensors or cameras installed in the bumpers or front grill area. If your vehicle is equipped with any of these systems or features, consult your vehicle owner's manual before installing this product. These systems may need to be disabled as a result of installing this product.

TABLE OF CONTENTS

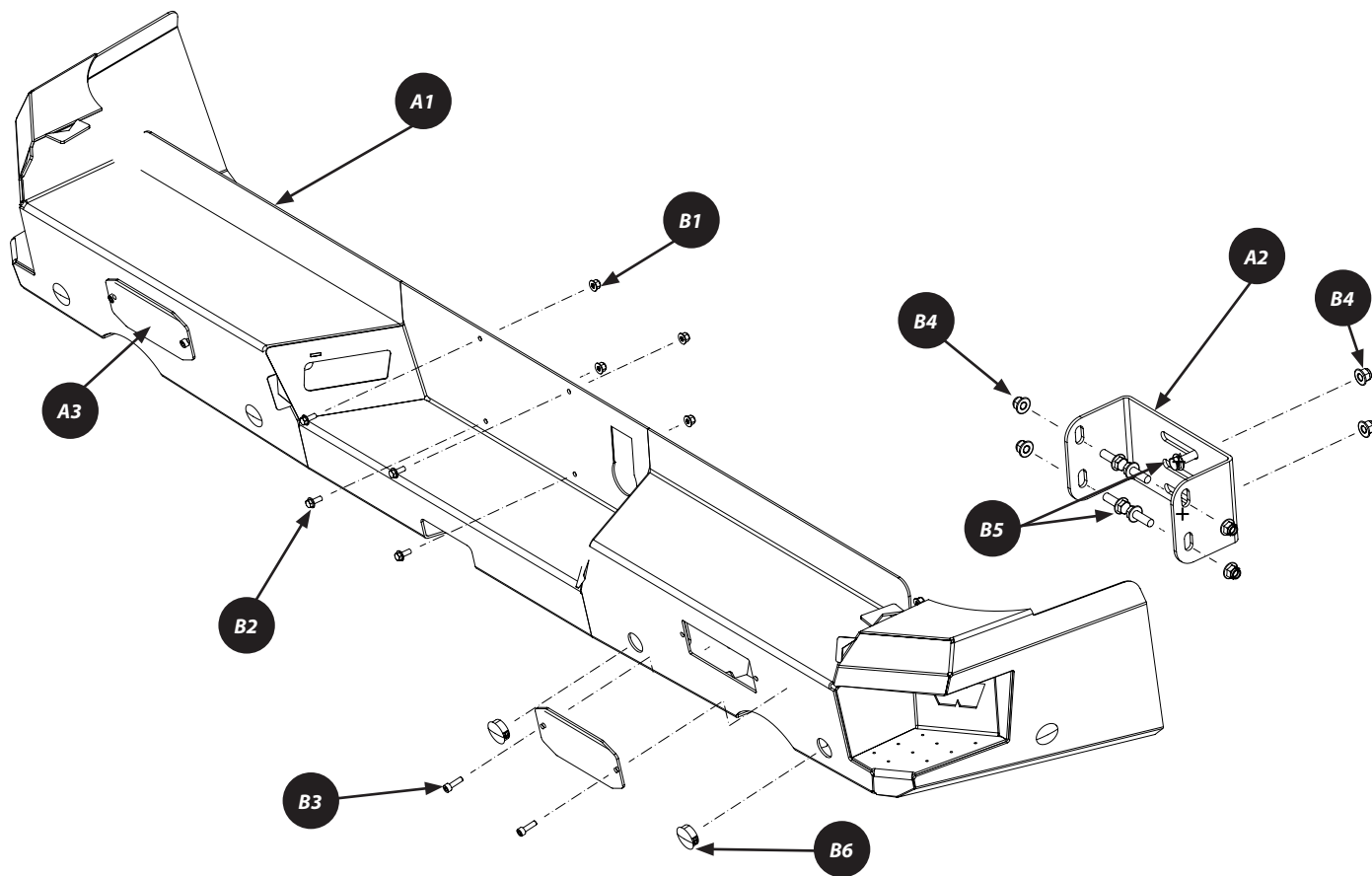
Tools Required.....	page 2
Parts List.....	page 3
Torque Specifications.....	page 3
Installation.....	page 4-6
Maintenance/Care.....	page 6

TOOLS REQUIRED

- Standard Wrench and Socket Set
- Metric Wrench and Socket Set

PARTS LIST

Item	PN	Description	Qty.	Item	PN	Description	Qty.
A1	105715	BUMPER	1	B1	83125	M6 X 1.0 FLANGED NUT	8
A2	105755	FRAME BRACKET	2	B2	79153	M6-1.0 X 16MM FLANGE BOLT	4
A3	105760	LIGHT PLATE	2	B3	84881	M6 X 1 X 20MM STAINLESS SCREW	4
				B4	87166	M10 X 1.50 FLANGE NUT	12
				B5	79583	M10 X 1.5 X 30 FLANGE BOLT	12
				B6	102248	PLASTIC PLUG	6
				B7	13231	ZIP TIE	12



TORQUE SPECIFICATIONS

Please use the recommended torque specifications when assembling this product unless otherwise specified in the instructions.

FASTENER SIZE	FASTENER TORQUE		FASTENER SIZE	FASTENER TORQUE	
	lb-ft	(N.m)	M4	(2)	3
1/4"	8	(11)	M5	(4.5)	6
5/16"	17	(23)	M6	(7.5)	10
3/8"	30	(40)	M8	(18)	25
7/16"	48	(66)	M10	(37)	50
1/2"	74	(100)			
9/16"	106	(144)			
5/8"	148	(200)			
3/4"	269	(364)			

INSTALLATION INSTRUCTIONS

1. Using a 10mm socket, remove license plate.
2. Remove the two plastic push pins and two bolts from license plate location.



Figure 1

3. From underneath the vehicle, at the rear driver's side corner, unplug the bumper harness and unsnap from vehicle frame.



Figure 2

4. While supporting the bumper, remove the two bumper mounting nuts using a 16mm socket (each side).

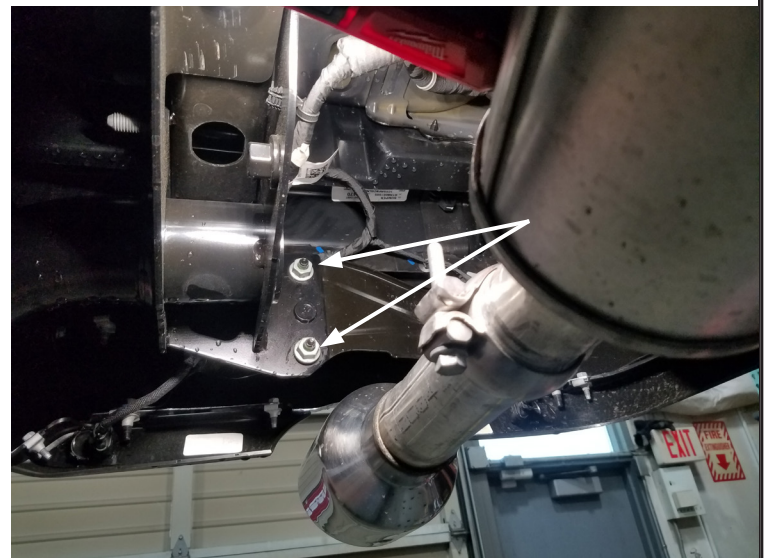


Figure 3

INSTALLATION INSTRUCTIONS

5. Carefully remove bumper and set on a clean and stable surface.
6. If your bumper is equipped with sensors, carefully remove from the carriages. **NOTICE** *Be sure to mark the location and orientation of each sensor plug.*
TIP: Numbering each sensor with tape and marking the top with a paint pen works well.
7. Release the plastic clips holding the wire harness in place and remove harness from bumper completely.
8. Unsnap trailer plug from stock bumper.
9. Remove license plate lights from stock bumper by removing the bolt on the rear of each housing with a 10mm wrench.
10. Reinstall trailer plug and license plate lights into new bumper.
11. Install the sensor carriages into the new bumper by either of the two methods below:
 - a. Using a razor blade, cut the sensor carriages out of the stock bumper and carefully glue into the new bumper with a waterproof adhesive or epoxy.
 - b. Order new carriages for the *FRONT* bumper of your specific year and model from a Dodge dealer and press them into the holes on the new bumper.
12. Install sensors into carriages. **NOTE: Be sure sensors match the same orientation of the stock bumper.**
13. If installing lights, install now. If not, install light plate (A3) using two M6 screws (B3) (each side). Refer to exploded view on page 3.
14. Install frame brackets (A2) to bumper using four M10 bolts (B5) and nuts (B4). **Do not fully tighten to allow for adjustment.** Refer to exploded view on page 3.

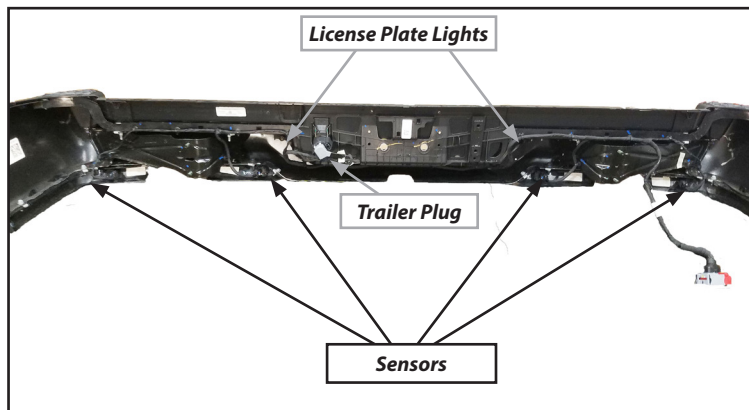


Figure 4

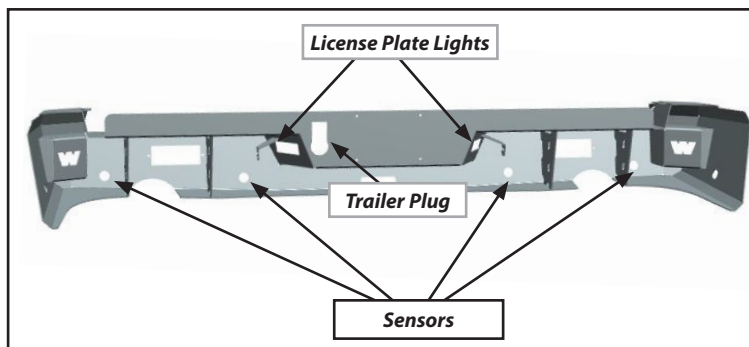


Figure 5

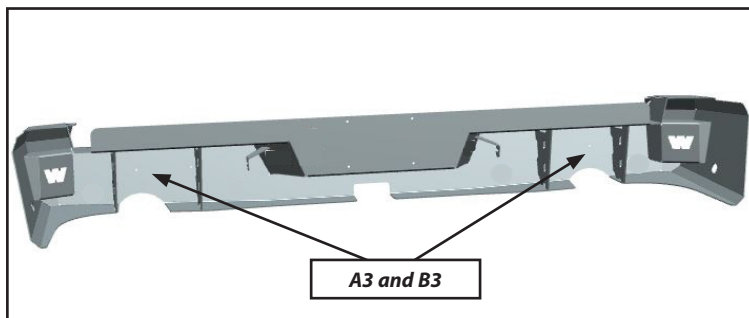


Figure 6

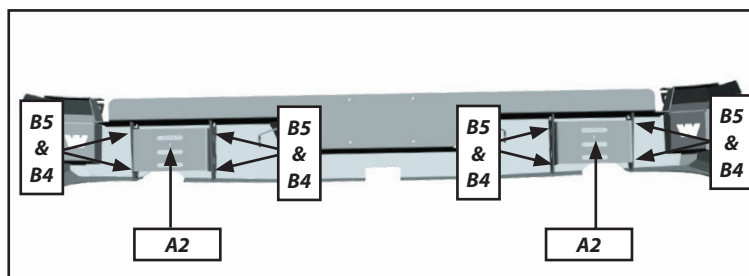


Figure 7

INSTALLATION INSTRUCTIONS

CAUTION Always use assistance when moving or lifting heavy parts.

15. With assistance, lift bumper up to stock frame mounting points and secure into place with four M10 bolts (B5) and nuts (B4) through slots in the mounting brackets. **Do not fully tighten to allow for adjustment.**
16. Align bumper to truck body, allowing bumper clearance from tailgate (*freely opens and shuts*).
17. Once you have position confirmed, tighten ALL hardware to torque specifications on page 3.
18. Plug in all necessary wiring harness connections (*license plate light, sensors, etc.*) and secure up and out of the way with included zip ties.
19. If vehicle is not equipped with sensors, use provided plugs (B6) in sensor holes.

Installation is now complete.

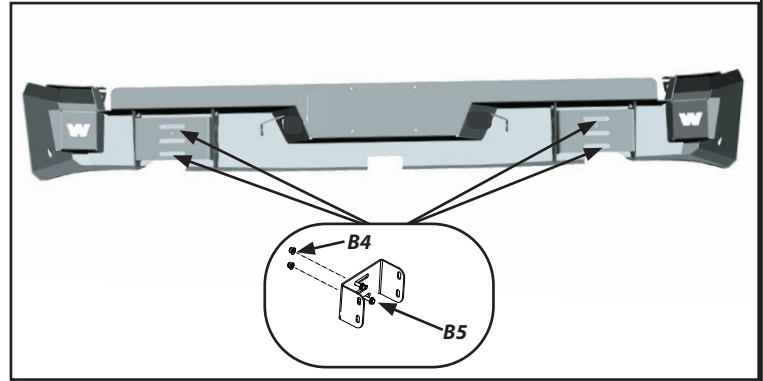


Figure 8



Figure 9

MAINTENANCE / CARE

1. Inspect all parts on the winch, winch mount, and related hardware prior to each use. Replace all hardware that appears rusted or deformed.
2. Inspect all nuts and bolts on the winch, winch mount, and related hardware prior to each use. Tighten all nuts that appear to be loose. Stripped, fractured, or bent bolts or nuts need to be replaced.
3. Check all cables prior to use. Replace cables that look worn or frayed.
4. Check all moving or rotating parts. Remove debris that may inhibit the part from moving freely.

CARELESS INSTALLATION AND OPERATION CAN RESULT IN SERIOUS INJURY OR EQUIPMENT DAMAGE. READ AND UNDERSTAND ALL SAFETY PRECAUTIONS AND OPERATING INSTRUCTIONS BEFORE INSTALLING AND OPERATING THIS PRODUCT.

