

REAPER



SMPR



INSTALL INSTRUCTIONS

EVOLUTION FRONT BUMPER

Product Range : 3202EF#B

Application : 2020+ CHEVY 2500HD 3500HD

I WARNING

Read the instructions completely before beginning installation. Before tightening bolts, drilling or cutting where required, check to make sure there are no obstructions such as brake, fuel or electrical lines which may be damaged. Also keep in mind this is an after-market product and MAY require minor shimming and/or trimming, reaming, etc. for proper fit. Road Armor is not responsible for any damages to vehicle.

ⓘ IMPORTANT NOTICE

- Be sure to inspect and test fit your product to ensure proper fitment before having it coated, painted, bed lined, etc.
- Road Armor will not be responsible for the cost of coating your unit if any problems with fit or finish are not noted and addressed beforehand.

SAFETY FIRST!

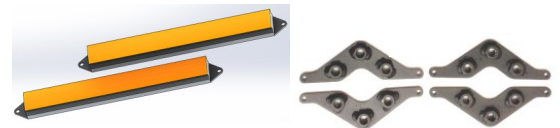
- FOLLOW ALL INSTRUCTIONS, YOUR SAFETY AND THE SAFETY OF OTHERS IS MOST IMPORTANT.
- WEAR APPROPRIATE EYE PROTECTION AND EXERCISE CAUTION WHEN DRILLING / CUTTING

REQUIRED TOOLS

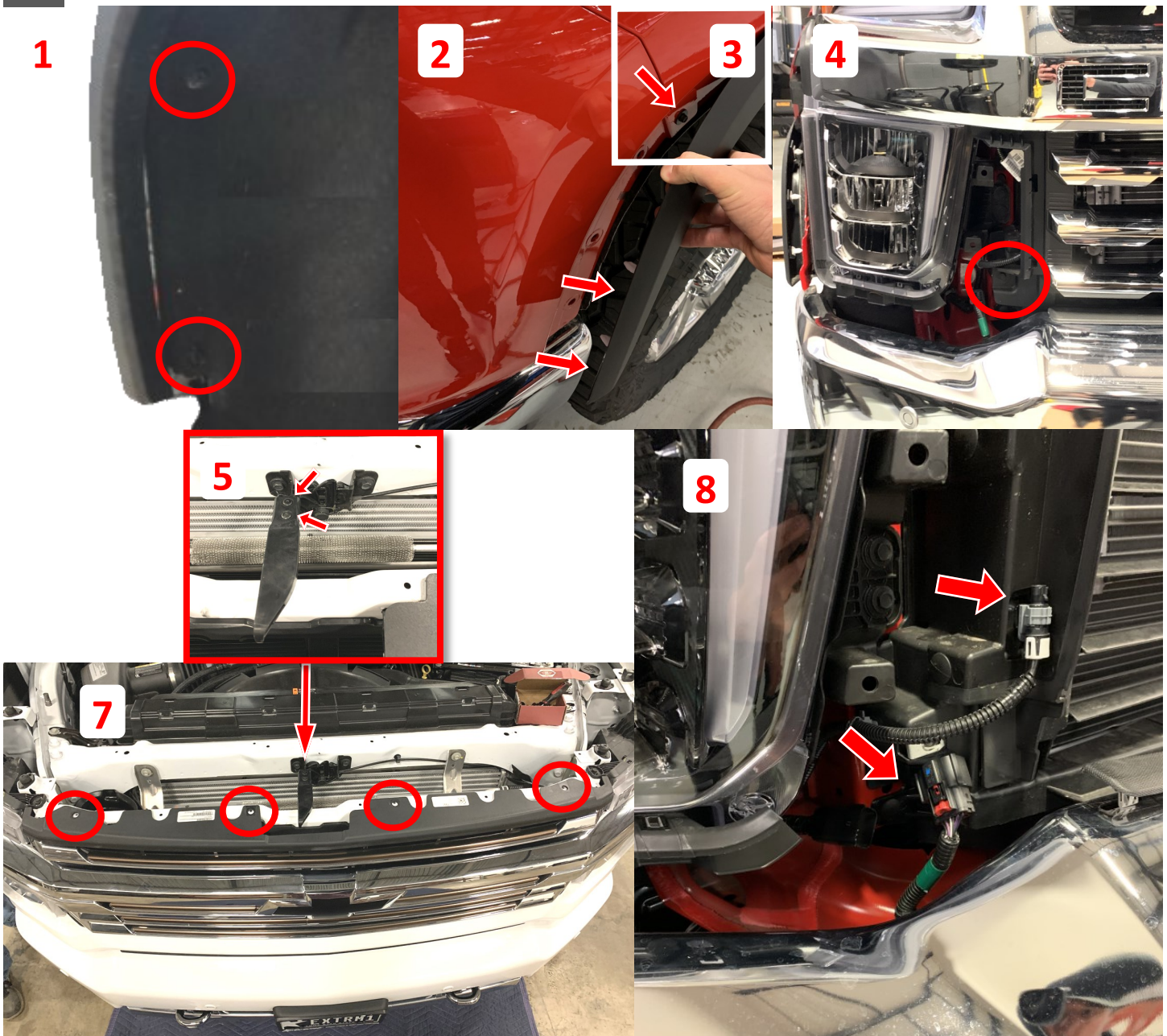
- | | |
|-----------------------------------|-------------------|
| SAE & Metric Sockets and Wrenches | Black Spray Paint |
| Drill and 1/2 – 9/16 or Step bit | Tape Measure |
| Allen wrenches | |

INCLUDED HARDWARE

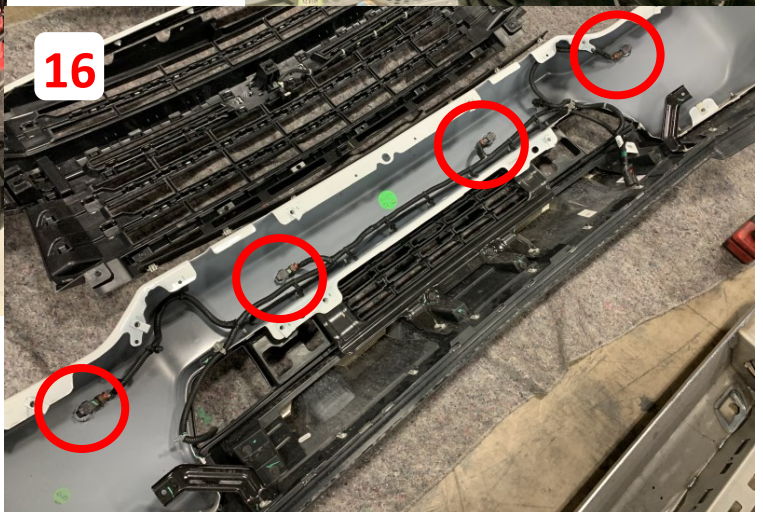
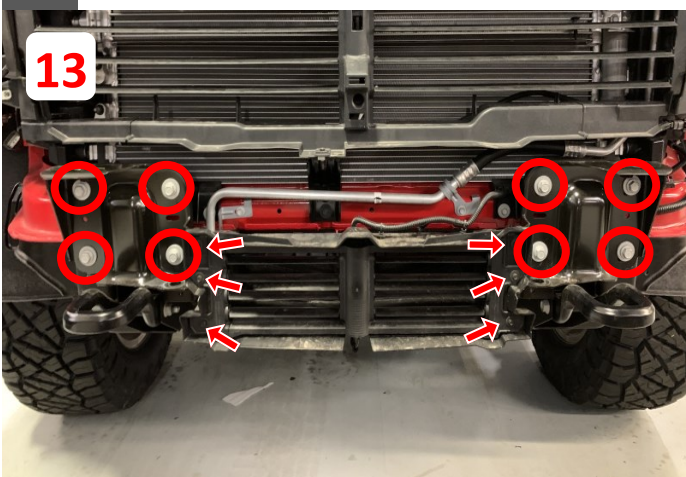
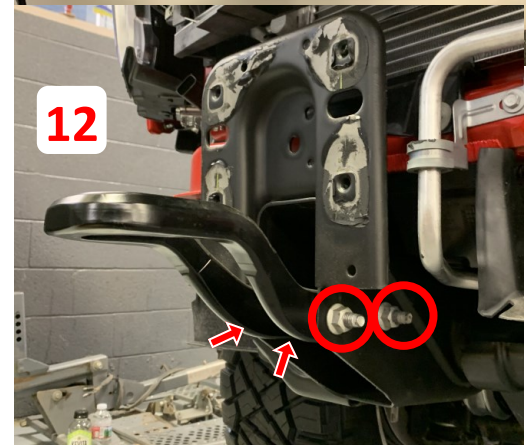
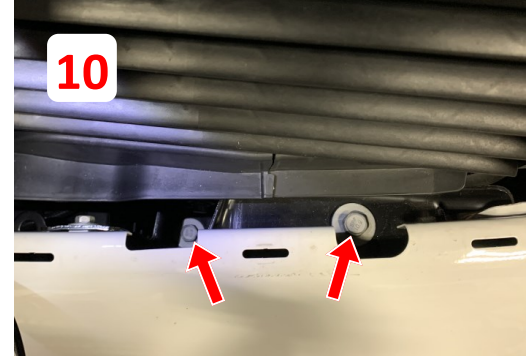
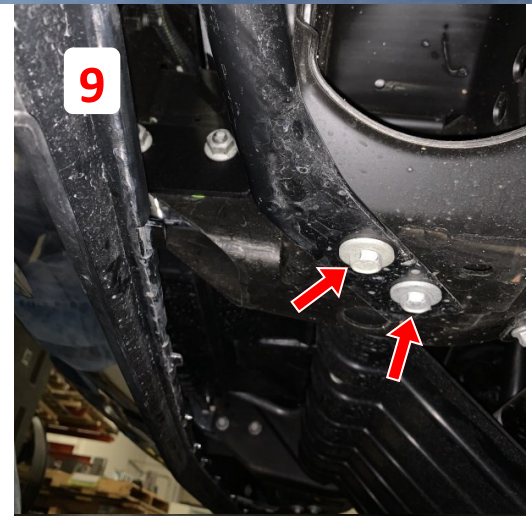
- 4 1" Dome Plug
- 12 1.5" SINGLE BOLT TAB (ZINC)
- 8 1/4"-20 Zinc Finish Grade A Finished Hex Nut
- 12 1/2"-13 x 1-1/2" Grade 8 Yellow Zinc Finish Hex Cap Screw
- 24 1/2" x 1.375" OD Thru-Hardened Yellow Zinc Finish Steel USS General Purpose Flat Washer
- 24 1/2" Yellow Zinc Finish High Alloy Medium Split Lock Washer
- 12 1/2"-13 Yellow Zinc Finish Grade 8 Finished Hex Nut
- 12 #10-24 Zinc Finish Steel with External Tooth Lockwasher K-Lock Nut
- 16 1/4" Regular Flat Washer
- 18 #10-24 x 1/4" Button Head Cap Screw
- 4 #10-24 x 1/2" Button Head Cap Screw
- 8 #10-24 x 3/4" Button Head Cap Screw
- 8 1/4"-20 x 3/4" Button Head Cap Screw
- 4 1/2" Triple Nut Plate
- 2 8" Accent Light



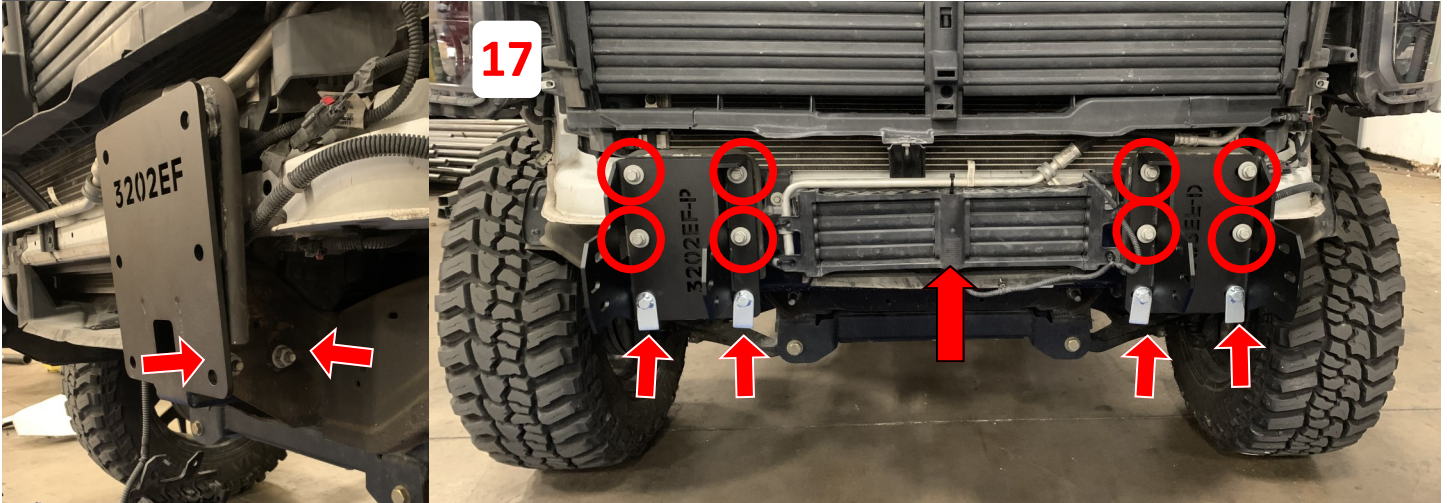
- 1 Use a T10 star head socket wrench to remove the two bolts from both the passenger and driver side wheel wells.
- 2 Use a body pry tool to carefully remove the front of the fender flare away from the body. Use a 7mm socket wrench to remove the bolt on the valance.
- 3 With the 7mm bolt removed use a body pry tool to remove the valance from the truck.
- 4 Use a 10mm socket wrench to remove the two bolts at the base of the grill.
- 5 Use a T10 socket wrench to remove the two bolts holding the hood latch on. With the hood latch taken off you can remove the grill cover. (Arrows shown.)
- 6 Use a body pry tool to remove the nine push pins holding the grill cover.
- 7 Use a 10mm socket wrench to remove the four bolts on the top of the grill. (Circled)
- 8 With the bolts removed, carefully take the grill off the truck. While taking off the grill, unplug the camera harness on the passenger side of the truck.



- 9 From under the truck: use a 15mm socket wrench to remove the two back bolts on the bumper support bracket on both sides
- 10 With the grill removed; access the bumper mounting bolts on the top deck. Use a 15mm socket wrench to remove the two bolts one on the top and one on the bottom. The bumper can now be removed from the truck.
- 11 As you remove the bumper, unplug the sensor, heater plug, and lower louver harnesses located on the driver side of the truck.
- 12 If equipped, remove the factory tow hooks by using an 18mm socket wrench to unfasten the two bolts in the frame.
- 13 Use a 15mm socket wrench to take four bolts holding the mounting plates and lower louvers to the frame horns.
- 14 If equipped, disconnect the lower louvers from the mounting plates by using a 7mm socket wrench to remove the six bolts. Set bolts aside for later use.
- 15 If equipped, remove the engine heater plug located on the driver side of the truck bumper. Push the bumper in against the spring and turn counterclockwise, once unclipped pull out from the bumper.
- 16 Remove all brackets covering sensors followed by carefully remove the four sensors and sensor housings from the bumper by spreading the housing clips out and pushing the sensor out simultaneously. Make sure to mark the position of each housing for installing into the front bumper. Remove the sensor housings from the bumper by pressing the retainer clips in on the sides and pushing the housing out.



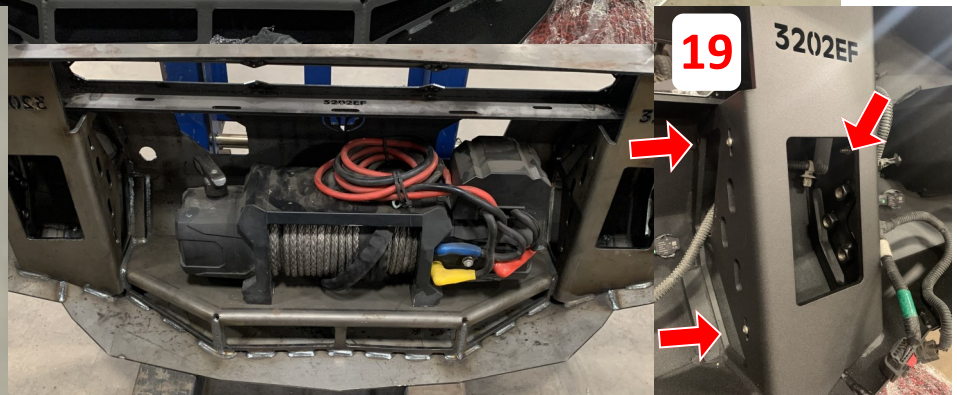
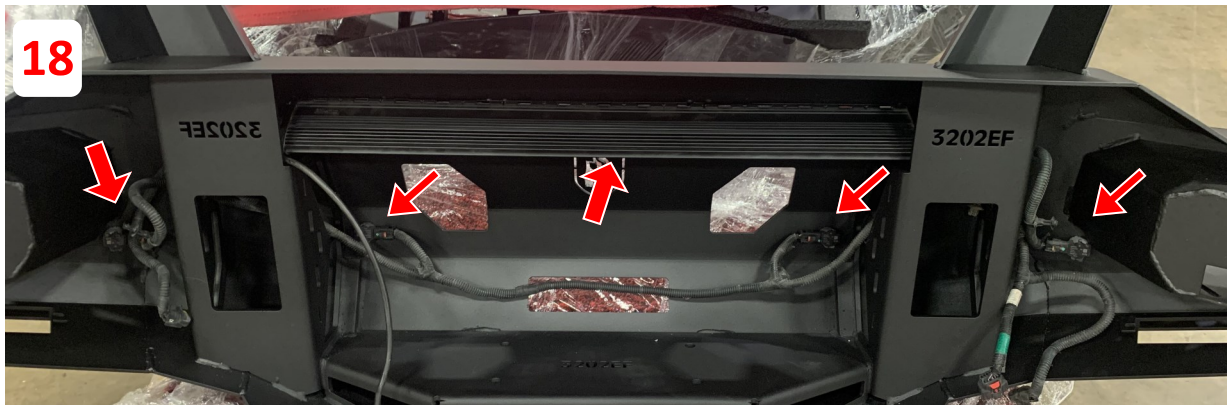
- 17** Loosely install kit frame brackets using Qty: 4 – FACTORY (OEM) 10mm Bolts through the front of each frame bracket. Continue by using Qty: 4 – ½” Bolt Tabs, Nuts, Lock Washers and Washers through kit bracket and lower frame where OEM tow hooks attached & 2 through each frame horn. If equipped, plug harness back into bumper shutter system motor. Take off shutter shroud around the fins. Secure shutter system to bracket assembly.



- 18** Install all sensor into Evolution bumper as were in factory bumper. Trim 1/16” off sensor housing for proper fit. Zip tie can be used on back side to secure each sensor assembly to bumper.

- 19** Loosely install 4 - 1/2” Triple nut plates into bumper using #10 hardware supplied (***DO NOT TIGHTEN***)

NOTE *MUST* Install Winch and ALL Lighting prior to installing bumper onto truck.



- 20** Measure distance from inside to inside of “Weld-in” bracket on bumper and transfer measurement to frame brackets. Once adjusted and centered to proper distance tighten all hardware on frame brackets.
- 21** Install bumper assembly using 6 – ½” bolts, lock washers and washers at each frame end. Align bumper and be sure to leave approximately 3/8” gap between headlamp and bumper. (Doing so will prevent damage to fascia and bumper.) Once bumper is aligned; tighten all remaining bumper bracket hardware.
- 22** Plug all disconnected harnesses and reinstall factory grille and fascia in reverse order.
- 23** Trim inner fender liner to fit profile of Stealth bumper.



MINIMUM 3/8”+ Gap Required; DO NOT Install Directly Against Front Fascia

