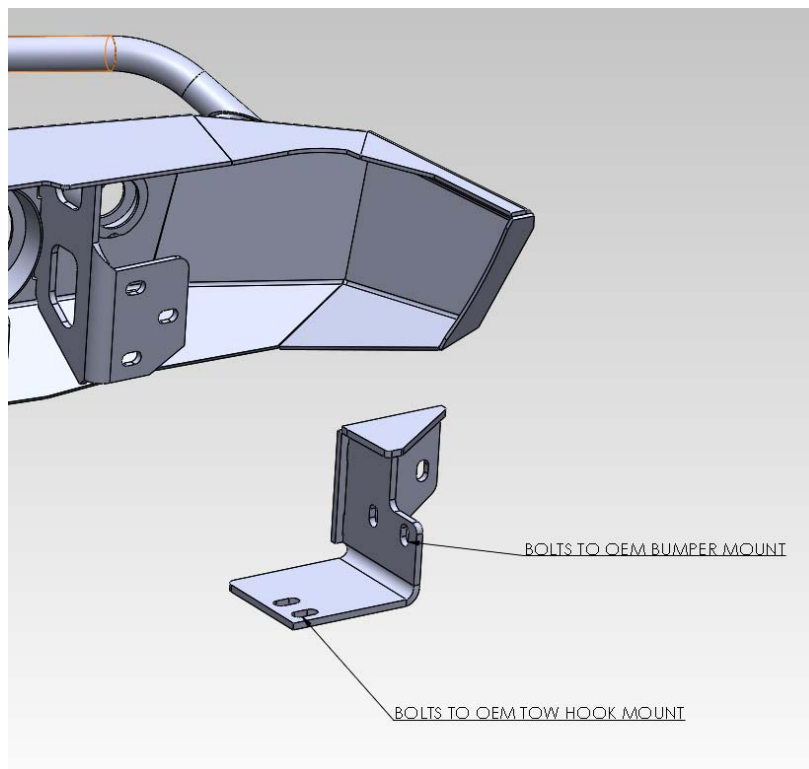
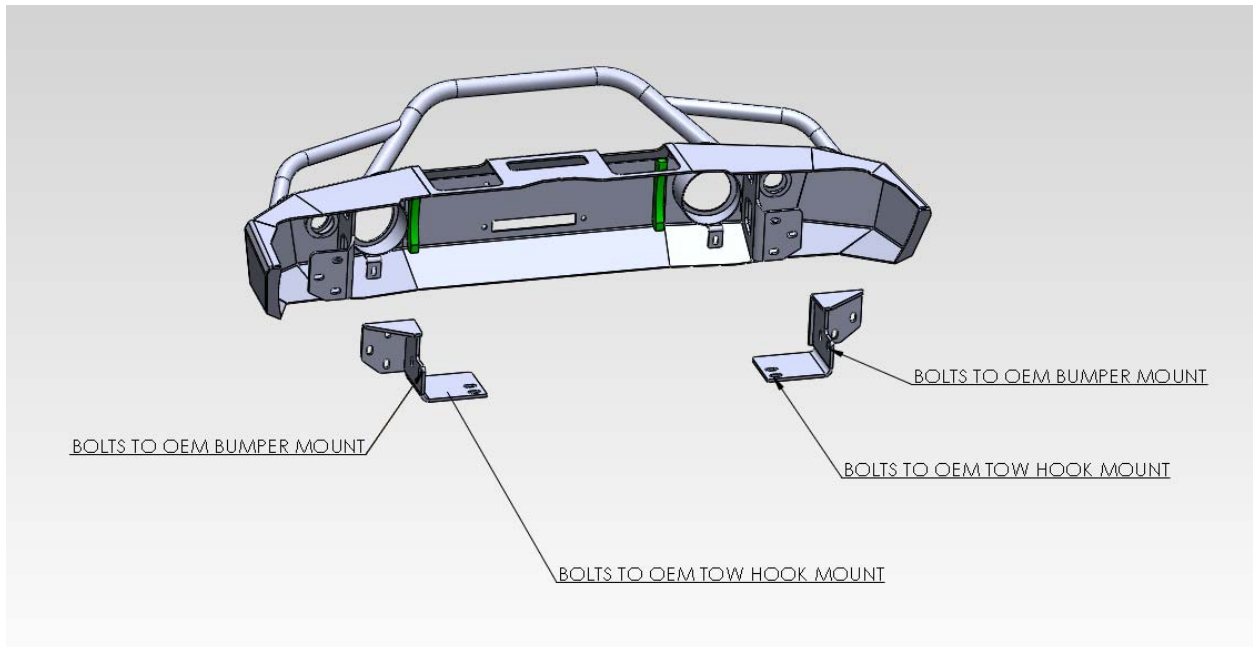


1995-2004 Toyota Tacoma Front Bumper Pics



- Cut OEM blinker wires and replace with provided pigtails.
- Use OEM Hardware for frame mounts.
- Use Hardware Kit # 1 for Hammerhead bumper mounts. There will be two bolts, two nuts, and four flat washers left over.