

2006-20XX FORD F150

REAR BUMPER INSTALLATION INSTRUCTIONS



SAFETY

Know safety, no injury. Know injury, no safety. ~Author Unknown

- **READ ALL SAFETY INSTRUCTIONS BEFORE INSTALLATION**
 - FOLLOW ALL INSTRUCTIONS FOR PROPER ASSEMBLY
 - WEAR APPROPRIATE EYE PROTECTION
 - EXERCISE CARE WHEN LIFTING COMPONENTS
 - USE APPROPRIATE TORQUE FOR BOLTS
 - BLUE THREAD LOCKING COMPOUND IS RECOMMENDED ON ALL BOLT
- SUGGESTED TORQUE VALUES FOR STEEL GRADE SAE 5 BOLT

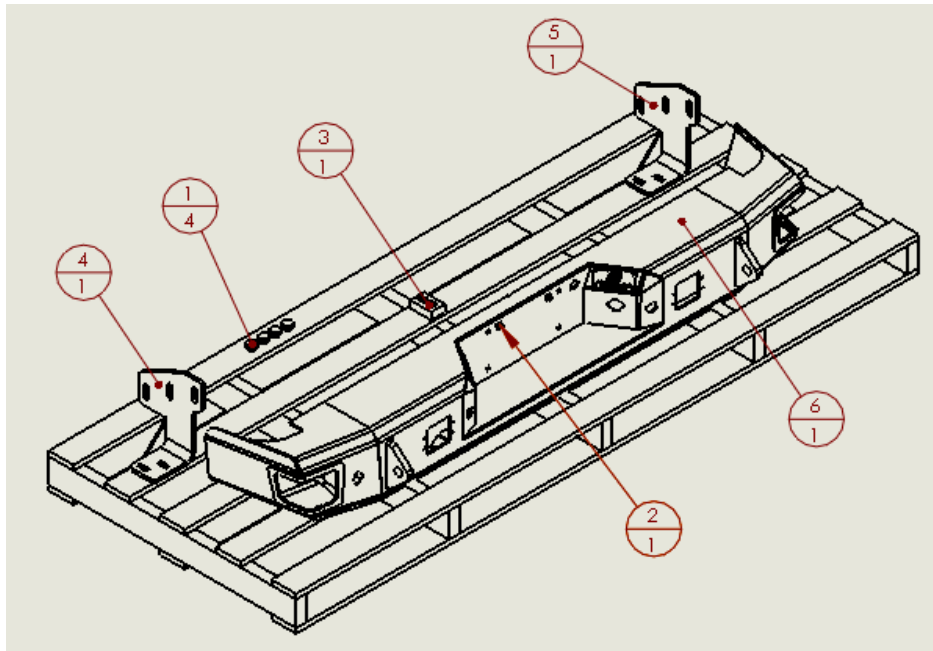
BOLT DIAMETER (INCH)	TREADS PER INCH	TORQUE (POUND-FEET)
1/4	20	7
5/16	18	14
3/8	16	25
7/16	14	40
1/2	13	60
9/16	12	88
5/8	11	120
3/4	10	200
7/8	9	302
1	8	466



2006-20XX FORD F150 REAR BUMPER

I. PARTS LIST

ITEM NO.	QTY.	PART NUMBER	DESCRIPTION	
1	4	316-01-0005	1.25" PLUG BT-FLUSH LDPE BLACK	-
2	1	443-01-0086	LICENSE PLATE MOUNTING KIT	-
3	1	60K-5-6-0001	HARDWARE KIT #1	-
4	1	60P-5-6-0286	PASS FRAME MOUNT WELDMENT	-
5	1	60P-5-6-0287	DRIVER FRAME MOUNT WELDMENT	-
6	1	60P-5-6-0477	60P-5-6-0477 POLISHED	-



II. TOOL LIST

1. 3/4" socket
2. 3/4" wrench
3. 21mm socket and wrench
4. Flathead and Phillips head screw driver
5. 10mm socket



2006-20XX FORD F150 REAR BUMPER

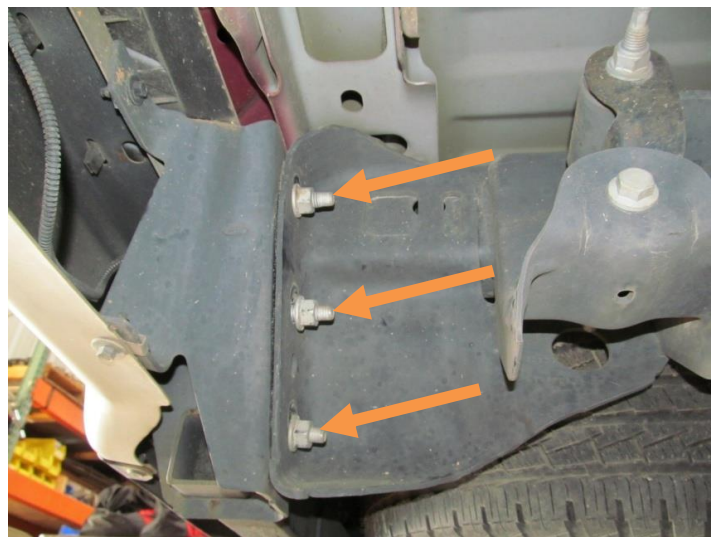
III. REMOVAL OF OEM BUMPER

1. Remove OEM license plate lights from OEM bumper. Secure all wires safely out of the way.
2. Disconnect the wiring harness for electrical components in the bumper. Use a 10mm socket to remove the ground cable. See Figure 1.



Figure 1.

3. Unplug trailer plug connector.
4. Using a 21mm remove 3 nuts (each side) securing the receiver hitch and OEM bumper to the frame. See Figure 2.





2006-20XX FORD F150 REAR BUMPER

Figure 2

5. Carefully remove OEM bumper/receiver hitch and set aside. See Figure 3.



Figure 3

6. Using a 10mm socket remove three bolts on each side to remove receiver hitch from OEM bumper. See Figure 4.

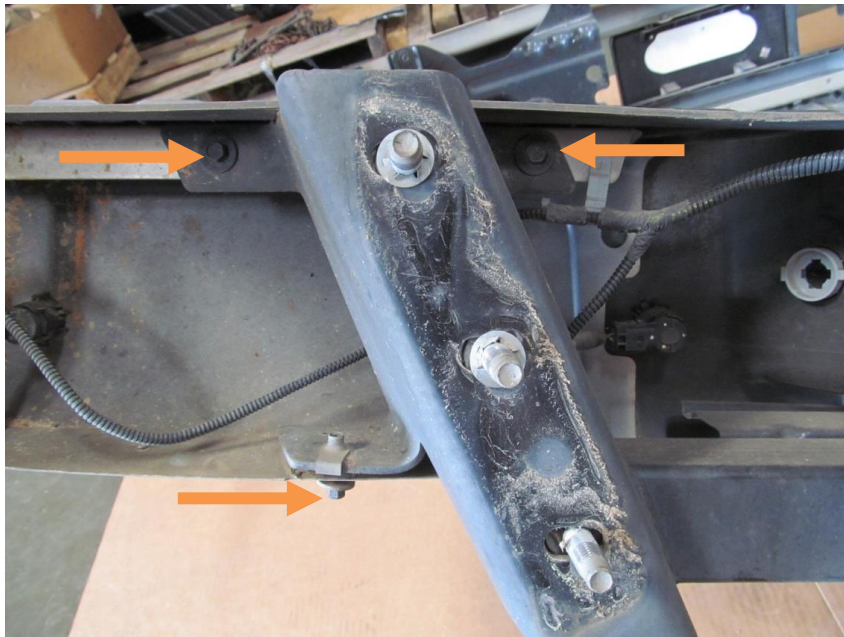


Figure 4.



2006-20XX FORD F150 REAR BUMPER

7. Remove receiver hitch from OEM bumper. See Figure 5



Figure 5

8. Remove wiring harness from OEM bumper. See Figure 6.



Figure 6.

9. Remove Spare tire lock cover from OEM bumper per owner's manual.
10. Remove OEM license plate light covers from OEM bumper .See Figure 7.



Figure 7

11. Remove license plate for OEM bumper.



2006-20XX FORD F150 REAR BUMPER

IV. INSTALLATION OF HAMMERHEAD BUMPER

1. Install license plate mounting kit in Hammerhead rear bumper
2. Install Flush mount lights at this time
3. Install Hammerhead frame mounts to OEM receiver hitch as shown in figure 8.

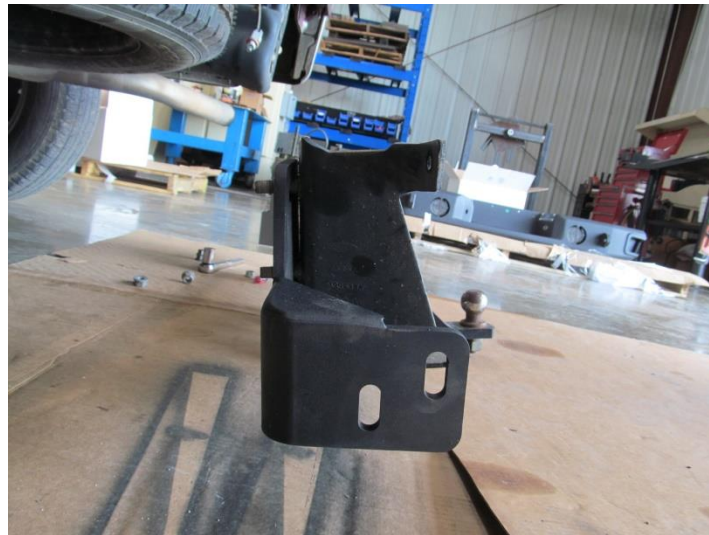


Figure 8



Figure 9



2006-20XX FORD F150 REAR BUMPER

4. Install OEM Receiver hitch to vehicle. Make sure Hammerhead frame mounts are sandwiched between OEM Receiver hitch and vehicle. See Figure 10 and Figure 11. Pull frame mounts all the way to the outer side of the truck. Hand tighten.



Figure 10



Figure 11



2006-20XX FORD F150 REAR BUMPER

5. Install HammerHead premium aftermarket bumper to frame mounts. Take note that the frame mounts go on the outer side of the shackle mount. See Figure 12.

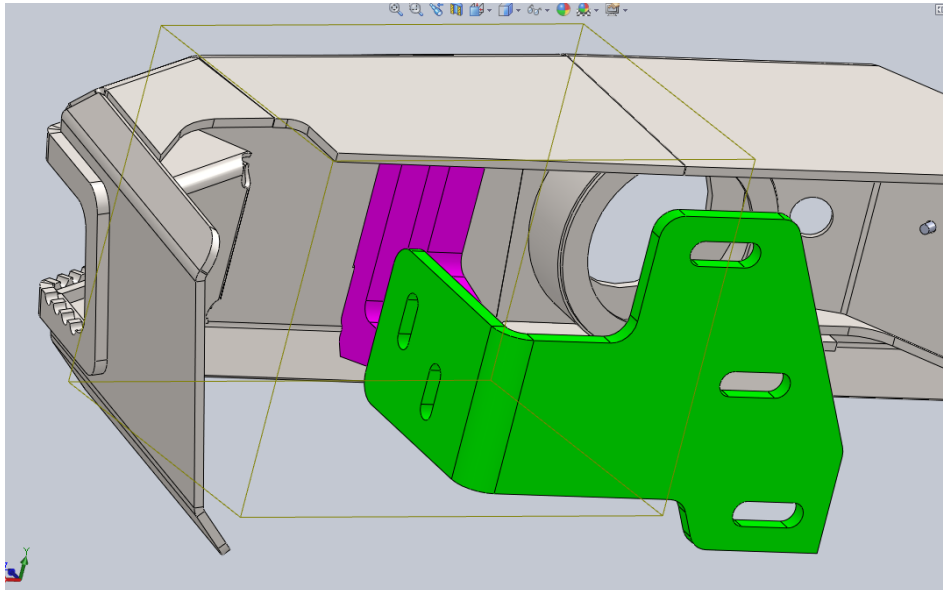


Figure 12

6. Using two supplied bolts from hardware kit #8 and secure bumper to frame mounts. (each side)
7. Align bumper to vehicle.
8. Once desired position is obtained; use a 21mm to tighten the OEM receiver hitch nuts.
9. Use $\frac{3}{4}$ " wrench and socket to tighten hardware kit # 8 bolts (2 per side).
10. Install OEM license plate lights into HammerHead bumper. See Figure 13.



2006-20XX FORD F150 REAR BUMPER



Figure 13

11. Install OEM spare tire lock cover to Hammerhead bumper. See Figure 14.

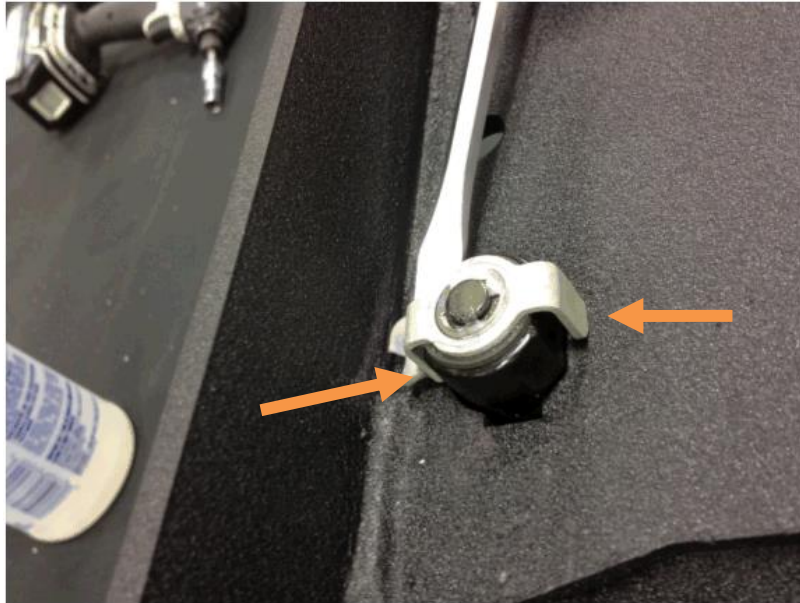


Figure 14

If the spare tire lock wobbles excessively, the legs can be formed in with a pair of pliers to improve the fit.



2006-20XX FORD F150 REAR BUMPER



12. **EXTREME CAUTION!** Install OEM rear park assist sensors into HammerHead bumper. Use a lubricating fluid (soapy water works) to minimize friction while inserting sensors into grommets. Take care not to twist sensors while inserting as this could damage the sensor. The sensor needs to be pushed as far through the bumper as possible. (Black part of sensor needs to be showing on the outside of the bumper. See figure 15 and figure 16



Figure 15



2006-20XX FORD F150 REAR BUMPER



Figure 16

13. Plug trailer plug back into receiver hitch.
14. Using a 10mm socket tighten ground cable of wiring harness to vehicle and plug in wiring harness to vehicle connector.

CONGRATULATIONS!!

