

2009-20XX DODGE 1500

2010-20XX DODGE 2500-3500

REAR BUMPER INSTALLATION INSTRUCTIONS



SAFETY

KNOW SAFETY, NO INJURY. KNOW INJURY, NO SAFETY. ~AUTHOR UNKNOWN

If there are any questions, call 1-855-HHTOUGH

- **READ ALL SAFETY INSTRUCTIONS BEFORE INSTALLATION**
 - FOLLOW ALL INSTRUCTIONS FOR PROPER ASSEMBLY
 - WEAR APPROPRIATE EYE PROTECTION
 - EXERCISE CARE WHEN LIFTING COMPONENTS
 - USE APPROPRIATE TORQUE FOR BOLTS
 - BLUE THREAD LOCKING COMPOUND IS RECOMMENDED ON ALL BOLTS





2009-20XX DODGE 1500, 2010-20XX DODGE 2500-3500

Suggested Torque Values For Steel Grade 5 Standard Bolts		
BOLT DIAMETER (INCH)	THREADS PER INCH	TORQUE (POUND - FEET)
1/4	20	7
5/16	18	14
3/8	16	25
7/16	14	40
1/2	13	60
9/16	12	88
5/8	11	120
3/4	10	200
7/8	9	302
1	8	466

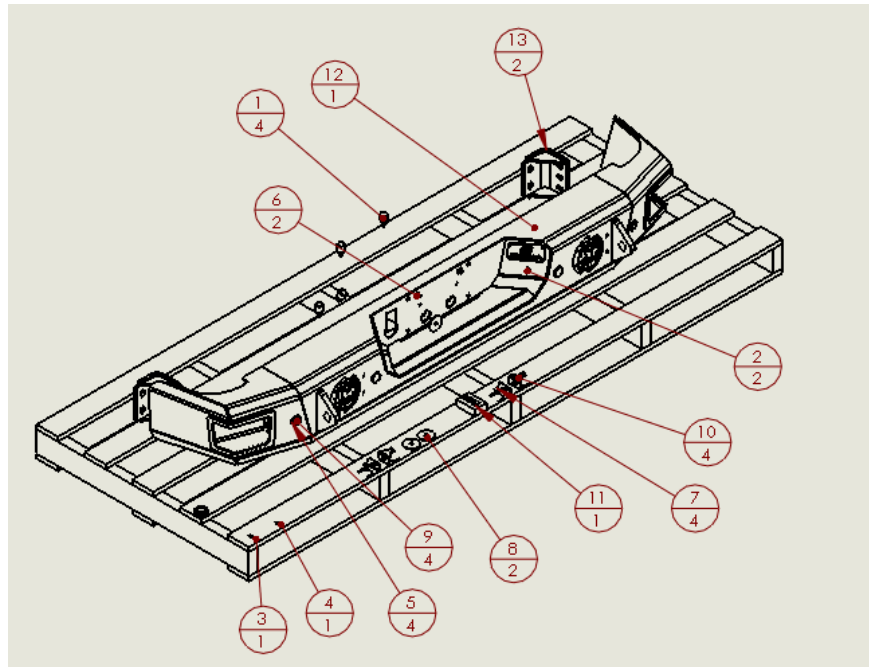
Suggested Torque Values For Steel Grade 8.8 Metric Bolts		
BOLT DIAMETER (mm)	THREAD PITCH (mm)	TORQUE (POUND-FEET)
6	1.0	7
8	1.25	16
10	1.5	32
12	1.75	55
14	2.0	88
16	2.0	140
18	2.5	195
20	2.5	275
22	2.5	375
24	3.0	475

PARTS LIST:

ITEM NO.	QTY.	PART NUMBER	DESCRIPTION
1	4	307-02-0032	MALE CONN FOR LICENSE PLATE LIGHTS
2	2	307-07-0008	12V COOL WHITE LED 120DEG BLK
3	1	307-09-0075	BUTT SPLICE 16-14 BLUE HEATSINK
4	1	307-09-0135	BUTT SPLICE 22/16 RED HEATSINK
5	4	307-13-0231	7/8" REAR PARK ASSIST GROMMET
6	2	443-01-0086	LICENSE PLATE MOUNTING KIT
7	4	443-10-0927	PUSH IN BUMPER 5/16" HOLE SIZE
8	2	601-56-1446	.120" THICK WASHER
9	4	601-56-2316	OUTSIDE PLUG
10	4	601-56-2711	SENSOR CLIP
11	1	60K-56-0001	HARDWARE PACKAGE #1
12	1	60P-56-0478	600-56-0478 POLISHED
13	2	60P-56-1447	PAINTED FRAME MOUNT WELDMENT



2009-20XX DODGE 1500, 2010-20XX DODGE 2500-3500



I. TOOL LIST

1. 15mm socket
2. 3/4" wrench
3. 3/4" socket
4. Dish washing soap
5. Wire pliers
6. Heat gun or other heat source

II. REMOVAL OF OEM BUMPER

1. Unplug the OEM license plate light. (both sides)





2009-20XX DODGE 1500, 2010-20XX DODGE 2500-3500

2. Unhook OEM trailer plug connection.



3. Unplug wire harness for park assist sensors (if applicable).

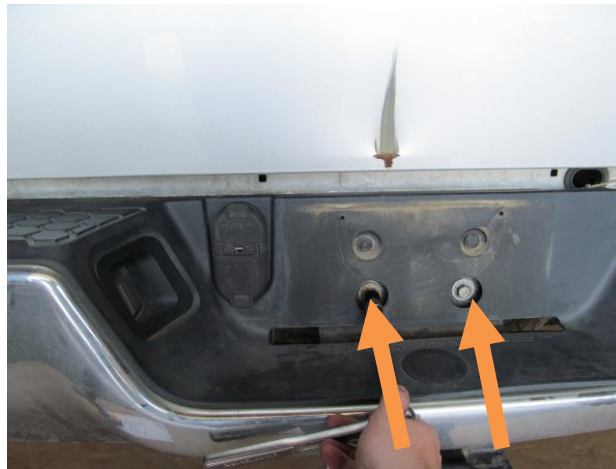
4. Using 10mm socket or Phillips head screwdriver, remove license plate from OEM bumper.



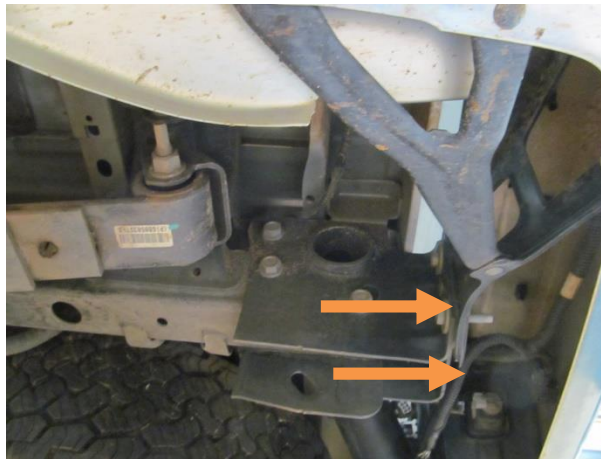
4. Behind the license plate there are either two bolts or two nuts depending on year model. Use 15mm socket to remove both of them.



2009-20XX DODGE 1500, 2010-20XX DODGE 2500-3500



5. Using 15mm socket, remove two bolts holding on OEM bumper. (both sides)



6. Remove OEM rear bumper and set aside. Lay bumper face down on a carpeted or cardboard surface.

7. Remove trailer plug housing from OEM bumper.

8. Carefully remove each sensor from the clip in its housing in OEM bumper.

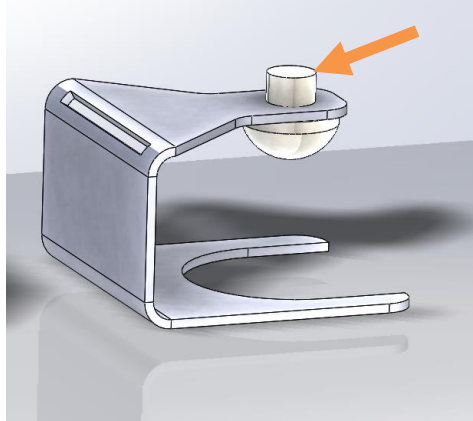


2009-20XX DODGE 1500, 2010-20XX DODGE 2500-3500



III. INSTALLATION OF HAMMERHEAD BUMPER

1. For bumpers with sensors, install rubber grommets in bumper. Place a drop of dish washing soap on each sensor to lubricate it. Install OEM sensors in bumper. The sensor's plugs need to be horizontal and face the center of the truck. NOTE: DO NOT TWIST SENSOR WHILE INSTALLING. THIS WILL DAMAGE IT.
2. Install rubber bumper (orange arrow) in sensor clip. (qty-4)





2009-20XX DODGE 1500, 2010-20XX DODGE 2500-3500

3. Slide sensor clip over grommet and ensure rubber bumper touches the back of the sensor. This clip will retain the sensor in the grommet



4. Install OEM sensor wiring harness and plug sensors in. You may need to remove some of the wiring loom to reroute the wires.
5. Pop OEM trailer connector in Hammerhead bumper.
6. Cut off OEM license plate light plugs and replace with provided bullet connectors. Use heat gun to shrink wrap bullet connector after crimped.
7. In this step you will use hardware from kit #1. Using two 1/2"-13x2" bolts, four 1/2" flat washers, two 1/2" lock washers, and two 1/2"-13 nuts, fasten Hammerhead frame mounts to OEM frame. (both sides) Do not fully tighten.





2009-20XX DODGE 1500, 2010-20XX DODGE 2500-3500



8. Install provided 1/8" thick washer in bumper's center mount and secure with OEM bolts or nuts. (Slide washers in from the side.) Do not fully tighten.



9. In this step you will use hardware from kit #1. Using two 1/2"-13x2" bolts, four 1/2" flat washers, two 1/2" lock washers, and two 1/2"-13 nuts, install Hammerhead bumper to Hammerhead frame mounts. (both sides) Align bumper and tighten all hardware.
10. Plug in OEM trailer connector, sensor wiring harness, and Hammerhead license plate lights.
11. Wire up reverse lights.



Congratulations! Your bumper installation is now complete.
Thank you for your purchase.