

2017-20XX, FORD, F250-550

FRONT BUMPER INSTALLATION INSTRUCTIONS



SAFETY

Know safety, no injury. Know injury, no safety. ~Author Unknown

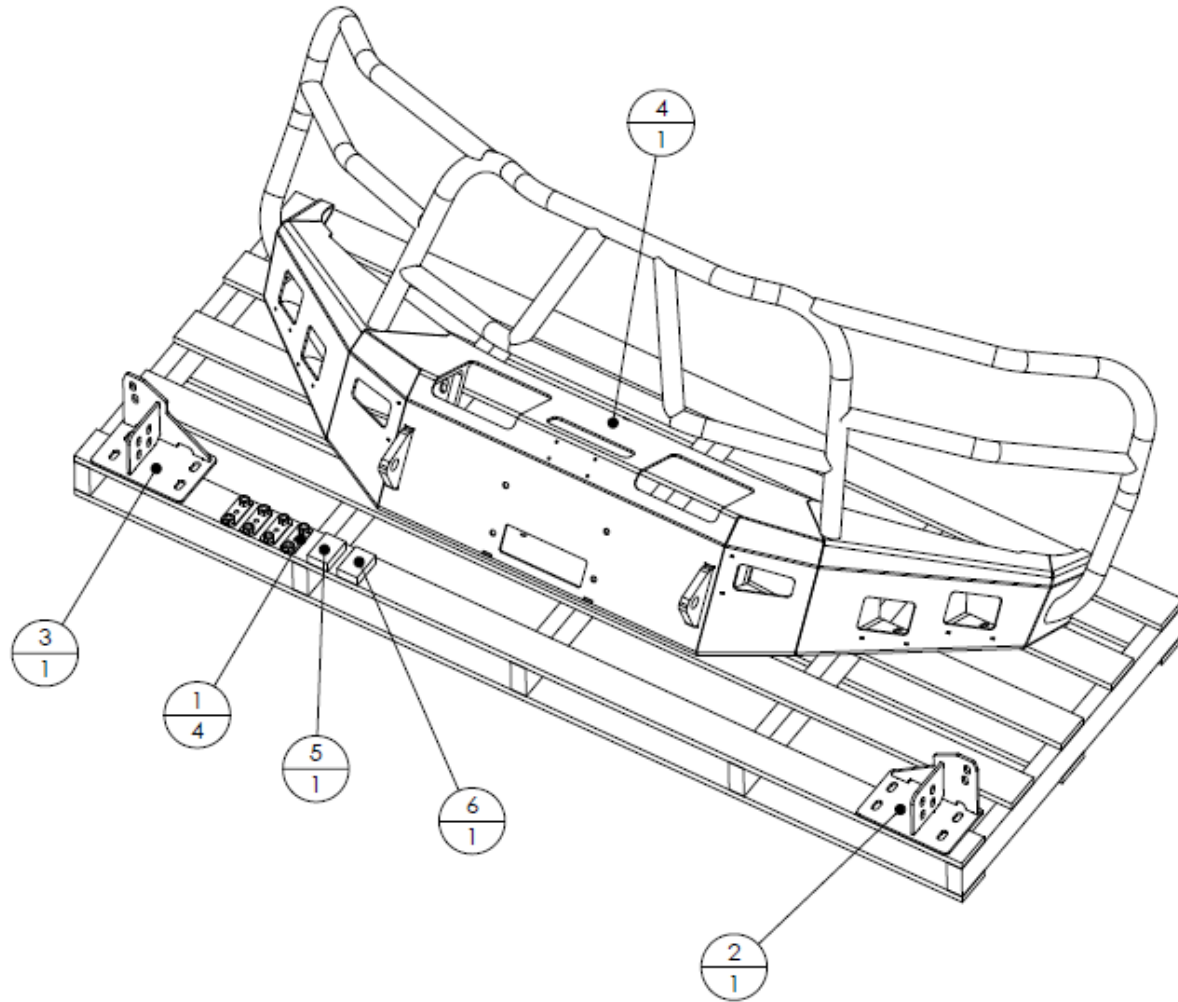
If there are any questions, call 1-855-HHTOUGH

- **READ ALL SAFETY INSTRUCTIONS BEFORE INSTALLATION**
 - FOLLOW ALL INSTRUCTIONS FOR PROPER ASSEMBLY
 - WEAR APPROPRIATE EYE PROTECTION
 - EXERCISE CARE WHEN LIFTING COMPONENTS
 - USE APPROPRIATE TORQUE FOR BOLTS

SUGGESTED TORQUE VALUES FOR STEEL GRADE SAE 5 BOLTS

BOLT DIAMETER (INCH)	TREADS PER INCH	TORQUE (POUND-FEET)
1/4	20	7
5/16	18	14
3/8	16	25
7/16	14	40
1/2	13	60
9/16	12	88
5/8	11	120
3/4	10	200
7/8	9	302
1	8	466

I. PARTS LIST



Item #	Qty	Part #	Description
1	4	0611	WELDNUT TAB 5
2	1	3635	RIGHT FRAME MOUNT WELDMENT
3	1	3636	LEFT FRAME MOUNT WELDMENT
4	1	600-56-0586, 0588, 0589	FRONT WINCH BUMPER
5	1	60K-56-0097	HARDWARE KIT #97
6	1	60K-56-0098	HARDWARE KIT #98



2017-20XX, FORD, F250-550

60K-56-0097 BILL OF MATERIALS

TYPE	QTY	DESCRIPTION
HEX BOLT	8	½"-13 X 1.5" HEX - ZN
WASHER	8	½" LOCKWASHER
WASHER	8	½" FLAT WASHER

60K-56-0098 BILL OF MATERIALS

TYPE	QTY	DESCRIPTION
HEX BOLT	8	½"-13 X 1.5" HEX - ZN
WASHER	8	½" LOCKWASHER
WASHER	8	½" FLAT WASHER
HEX NUT	8	½"-13 HEX NUT

II. TOOL LIST

1. Basic tool set
2. ¾" wrench
3. ¾" socket
4. 15mm socket
5. 18mm socket

III. REMOVAL OF OEM BUMPER

1. Unplug fog lights, engine heater, and adaptive cruise control module if applicable.
2. Using 15mm socket, remove two bolts attaching bumper side brace to frame. (both sides)



2017-20XX, FORD, F250-550

- Using 18mm socket, remove eight bolts attaching the bumper to the frame. Remove bumper and set aside. It will not be reused.



- Using 18mm socket, remove four bolts attaching tow hook to frame. Set aside; it will not be reused. (both sides)

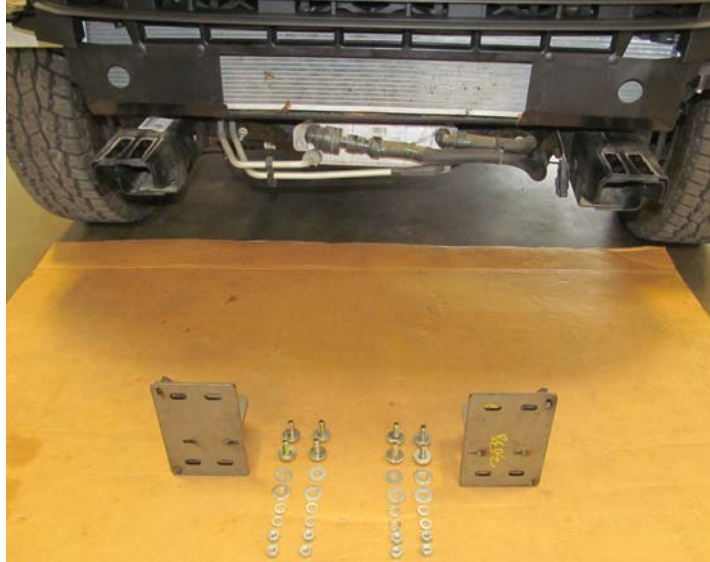


- Using 18mm socket, remove two nuts attaching underrun bracket to frame. Set aside; it will not be reused. (both sides) Bolt strips and nuts will be reused.



IV. INSTALLATION OF HAMMERHEAD BUMPER

1. Install winch and lights in bumper per manufacturer's recommendations.
2. Layout frame mounts and hardware from kit # 98.



3. Install frame mounts on frame with hardware from kit #98. Insert bolts from the top. Use bolt strips removed in step 5 to attach HH mount on outside of frame. Do not fully tighten.



4. Layout weldnut tab 5 and hardware from kit # 97 as shown.



5. Using a hoist or a few friends, attach bumper to frame mounts using hardware kit #97. Insert bolts from frame mount side and use weldnut tabs on inside of bumper. Start all bolts before aligning bumper. Align bumper a minimum of 3/8" below headlights. When truck flexes off-road, this distance allows your bumper and body to have clearance. Tighten all bolts on bumper and frame mount with 3/4" socket and wrench.



Congratulations! Your product installation is now complete.
Thank you for your purchase.