

2016-20XX CHEVY 1500

FRONT BUMPER INSTALLATION INSTRUCTIONS



SAFETY

Know safety, no injury. Know injury, no safety. ~Author Unknown

If there are any questions, call 1-855-HHTOUGH

- **READ ALL SAFETY INSTRUCTIONS BEFORE INSTALLATION**
 - FOLLOW ALL INSTRUCTIONS FOR PROPER ASSEMBLY
 - WEAR APPROPRIATE EYE PROTECTION
 - EXERCISE CARE WHEN LIFTING COMPONENTS
 - USE APPROPRIATE TORQUE FOR BOLTS
 - BLUE THREAD LOCKING COMPOUND IS RECOMMENDED ON ALL BOLTS

California Proposition 65



WARNING

Cancer and Reproductive Harm

www.P65Warnings.ca.gov

DO NOT PAINT OVER THIS LABEL. REPLACE IF DAMAGED OR LOST

DKB150_00



2016-20XX CHEVY 1500 FRONT

Suggested Torque Values For Steel Grade 5 Standard Bolts		
BOLT DIAMETER (INCH)	THREADS PER INCH	TORQUE (POUND - FEET)
1/4	20	7
5/16	18	14
3/8	16	25
7/16	14	40
1/2	13	60
9/16	12	88
5/8	11	120
3/4	10	200
7/8	9	302
1	8	466

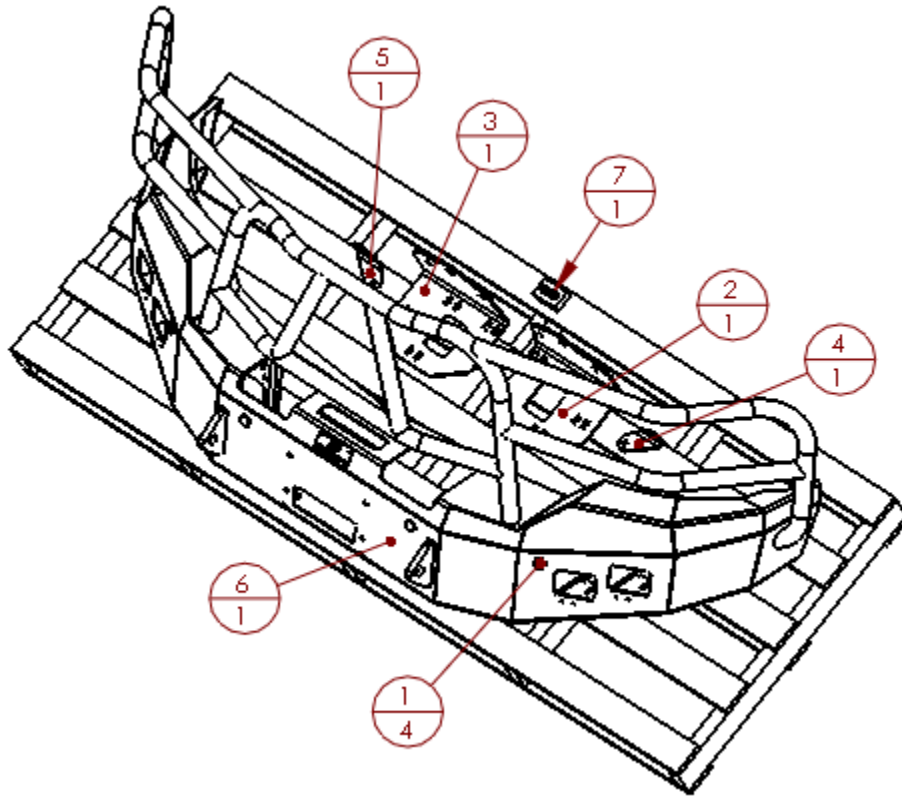
Suggested Torque Values For Steel Grade 8.8 Metric Bolts		
BOLT DIAMETER (mm)	THREAD PITCH (mm)	TORQUE (POUND- FEET)
6	1.0	7
8	1.25	16
10	1.5	32
12	1.75	55
14	2.0	88
16	2.0	140
18	2.5	195
20	2.5	275
22	2.5	375
24	3.0	475

I. PARTS LIST

ITEM NO.	QTY.	PART NUMBER	DESCRIPTION	
1	4	316-01-0005	1.25" PLUG BT-FLUSH LDPE BLACK	-
2	1	601-56-2153	PAINTED PASS FRAME MOUNT	-
3	1	601-56-2154	PAINTED DRIVER FRAME MOUNT	-
4	1	601-56-2155	PAINTED PASS LOWER FRAME MOUNT	-
5	1	601-56-2156	PAINTED DRIVER LOWER FRAME MOUNT	-
6	1	60A-56-0636	600-56-0636 ASSEMBLED	-
7	1	60K-56-0001	HARDWARE KIT #1	-



2016-20XX CHEVY 1500 FRONT



II. TOOL LIST

1. 10mm socket
2. 13mm socket
3. 15mm wrench
4. 18mm socket
5. 18mm wrench
6. 12" extension
7. Flathead screwdriver

III. REMOVAL OF OEM BUMPER

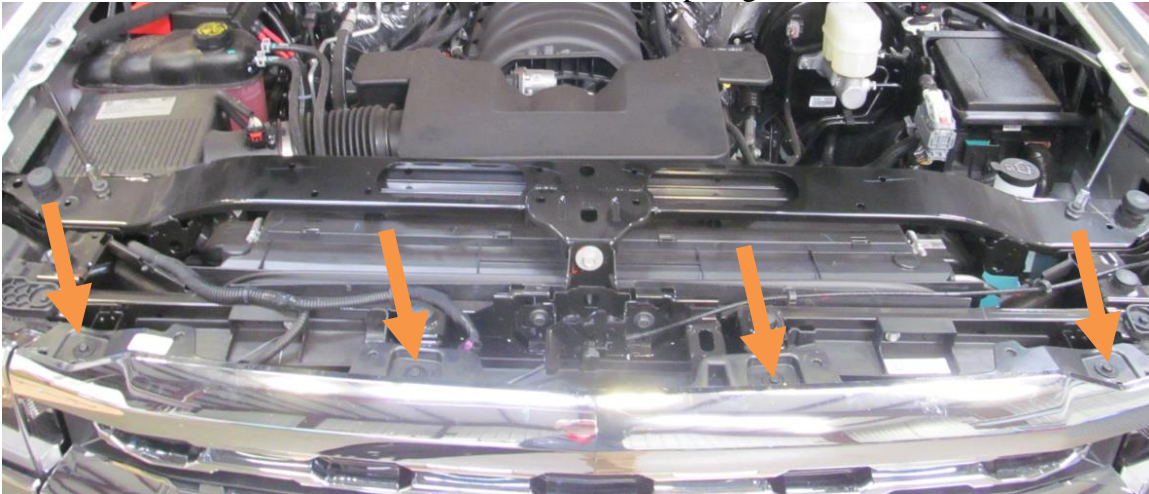
1. Open hood and remove 12 plastic clips. Remove plastic shroud and gently set aside, it will be reused.



2016-20XX CHEVY 1500 FRONT



2. Remove four screws on top of grill with 10mm socket.





2016-20XX CHEVY 1500 FRONT



3. Remove the grille. Do this by pulling out on the bottom on both sides to disengage tabs and then rotating the grill upwards. Gently set grill aside; it will be reused.

4. Unplug the OEM fog light and sensor wiring harness and place it on top of the factory skid plate out of the way.





2016-20XX CHEVY 1500 FRONT

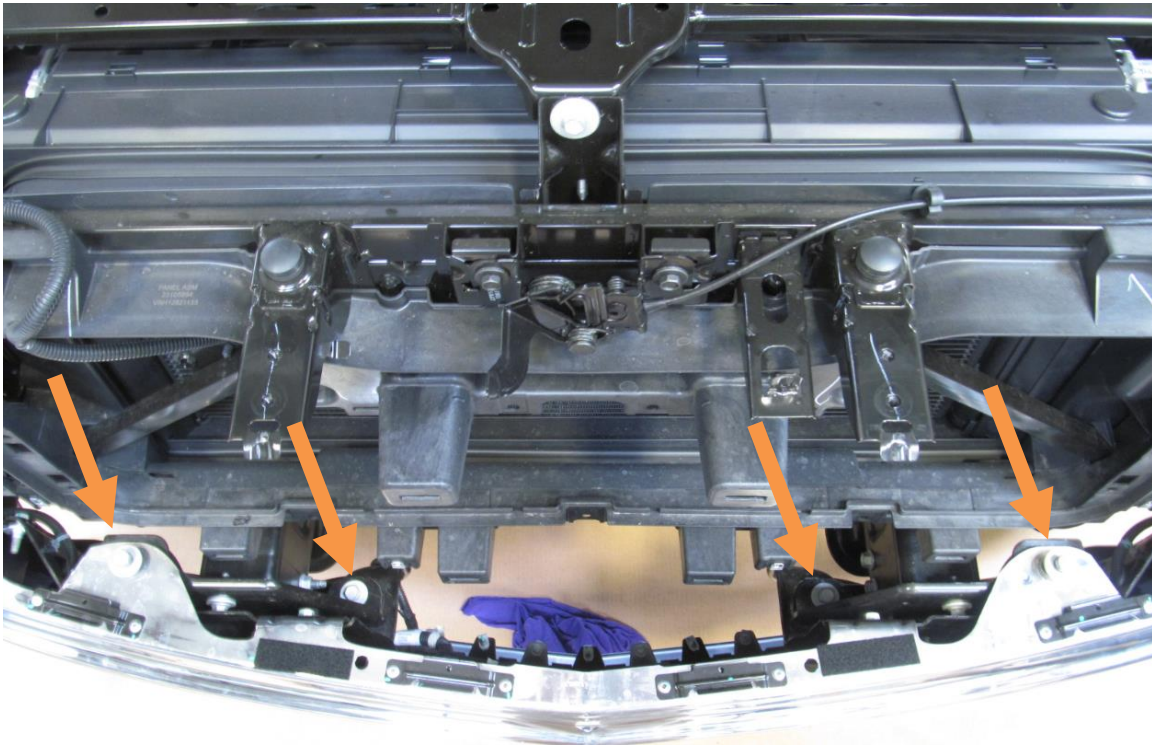
5. Remove three bolts from OEM side bumper support (in front of tires) with 15mm socket. (both sides)



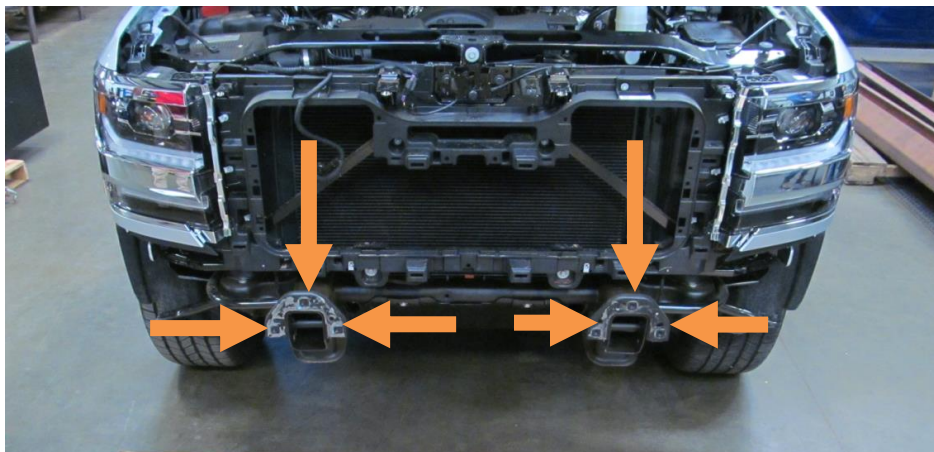
6. Remove four OEM bumper bolts with 18mm socket.



2016-20XX CHEVY 1500 FRONT



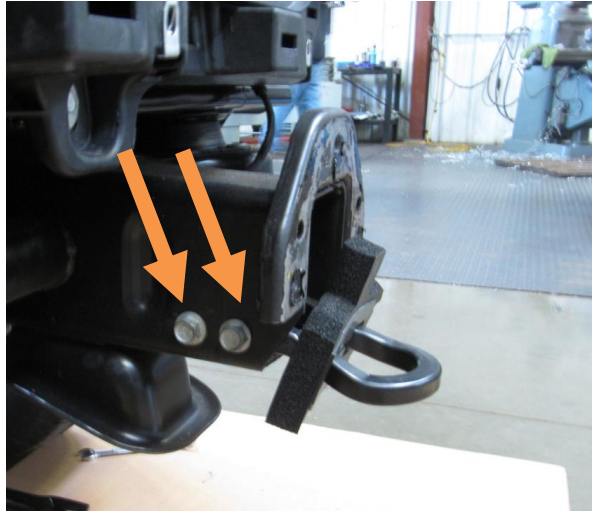
7. Remove OEM bumper and set aside.
8. Remove six bolts holding on OEM frame flanges to frame with 15mm socket. Set brackets aside.



9. Remove two bolts holding on OEM tow hooks with 18mm socket and wrench. (both sides) Set tow hooks aside.



2016-20XX CHEVY 1500 FRONT



10. Remove OEM sensors, grommets, and wiring harness from OEM bumper.

IV. **INSTALLATION OF HAMMERHEAD BUMPER**

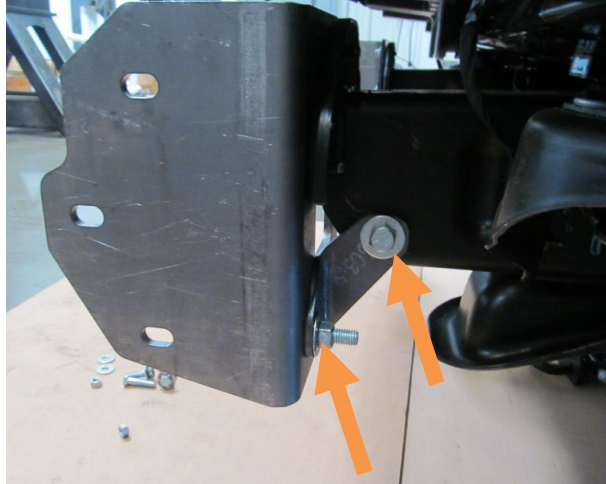
1. **Replace OEM grill at this time.**
2. Replace four bolts on top of grill with 10 mm socket.
3. Install Hammerhead frame mounts (601-56-2153 and 2154) with OEM hardware and loosely tighten. **USE TOP SLOTS FOR BOLTS**
The bumper's left to right adjustment will be done with these mounts.





2016-20XX CHEVY 1500 FRONT

4. Install Hammerhead lower frame mounts (601-56-2155 and 601-56-2156) and loosely tighten. Use OEM hardware for thru frame bolt and use two ½”-13 x 2” bolts, four flat washers, two lock washers and two nuts from Hardware kit #1 bolt for the lower bolts. (orange arrow).



5. Install and align Hammerhead bumper using six ½” -13 x 2” bolts, 12 flat washers, six lock washers and six nuts from Hardware Kit #1. Adjust bumper left to right and tighten OEM hardware on frame and lower mount bolt. Adjust bumper up and down and in and out then completely tighten all frame mount to bumper hardware.
6. Install OEM sensor grommets, sensors, and wiring in Hammerhead bumper.
7. If your vehicle is not equipped with sensors, install sensor plugs (316-01-0005) at this time.



Congratulations! Your installation is now complete.
Thank you for your purchase.