

# 2017-20XX, FORD, F250-550

## FRONT BUMPER INSTALLATION INSTRUCTIONS



## SAFETY

**Know safety, no injury. Know injury, no safety. ~Author Unknown**

If there are any questions, call 1-855-HHTOUGH

- **READ ALL SAFETY INSTRUCTIONS BEFORE INSTALLATION**
  - FOLLOW ALL INSTRUCTIONS FOR PROPER ASSEMBLY
  - WEAR APPROPRIATE EYE PROTECTION
  - EXERCISE CARE WHEN LIFTING COMPONENTS
  - USE APPROPRIATE TORQUE FOR BOLTS
  - BLUE THREAD LOCKING COMPOUND RECOMMENDED ON ALL BOLTS

California Proposition 65



**WARNING**

Cancer and Reproductive Harm

[www.P65Warnings.ca.gov](http://www.P65Warnings.ca.gov)

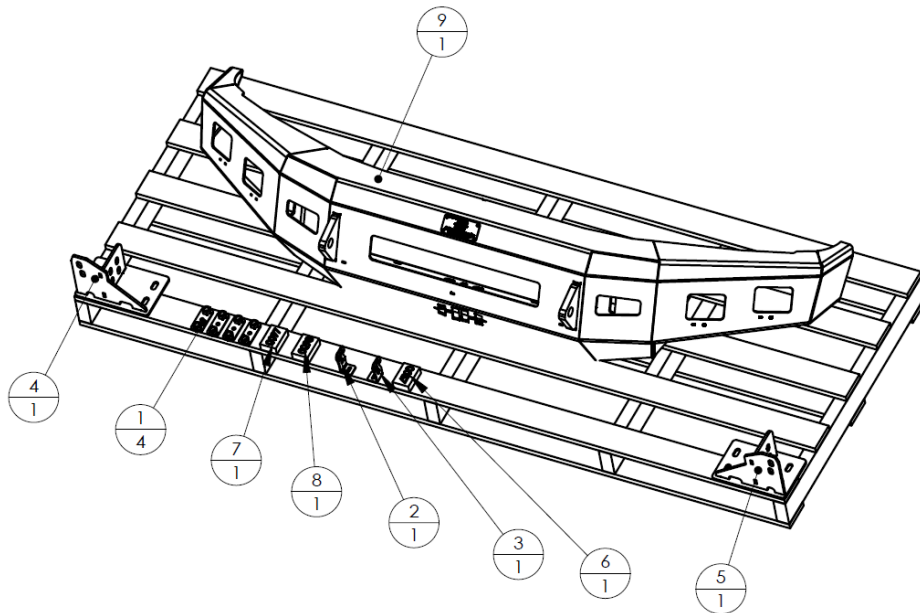
DO NOT PAINT OVER THIS LABEL. REPLACE IF DAMAGED OR LOST

DKB150\_00

Suggested Torque Values For Steel Grade 5 Standard Bolts		
BOLT DIAMETER (INCH)	THREADS PER INCH	TORQUE (POUND - FEET)
1/4	20	7
5/16	18	14
3/8	16	25
7/16	14	40
1/2	13	60
9/16	12	88
5/8	11	120
3/4	10	200
7/8	9	302
1	8	466

Suggested Torque Values For Steel Grade 8.8 Metric Bolts		
BOLT DIAMETER (mm)	THREAD PITCH (mm)	TORQUE (POUND-FEET)
6	1.0	7
8	1.25	16
10	1.5	32
12	1.75	55
14	2.0	88
16	2.0	140
18	2.5	195
20	2.5	275
22	2.5	375
24	3.0	475

**I. PARTS LIST**



ITEM NO.	QTY	PART NUMBER	DESCRIPTION	
1	4	601-56-0611	WELDNUT TAB 5	-
2	1	601-56-2958	RIGHT BAR MOUNT	-
3	1	601-56-2959	LEFT BAR MOUNT	-
4	1	601-56-3635	RIGHT FRAME MOUNT WELDMENT	-
5	1	601-56-3636	LEFT FRAME MOUNT WELDMENT	-
6	1	60K-56-0057	HARDWARE KIT #57	-
7	1	60K-56-0097	HARDWARE KIT #97	-
8	1	60K-56-0098	HARDWARE KIT #98	-
9	1	60P-56-0670 OR 0671	LOW PRO BUMPER	-

## II. TOOL LIST

1. Basic tool set
2. ¾" wrench
3. ¾" socket
4. 7/16" socket
5. 7/16" wrench
6. 15mm socket
7. 18mm socket

## III. REMOVAL OF OEM BUMPER

1. Unplug fog lights, engine heater, and adaptive cruise control module if applicable.
2. Using 15mm socket, remove two bolts attaching bumper side brace to frame. (both sides)



- Using 18mm socket, remove eight bolts attaching the bumper to the frame. Remove bumper and set aside. It will not be reused.



- Using 18mm socket, remove four bolts attaching tow hook to frame. Set aside; it will not be reused. (both sides)

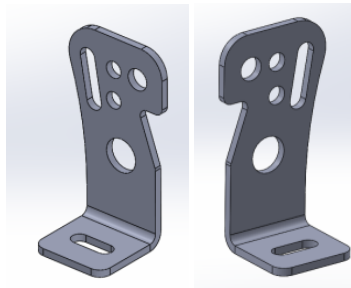


- Using 18mm socket, remove four nuts attaching underrun bracket to frame. Set aside; it will not be reused. One bolt strip and two nuts will be reused. (both sides)



#### IV. INSTALLATION OF HAMMERHEAD BUMPER

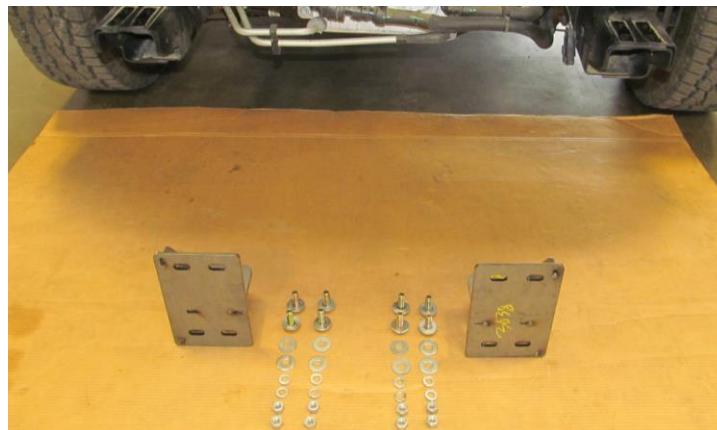
1. Install all lights in Hammerhead bumper at this time. Use included Bar mount brackets (601-56-2958 and 2959) and Hardware kit #57 to attach 20" bar in bumper to mount in bumper. Use hole in bracket and bumper that works best with your light bar. Tighten bolts from hardware kit #57 with 7/16" socket and wrench.



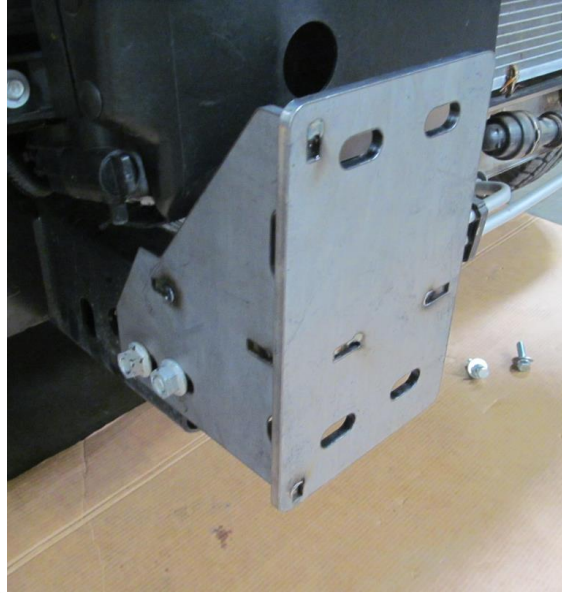
2958 and 2959 brackets



2. Layout frame mounts and hardware from kit # 98.



3. Install frame mounts on frame with hardware from kit #98. Insert bolts from the top. Use bolt strips removed in step 5 to attach HH mount on outside of frame. Do not fully tighten.



4. Layout weldnut tab 5 and hardware from kit # 97 as shown.



5. Using a hoist or a few friends, attach bumper to frame mounts using hardware kit #97. Insert bolts from frame mount side and use weldnut tabs on inside of bumper. Start all bolts before aligning bumper. Align bumper a minimum of 3/8" below headlights. When truck flexes off-road, this distance allows your bumper and body to have clearance. Tighten all bolts on bumper and frame mount with 3/4" socket and wrench.



Congratulations! Your product installation is now complete.  
Thank you for your purchase.