

2003-2012 CHEVY COLORADO

FRONT BUMPER INSTALLATION INSTRUCTIONS



SAFETY

Know safety, no injury. Know injury, no safety. ~Author Unknown

If there are any questions, call 1-855-HHTOUGH

- **READ ALL SAFETY INSTRUCTIONS BEFORE INSTALLATION**

- FOLLOW ALL INSTRUCTIONS FOR PROPER ASSEMBLY
- WEAR APPROPRIATE EYE PROTECTION
- EXERCISE CARE WHEN LIFTING COMPONENTS
- USE APPROPRIATE TORQUE FOR BOLTS
- BLUE THREAD LOCKING COMPOUND IS RECOMMENDED ON ALL BOLTS

- SUGGESTED TORQUE VALUES FOR STEEL GRADE SAE 5 BOLTS

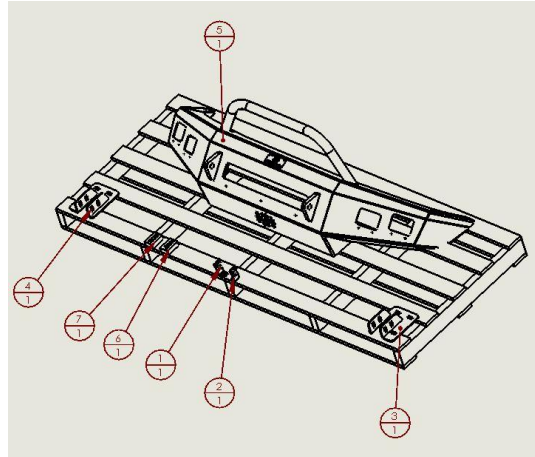
BOLT DIAMETER (INCH)	TREADS PER INCH	TORQUE (POUND-FEET)
1/4	20	7
5/16	18	14
3/8	16	25
7/16	14	40
1/2	13	60
9/16	12	88
5/8	11	120
3/4	10	200
7/8	9	302
1	8	466



2003-2012 CHEVY COLORADO FRONT

I. PARTS LIST

ITEM NO.	QTY	PART NUMBER	DESCRIPTION
1	1	601-56-2958	RIGHT BAR MOUNT
2	1	601-56-2959	LEFT BAR MOUNT
3	1	601-56-4124	RIGHT FRAME MOUNT WELDMENT
4	1	601-56-4125	LEFT FRAME MOUNT WELDMENT
5	1	60A-56-0678	LOW PRO PRERUNNER
6	1	60K-56-0057	HARDWARE KIT #57
7	1	60K-56-0132	HARDWARE KIT #132



II. TOOL LIST

1. 15mm socket
2. 18mm socket
3. 18mm wrench
4. 3/4" socket
5. 3/4" wrench
6. Flathead screwdriver

III. REMOVAL OF OEM BUMPER

1. Open hood and unplug the blinker light harness (both sides)





2003-2012 CHEVY COLORADO FRONT

2. Next locate the 11 clips that hold the grill on the truck. Using a flat head screwdriver, disengage the clips and pull the grill away from the front of the truck. This will allow access to 4 of the OE bumper bolts. Gently set the grill to the side, it will be re-used.



3. Locate the 2 bolts underneath the truck that hold the bumper to the truck. Using a 15mm socket, remove these bolts. (both sides)



4. Unplug the OE fog light harness (both sides)



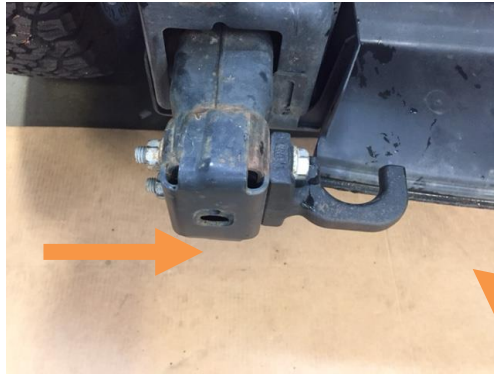


2003-2012 CHEVY COLORADO FRONT

5. Using an 15mm socket, remove the 2 OE bolts along the top of the bumper that attach the bumper to the truck (both sides)



6. Remove the OE bumper and set aside
7. Using an 18mm socket and wrench, remove the OE tow hooks. Set the tow hooks to the side, but keep the OE bolts and nuts, they will be used again. (both sides)



IV. INSTALLATION OF HAMMERHEAD BUMPER

1. **Replace OEM grill at this time.**
2. If you have lights for this bumper, install the lights now.
3. Layout frame mounts and OE tow hook hardware as shown:





2003-2012 CHEVY COLORADO FRONT

4. Install Hammerhead frame mounts (601-56-4124 and 4125) with OE tow hook hardware and loosely tighten.

The bumper's forward and backward adjustment will be done with these mounts.



5. Using 6 carriage head bolts and 6 push nuts from Hardware kit #132, install bolts and push nuts in the slots in the bumper.



6. Have a friend help you pick up the bumper and install it on the truck. Hand-tighten the nuts onto the bolts. Align bumper a minimum of 1/4" below headlights. When the truck flexes off-road, this distance allows your bumper and body to have clearance. Tighten down all bolts to specs on page 1.



Congratulations! Your installation is now complete.
Thank you for your purchase.