

INSTALLATION INSTRUCTIONS

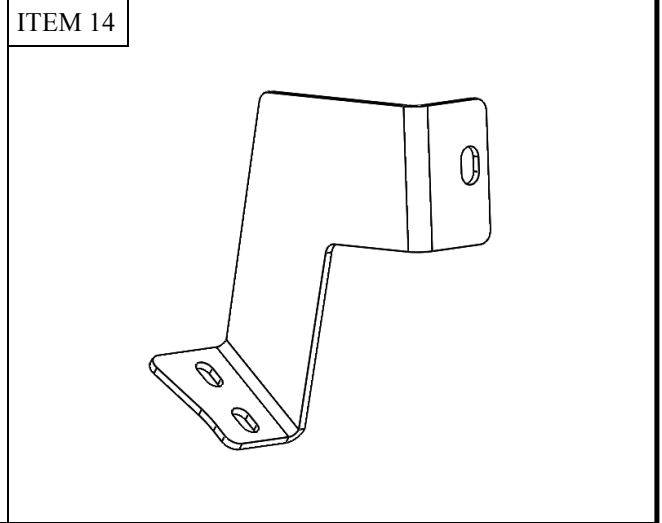
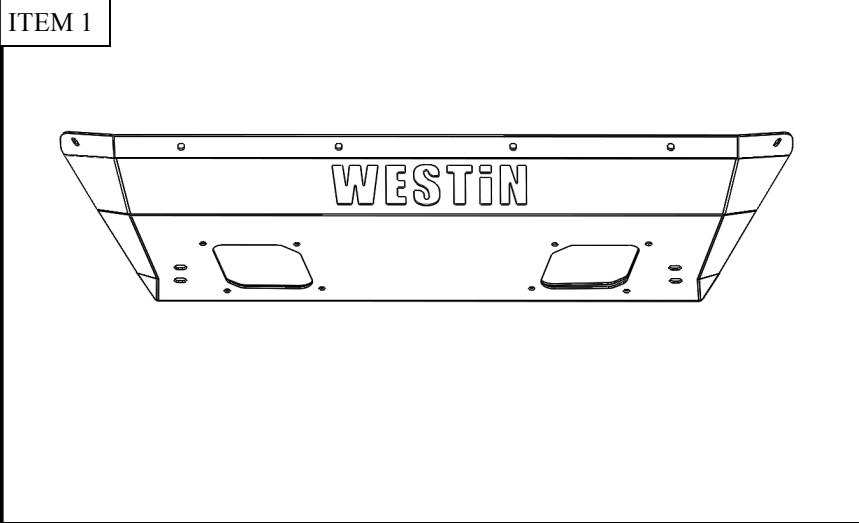
PRO-MOD SKID PLATE



APPLICATION:
2016-2019 Toyota Tacoma
PART NUMBER:
58-72005

| CONTENT | | | |
|---------|----------|----------------------------|---------------|
| ITEM | QUANTITY | DESCRIPTION | TOOLS NEEDED |
| 1 | 1 | SKID PLATE | 10MM SOCKET |
| 2 | 4 | M8 U-CLIP | 17MM WRENCH |
| 3 | 4 | M10 BUTTON HEAD BOLT | RATCHET |
| 4 | 4 | M10 FLAT WASHER | TORQUE WRENCH |
| 5 | 4 | M10 SERRATED FLANGE NUT | ALLEN WRENCH |
| 6 | 6 | M8 BUTTON HEAD BOLT | 13MM WRENCH |
| 7 | 8 | M8 FLAT WASHER | |
| 8 | 6 | M8 SPLIT LOCK WASHER | |
| 9 | 2 | M8 SERRATED FLANGE NUT | |
| 10 | 8 | M6 BUTTON HEAD BOLTS | |
| 11 | 16 | M6 FLAT WASHER | |
| 12 | 8 | M6 SERRATED FLANGE NUT | |
| 13 | 4 | M6 SPLIT LOCK WASHER | |
| 14 | 1 | DRIVER MOUNTING BRACKET | |
| 15 | 1 | PASSENGER MOUNTING BRACKET | |
| 16 | 1 | DRIVER MESH COVER PLATE | |
| 17 | 1 | PASSENGER MESH COVER PLATE | |

ANTI-SEIZE LUBRICANT MUST BE USED ON ALL STAINLESS STEEL FASTENERS TO PREVENT THREAD DAMAGE AND GALLING

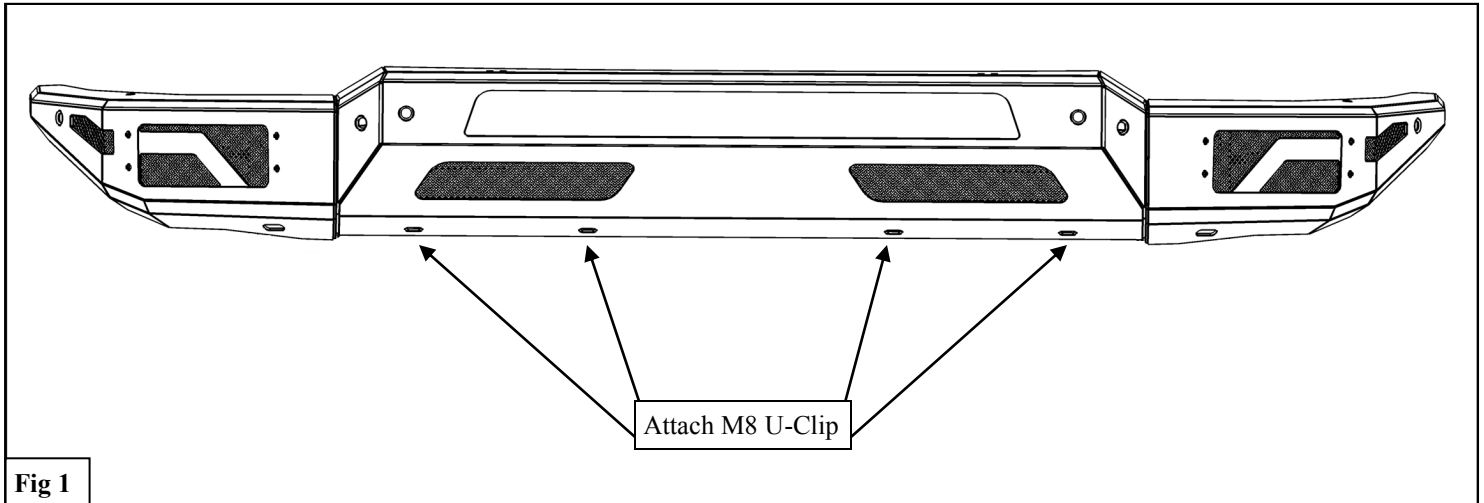


WESTiN Westin Automotive Products, Inc.
320 W. Covina Blvd
San Dimas, Ca. 91773

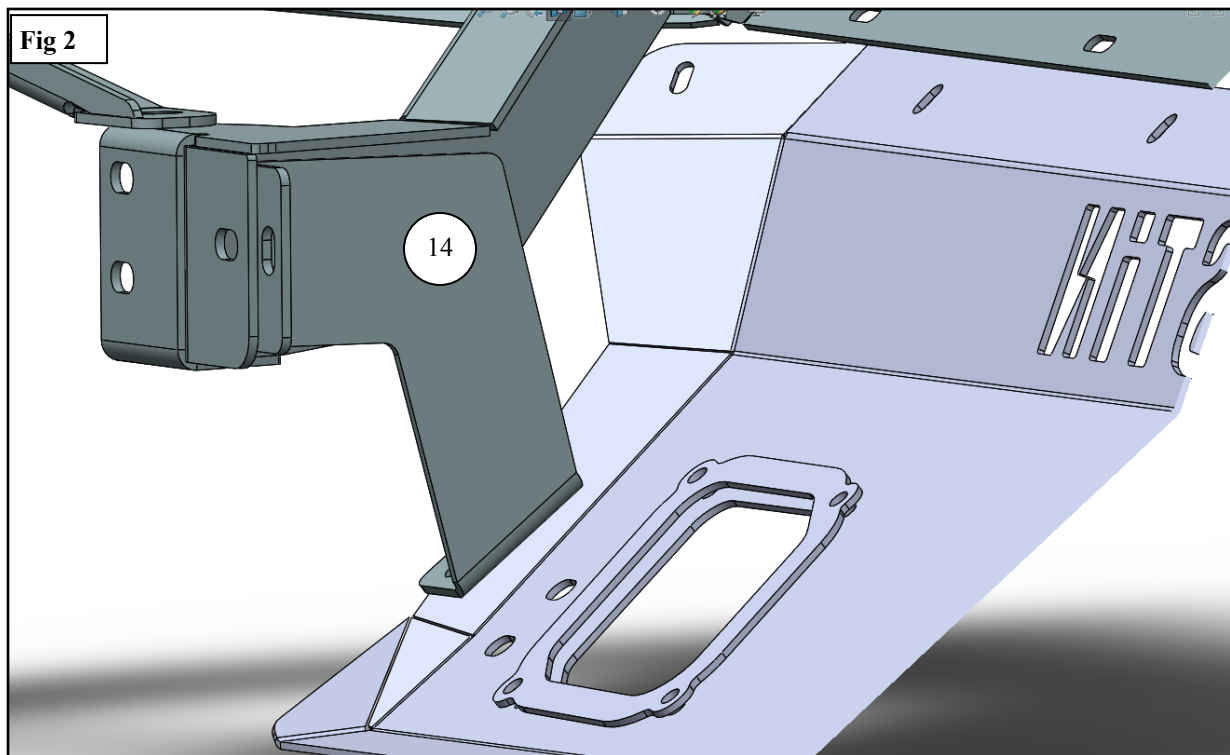
Thank you for choosing Westin products
for additional installation assistance please call
Customer Service (800) 793-7846
www.westinautomotive.com

PROCEDURE

1. Remove contents from box, verify if all parts listed are present and free from damage.
Carefully read and understand all instructions before attempting installation.
Failure to identify damage before installation could lead to a rejection of any claim.
2. Attach the M8 U-Clips (2) to the pre-installed Pro-Mod Bumper (sold separately) in the locations shown in **Figure 1**.



3. Attach the skid plate brackets (14-15) to the Pro Mod Bumper Brackets using the existing hardware in that spot. See **Figure 2**.



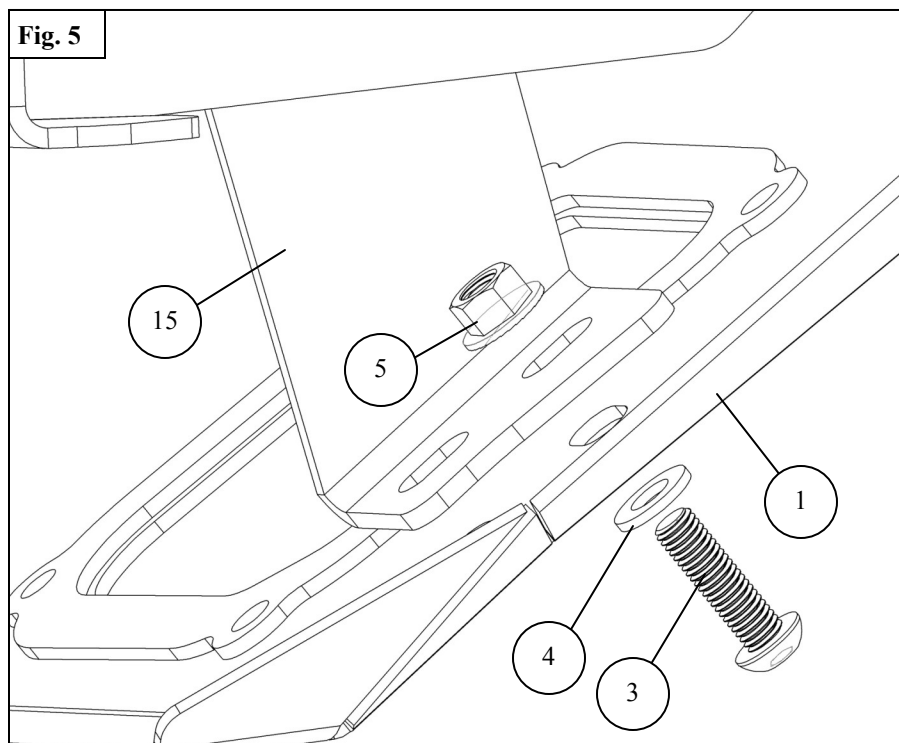
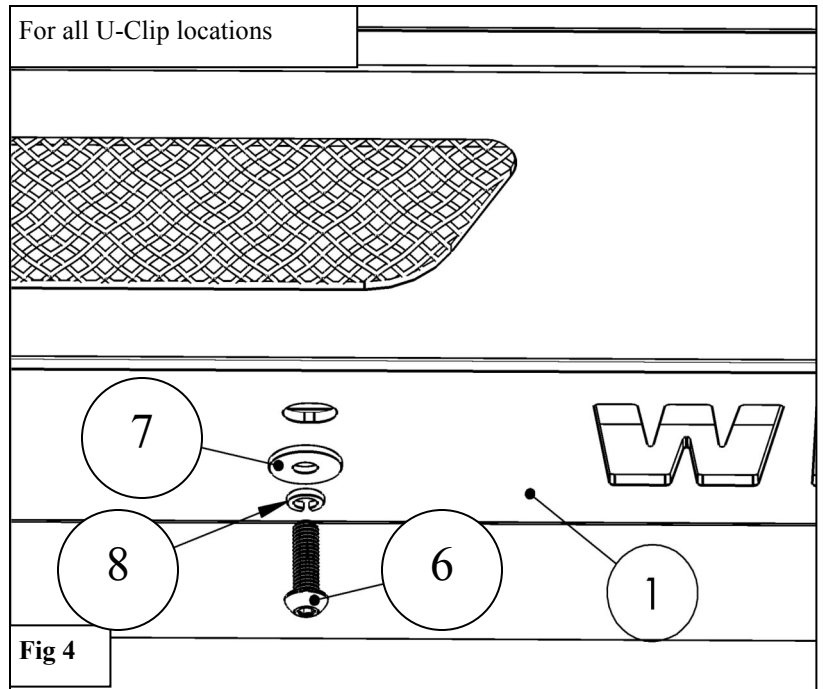
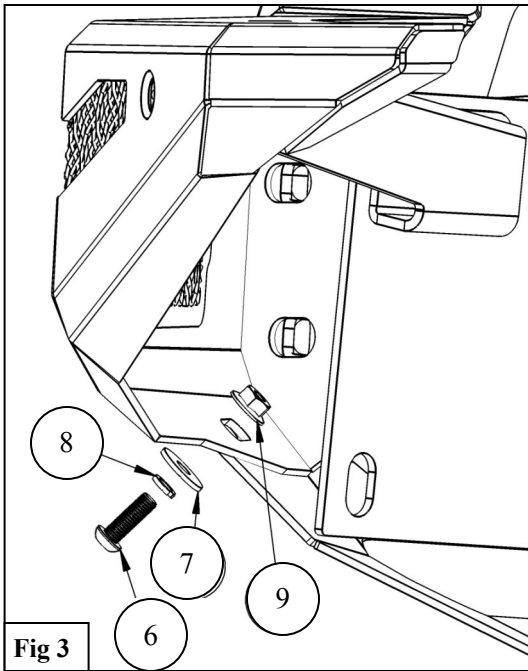
WESTIN

Westin Automotive Products, Inc.
320 W. Covina Blvd
San Dimas, Ca. 91773

Thank you for choosing Westin products
for additional installation assistance please call
Customer Service (800) 793-7846

www.westinautomotive.com

3. Lift the Skid Plate (1) into place and secure it using the supplied M8 and M10 Hardware. See **Figures 3-5**.



4. Install the mesh cover plates using supplied M6 hardware. *Note: This is now the access point for your factory tow hooks.*
5. Align and tighten all hardware as specified: M6 to 7 ft-lbs, M8 to 18 ft-lbs, M10 to 35 ft-lbs.

INSTALLATION COMPLETE



Bumper and Lights sold separately

RIGHTS RESERVED

CARE INSTRUCTIONS

- REGULAR WAXING IS RECOMMENDED. DO NOT USE ANY TYPE OF POLISH OR WAX THAT MAY CONTAIN ABRASIVES.
- STAINLESS STEEL PRODUCTS CAN BE CLEANED WITH MILD SOAP AND WATER. STAINLESS STEEL POLISH SHOULD BE USED TO POLISH SMALL SCRATCHES.
- GLOSS BLACK FINISHES SHOULD BE CLEANED WITH MILD SOAP AND WATER

WESTIN Westin Automotive Products, Inc.
320 W. Covina Blvd
San Dimas, Ca. 91773

Thank you for choosing Westin products
for additional installation assistance please call
Customer Service (800) 793-7846

www.westinautomotive.com



WARNING



Failure to follow these instructions could lead to death, personal injury, and / or property damage.

Failure to follow these instructions could lead to death, personal injury, and / or property damage.

FASTENERS:

All Westin supplied fasteners must be utilized and installed in accordance with the installation instructions and apply torque to the specifications as defined. **DOUBLE CHECK ALL FASTENERS BEFORE INITIAL USE, AND PERIODICALLY IN THE FUTURE TO ENSURE PROPER FUNCTION AND SAFETY.**

DRILLING:

Most Westin products do not require drilling for installation. If drilling is defined as required, use caution when drilling a vehicle. **FAILURE TO REVIEW AN AREA TO BE DRILLED MAY RESULT IN PERSONAL INJURY AND/OR INJURY TO OTHERS AS WELL AS VEHICLE DAMAGE.**

EYE PROTECTION:

ALWAYS WEAR SAFETY GLASSES OR GOGGLES DURING THE INSTALLATION PROCESS TO AVOID PERSONAL INJURY.

MAXIMUM TOWING/CARRYING CAPACITY: (if applicable)

The Westin Receiver Hitches will have a visible tow rating label affixed directly on the product. User should never exceed the vehicle manufacturers maximum tow and weight rating regardless of the capacity of the hitch. **FAILURE TO FOLLOW THESE GUIDELINES WILL VOID THE WESTIN WARRANTY AND MAY RESULT IN PERSONAL INJURY AND/OR INJURY TO OTHERS AS WELL AS VEHICLE DAMAGE.**

FOR CALIFORNIA RESIDENTS ONLY-PROP 65 WARNING:

Some products may contain chemicals such as DEHP, which can cause cancer, birth defects or other reproductive harm. For more info go to www.p65warnings.ca.gov



Westin Automotive Products, Inc.
320 W. Covina Blvd
San Dimas, Ca. 91773