



# INSTALLATION INSTRUCTIONS

## ASCENT REAR BUMPER

Part Number: 96640

Application: Dodge Ram 1500, 2500, 3500 2015+

### GENERAL SAFETY PRECAUTIONS

Your safety, and the safety of others, is very important. To help you make informed decisions about safety, we have provided installation and operating instructions and other information on labels and in this guide. This information alerts you to potential hazards that could hurt you or others. It is not possible to warn you about all potential hazards associated with this product, you must use your own good judgment.

**CARELESS INSTALLATION AND OPERATION CAN RESULT IN SERIOUS INJURY OR EQUIPMENT DAMAGE. READ AND UNDERSTAND ALL SAFETY PRECAUTIONS AND OPERATING INSTRUCTIONS BEFORE INSTALLING AND OPERATING THIS PRODUCT.**

This guide identifies potential hazards and has important safety messages that help you and others avoid personal injury or death. **WARNING** and **CAUTION** are signal words that identify the level of hazard. These signal words mean:

**▲WARNING** signals a hazard that could cause serious injury or death, if you do not follow recommendations. **▲CAUTION** signals a hazard that may cause minor to moderate injury, if you do not follow recommendations.

This guide uses **NOTICE** to call attention to important mechanical information, and **Note:** to emphasize general information worthy of special attention.

### ▲ WARNING

#### IMPACT AND MOVING PARTS ENTANGLEMENT HAZARD

Failure to observe these instructions could lead to severe injury or death

- **Always** take time to fully read the Instructions and/or Operations Guide, and/or Basic Guide to Winching Techniques, in order to understand your winch and its operations.
- **Always** use extreme caution when drilling on any vehicle. Make sure that all fuel lines, brake lines, electrical wires, and other objects are not punctured or damaged when/if drilling on the vehicle. Thoroughly inspect the area to be drilled (on both sides of material) prior to drilling, and relocate any objects that may be damaged. Failure to inspect the area to be drilled may result in vehicle damage, electrical shock, fire or personal injury.
- **Always** wear safety glasses when installing this kit. A drilling operation will cause flying metal chips. Flying chips can cause eye injury.
- **Always** use extreme caution when cutting and trimming during fitting.
- **Always** remove jewelry and wear eye protection.
- **Never** lean over battery while making connections.
- **Never** route electrical cables:
  - o Across any sharp edges.
  - o Through or near moving parts.
  - o Near parts that become hot.
- **Always** insulate and protect all exposed wiring and electrical terminals.
- **Always** install terminal boots as directed in installation instructions.
- **Always** use appropriate and adequate care in lifting components into place.
- **Always** insure components will remain secure during installation and operation.
- **Always** tighten all nuts and bolts securely, per the installation instructions.
- **Always** perform regular inspections and maintenance on the plow mechanism, fasteners, cable and related hardware.
- **Always** replace all worn or damaged parts before operating.
- **Never** operate this WARN product with damaged or missing parts.

Read installation and operating instructions thoroughly.

WARN INDUSTRIES, INC. 12900 S.E. Capps Road,  
Clackamas, OR USA 97015-8903, 1-503-722-1200, FAX: 1-503-722-3000  
Customer Service: 1-800-543-9276  
Dealer Locator Service: 1-800-910-1122  
International Fax: 1-503-722-3005

## ⚠ CAUTION

### MOVING PARTS ENTANGLEMENT HAZARD

Failure to observe these instructions could lead to minor or moderate injury

- **Always** take time to fully read and understand the installation and Operations Guide included with this product.
- **Never** operate this product if you are under 16 years of age.
- **Never** operate this product when under the influence of drugs, alcohol or medications.

Read installation and operating instructions thoroughly.

## NOTICE

### EQUIPMENT DAMAGE

- **Always** refer to the Installation and Specification Guide, supplied in the winch kit, for all wiring schematics and specific details on how to wire this WARN product to your vehicle.

Read installation and operating instructions thoroughly.

## BEFORE YOU BEGIN

## NOTICE



This product may interfere with driver assist systems such as adaptive cruise control and parking assist systems that have sensors or cameras installed in the bumpers or front grill area. If your vehicle is equipped with any of these systems or features, consult your vehicle owner's manual before installing this product. These systems may need to be disabled as a result of installing this product.

## TABLE OF CONTENTS

Tools Required.....	page 2
Torque Specifications.....	page 2
Parts List.....	page 3
Installation.....	page 4-8
Maintenance/Care.....	page 8

## TOOLS REQUIRED

- Standard wrenches
- Standard sockets

## TORQUE SPECIFICATIONS

Please use the recommended torque specifications when assembling this product unless otherwise specified in the instructions.

FASTENER SIZE	FASTENER TORQUE		FASTENER SIZE	FASTENER TORQUE	
	lb-ft	(N.m)		lb-ft	(N.m)
1/4"	8	(11)	M4	(2)	3
5/16"	17	(23)	M5	(4.5)	6
3/8"	30	(40)	M6	(7.5)	10
7/16"	48	(66)	M8	(18)	25
1/2"	74	(100)	M10	(37)	50
9/16"	106	(144)			
5/8"	148	(200)			
3/4"	269	(364)			

# PARTS LIST

## Ram 1500

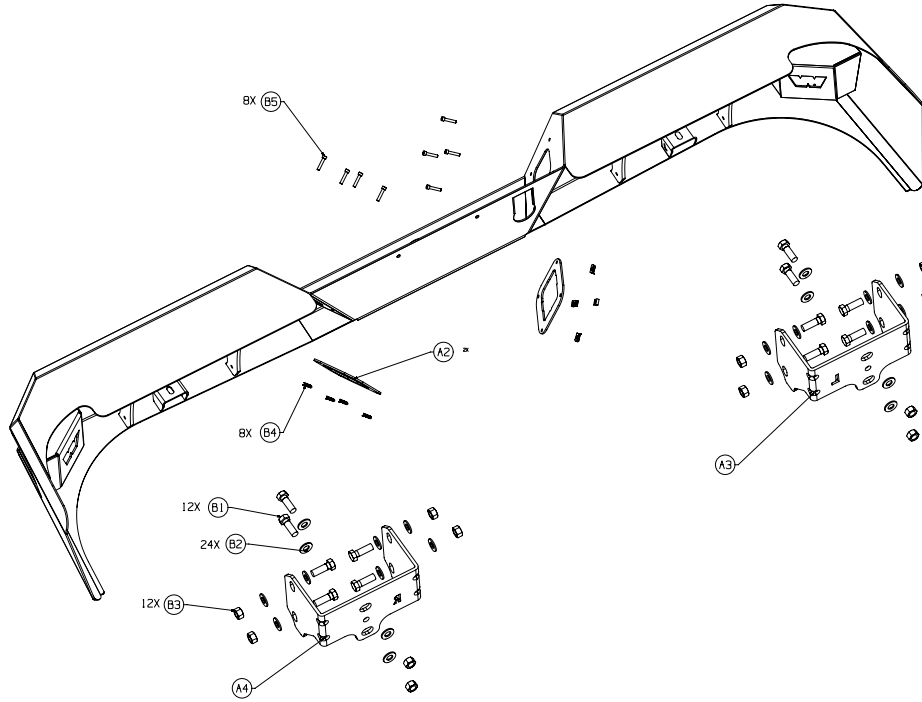
ITEM	PART NO.	DESCRIPTION	QTY
A1	96415	BUMPER WELDMENT	1
A2	96581	LICENSE PLT LAMP MTG PLT	2
A3	96431	FRAME MTG BRKT LH	1
A4	96432	FRAME MTG BRKT RH	1
A5	96285	LIGHT BEZELS	2

## Ram 2500/3500

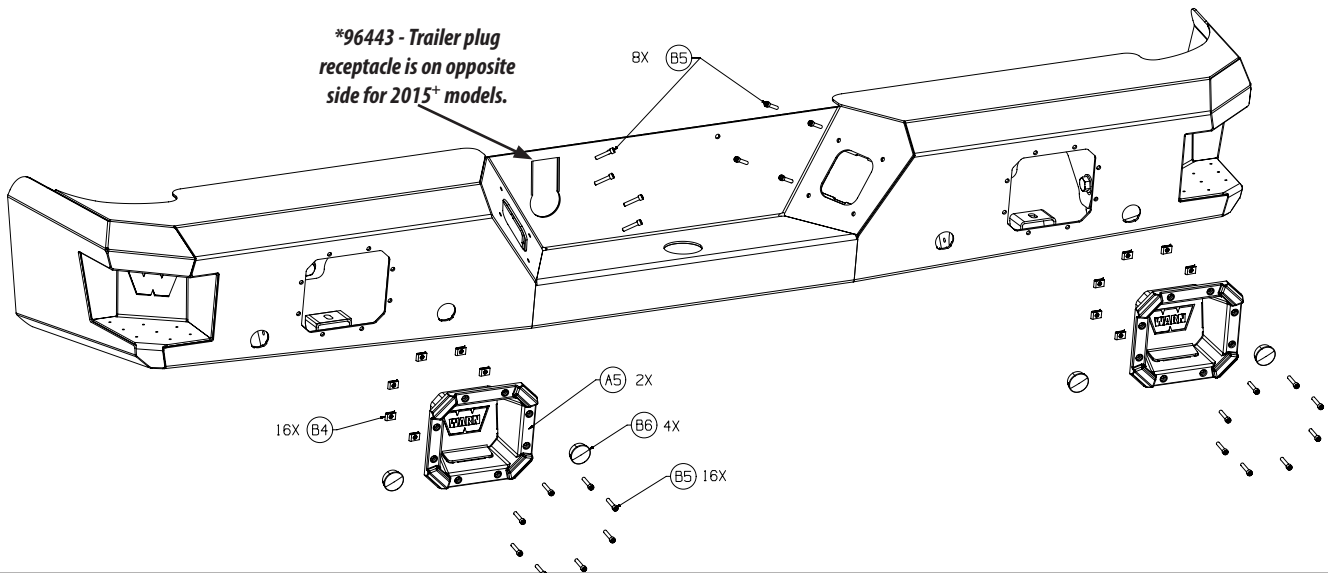
ITEM	PART NO.	DESCRIPTION	QTY
A1	96443*	BUMPER WELDMENT	1
A2	96581	LICENSE PLT LAMP MTG PLT	2
A3	96431	FRAME MTG BRKT LH	1
A4	96432	FRAME MTG BRKT RH	1

## Ram 1500,2500 AND 3500

ITEM	PN	DESCRIPTION	QTY
B1	6818	HEX HEAD BOLT 1/2-13	12
B2	9213	1/2 FLAT WASHER	24
B3	29060	1/2 LOCK NUT	12
B4	73665	U-CLIP NUT	24
B5	91541	10-24 STAINLESS BOLT	24
B6	96546	PLASTIC PLUG	4
B7	13231	12IN. ZIP TIES	12



**\*96443 - Trailer plug receptacle is on opposite side for 2015+ models.**



# INSTALLATION INSTRUCTIONS

1. Remove license plate.



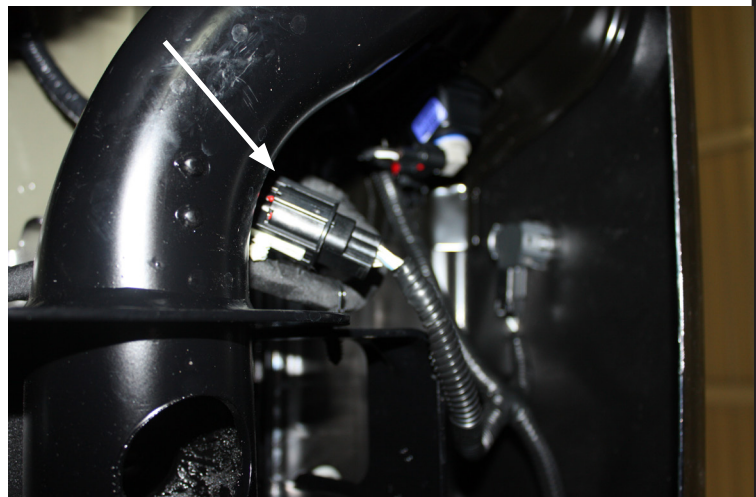
*Figure 1*

2. Disconnect trailer wire harness located under vehicle, between the spare tire and rear bumper.



*Figure 2*

3. From underneath vehicle, unplug electrical harness.



*Figure 3*

# INSTALLATION INSTRUCTIONS

4. Unplug license plate lamp harness.

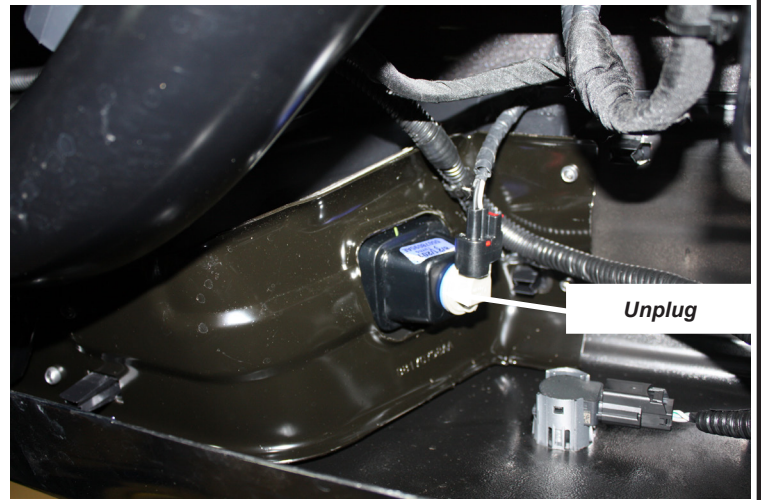


Figure 4

5. Remove the outer bumper bracket bolts (both sides).

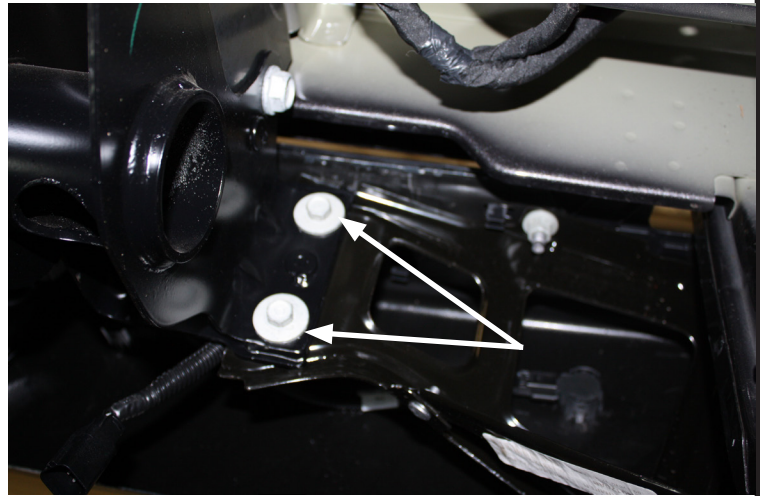


Figure 5

6. Remove the two bolts from the center of the bumper (where license plate was).

## **CAUTION**

- Always use assistance when moving or lifting heavy parts.

7. With assistance, remove bumper and set aside carefully.



Figure 6

8. Remove the trailer harness receptacle, by squeezing the two tabs together and push outward.
9. Remove license plate lamp, by pulling up on the slide clip and the lamp will fall out.
10. If vehicle is equipped with vehicle rear sensors, remove now. NOTE: Take care when removing, as you will reinstall in new bumper in same orientation. See Figures 7, 8 and 9.

**NOTE:** The sensor unclips from the sensor retainer, then the retainer unclips from the bumper.

**NOTE:** Take care when removing, as you will reinstall sensors in new bumper in same orientation. The sensors are keyed to only slip into a specific hole in bumper.

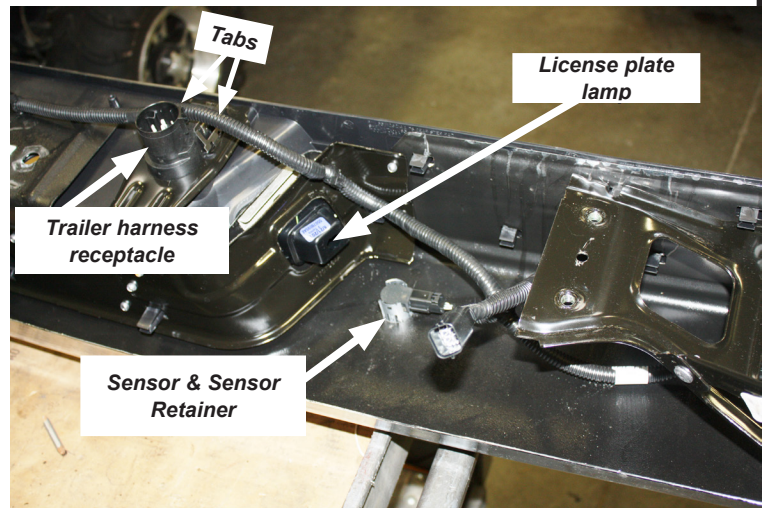


Figure 7

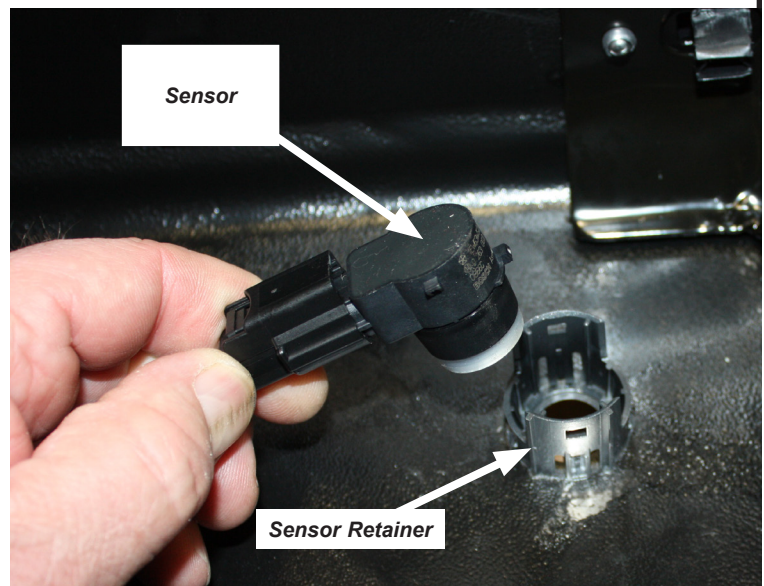


Figure 8



Figure 9

11. Remove the rest of the exterior components from stock bumper that will be used on new bumper.

You are now ready to install your new bumper.

**NOTE:** On Hemi models, you can either remove the exhaust tips or just loosen the clamp and angle tips downward. Once the new bumper is on, you can adjust the angle and retighten the clamps.



Figure 10

12. Install the left and right hand bumper mounting brackets. Do not tighten at this time. See Figures 11 and 12. **NOTE:** The brackets are marked left and right hand.



Figure 11

**CAUTION**

- Always use assistance when moving or lifting heavy parts.

13. With assistance:
- a. Slide bumper onto brackets.
  - b. Install mounting hardware (loosely). Refer to page 3.
  - c. Center bumper.
  - d. **Tighten all hardware.**

**NOTE:** Make sure to check for tailgate clearance height and adjust bumper up and down for the appropriate clearance.

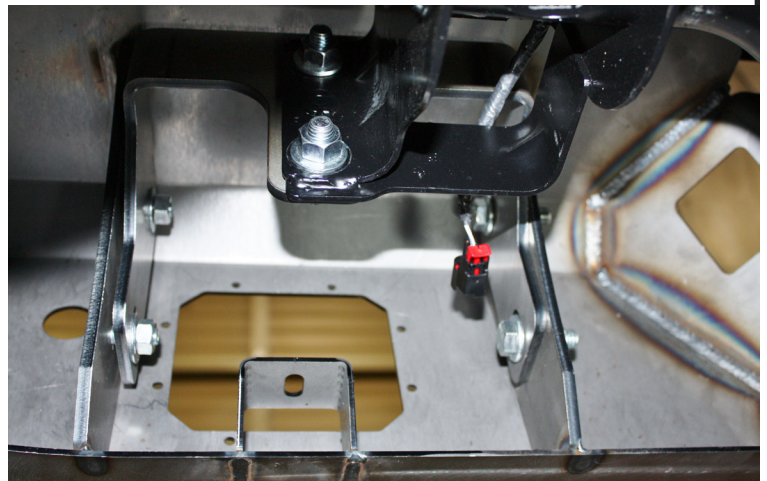


Figure 12

14. Install the stock sensor retainers and sensors into new bumper. *Remember, the retainers will only fit in their specific hole.*

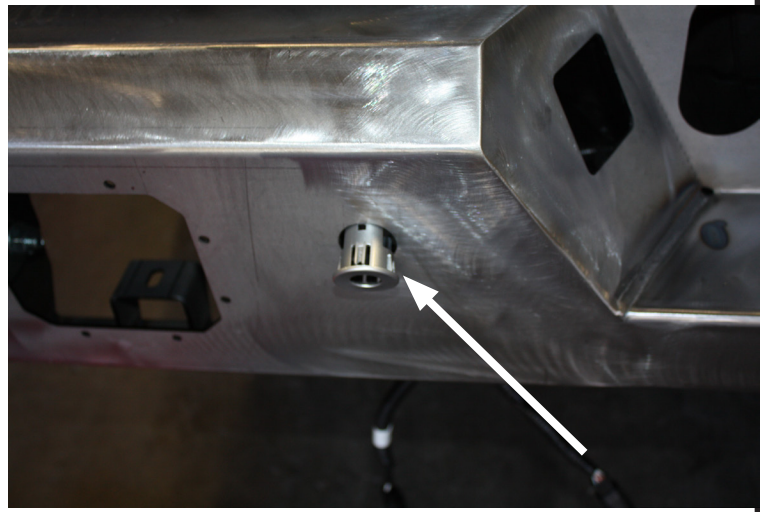


Figure 13

15. Install trailer hitch receptacle by pushing firmly into its designated hole in new bumper.



Figure 14

16. Install four u-clip nuts (B4) to license lamp mounting plate (A2). Refer to page 3 exploded view.
17. Insert the stock license lamp into the license lamp mounting plate (A2), making sure it is in the same orientation as it was removed off your vehicle.



Figure 15



18. Install license lamp mounting plate assembly to bumper using four stainless bolts (B5).

**NOTE:** *The license lamp will be sandwiched between the plate and the bumper. Make sure the lamp housing is centered in the bumper opening before tightening down. Do not over torque fasteners (2-4 ft. lbs.) this may cause housing to crack.*



Figure 16

19. Install the wire harness, sensor retainers, sensors and light bezels using hardware provided. Refer to page 3.

**NOTE:** *If your vehicle is not equipped with rear sensors, use the supplied plastic plugs to insert in bumper.*

20. Feed the wire harness along backside of the bumper and fasten up and out of the way with the zip ties provided.

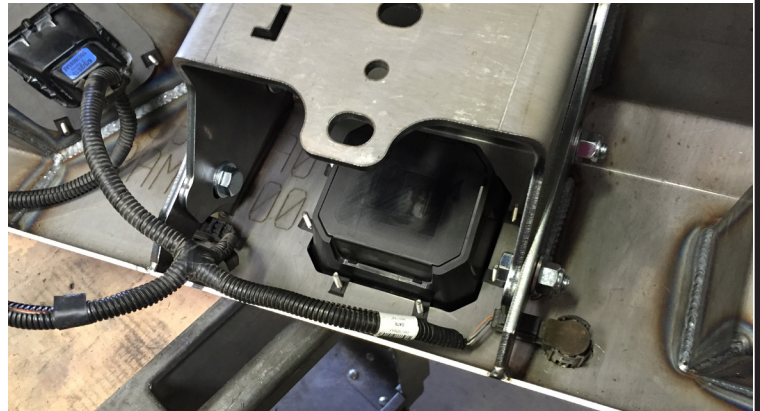


Figure 17

21. Installation is now complete.



Figure 18

## MAINTENANCE / CARE

1. Inspect all parts on the winch, winch mount, and related hardware prior to each use. Replace all hardware that appears rusted or deformed.
2. Inspect all nuts and bolts on the winch, winch mount and related hardware prior to each use. Tighten all nuts that appear to be loose. Stripped, fractured, or bent bolts or nuts need to be replaced.
3. Check all cables prior to use. Replace cables that look worn or frayed.
4. Check all moving or rotating parts. Remove debris that may inhibit the part from moving freely.