



INSTALLATION INSTRUCTIONS

Ascent Rear Bumper

Part Number: 98054

Application: 2016+ Toyota Tacoma

GENERAL SAFETY PRECAUTIONS

Your safety, and the safety of others, is very important. To help you make informed decisions about safety, we have provided installation and operating instructions and other information on labels and in this guide. This information alerts you to potential hazards that could hurt you or others. It is not possible to warn you about all potential hazards associated with this product, you must use your own good judgment.

CARELESS INSTALLATION AND OPERATION CAN RESULT IN SERIOUS INJURY OR EQUIPMENT DAMAGE. READ AND UNDERSTAND ALL SAFETY PRECAUTIONS AND OPERATING INSTRUCTIONS BEFORE INSTALLING AND OPERATING THIS PRODUCT.

This guide identifies potential hazards and has important safety messages that help you and others avoid personal injury or death. **WARNING** and **CAUTION** are signal words that identify the level of hazard. These signal words mean:

▲WARNING signals a hazard that could cause serious injury or death, if you do not follow recommendations. **▲CAUTION** signals a hazard that may cause minor to moderate injury, if you do not follow recommendations.

This guide uses **NOTICE** to call attention to important mechanical information, and **Note:** to emphasize general information worthy of special attention.

▲ WARNING

IMPACT AND MOVING PARTS ENTANGLEMENT HAZARD

Failure to observe these instructions could lead to severe injury or death

- **Always** take time to fully read the Instructions and/or Operations Guide, and/or Basic Guide to Winching Techniques, in order to understand your winch and its operations.
- **Always** use extreme caution when drilling on any vehicle. Make sure that all fuel lines, brake lines, electrical wires, and other objects are not punctured or damaged when/if drilling on the vehicle. Thoroughly inspect the area to be drilled (on both sides of material) prior to drilling, and relocate any objects that may be damaged. Failure to inspect the area to be drilled may result in vehicle damage, electrical shock, fire or personal injury.
- **Always** wear safety glasses when installing this kit. A drilling operation will cause flying metal chips. Flying chips can cause eye injury.
- **Always** use extreme caution when cutting and trimming during fitting.
- **Always** remove jewelry and wear eye protection.
- **Never** lean over battery while making connections.
- **Never** route electrical cables:
 - o Across any sharp edges.
 - o Through or near moving parts.
 - o Near parts that become hot.
- **Always** insulate and protect all exposed wiring and electrical terminals.
- **Always** install terminal boots as directed in installation instructions.
- **Always** use appropriate and adequate care in lifting components into place.
- **Always** insure components will remain secure during installation and operation.
- **Always** tighten all nuts and bolts securely, per the installation instructions.
- **Always** perform regular inspections and maintenance on the plow mechanism, fasteners, cable and related hardware.
- **Always** replace all worn or damaged parts before operating.
- **Never** operate this WARN product with damaged or missing parts.

Read installation and operating instructions thoroughly.

WARN INDUSTRIES, INC. 12900 S.E. Capps Road,
Clackamas, OR USA 97015-8903, 1-503-722-1200, FAX: 1-503-722-3000
Customer Service: 1-800-543-9276
Dealer Locator Service: 1-800-910-1122
International Fax: 1-503-722-3005

⚠ CAUTION

MOVING PARTS ENTANGLEMENT HAZARD

Failure to observe these instructions could lead to minor or moderate injury

- **Always** take time to fully read and understand the installation and Operations Guide included with this product.
- **Never** operate this product if you are under 16 years of age.
- **Never** operate this product when under the influence of drugs, alcohol or medications.

Read installation and operating instructions thoroughly.

NOTICE

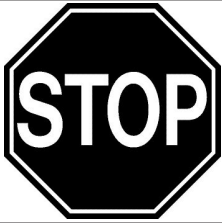
EQUIPMENT DAMAGE

- **Never** tow vehicle by attaching a tow bar to the eyelets on the bumper.
- **Never** attach tow bars directly to the bumper. Damage to bumper may occur. WARN bumpers are not designed to be used for flat towing. Consult with the manufacturer of your tow bar system for the proper vehicle tow bar brackets..

Read installation and operating instructions thoroughly.

BEFORE YOU BEGIN

NOTICE



This product may interfere with driver assist systems such as adaptive cruise control and parking assist systems that have sensors or cameras installed in the bumpers or front grill area. If your vehicle is equipped with any of these systems or features, consult your vehicle owner's manual before installing this product. These systems may need to be disabled as a result of installing this product.

TABLE OF CONTENTS

Tools Required.....	page 2
Torque Specifications.....	page 2
Parts List.....	page 3
Installation.....	page 4-8
Maintenance/Care.....	page 8

TOOLS REQUIRED

- Standard wrenches
- Standard sockets

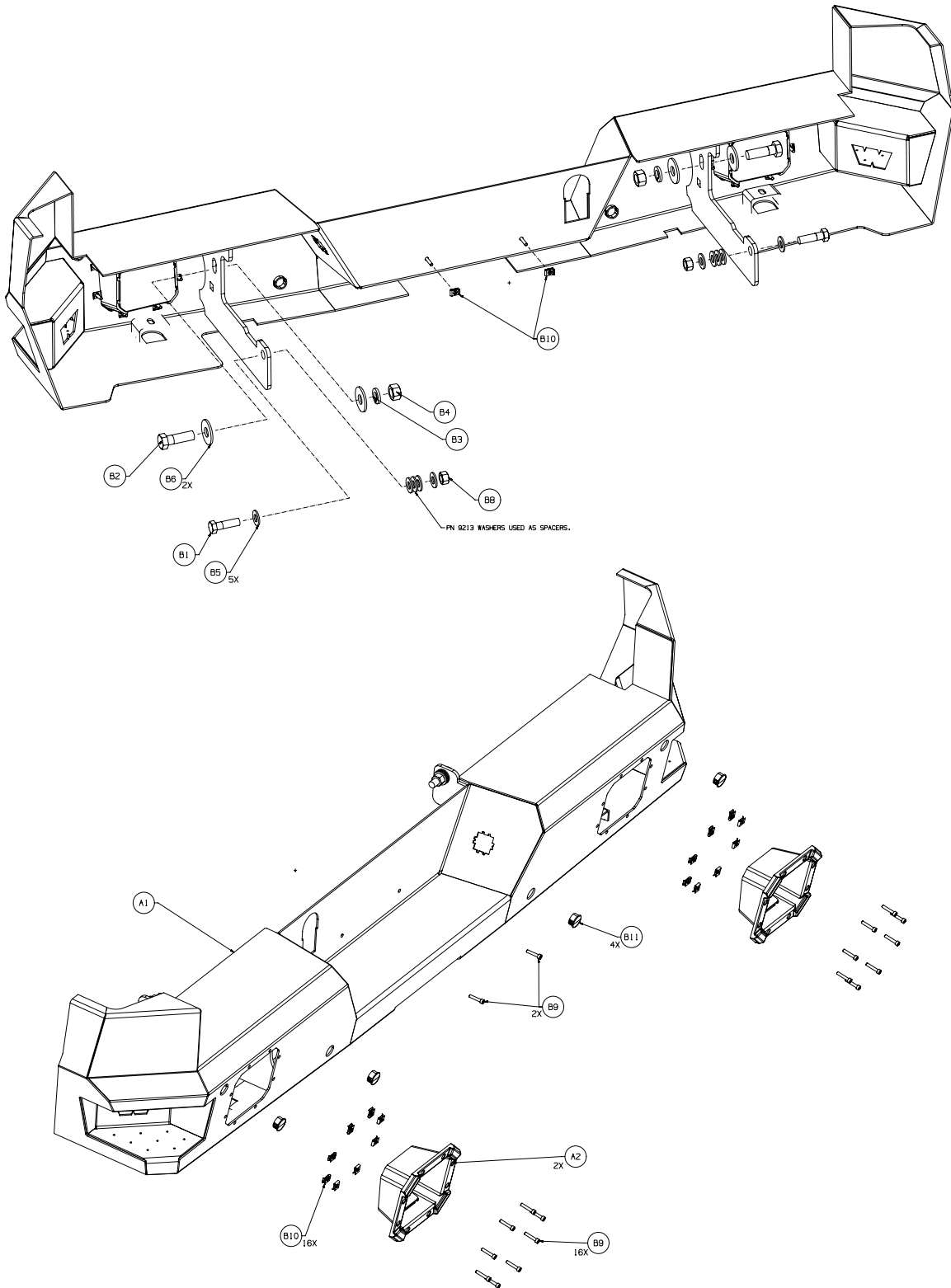
TORQUE SPECIFICATIONS

Please use the recommended torque specifications when assembling this product unless otherwise specified in the instructions.

FASTENER SIZE	FASTENER TORQUE		FASTENER SIZE	FASTENER TORQUE	
	lb-ft	(N.m)		lb-ft	(N.m)
1/4"	8	(11)	M4	(2)	3
5/16"	17	(23)	M5	(4.5)	6
3/8"	30	(40)	M6	(7.5)	10
7/16"	48	(66)	M8	(18)	25
1/2"	74	(100)	M10	(37)	50
9/16"	106	(144)	M12	(111)	150
5/8"	148	(200)			
3/4"	269	(364)			

PARTS LIST

Item	Part No.	Description	Qty.	Item	Part No.	Description	Qty.
A1	98010	BUMPER WELDMENT	1	B1	6818	1/2-13X1-1/2 HEXHEAD CAPSCREW	2
A2	96285	LIGHT BEZEL	2	B2	6819	5/8-11X11/2 HEX CAPSCREW	2
				B3	6820	5/8 LOCK WASHER	2
				B4	6821	5/8-11 HEX NUT	2
				B5	9213	1/2 FLAT WASHER	4
				B6	9471	5/8 FLAT WASHER	4
				B7	13231	CABLE TIE	2
				B8	29060	1/2 - 13 NYLOCK NUT	2
				B9	91541	STAINLESS CAPSCREW	18
				B10	96329	PANEL NUT	18
				B11	98258	PLASTIC LOCKING PLUG	4



INSTALLATION INSTRUCTIONS

1. Remove license plate.



Figure 1

2. Remove all five bumper frame bracket bolts on each side of vehicle. Keep the bolts as you will be reinstalling in a later step.



Figure 2

3. Unclip the trailer harness receptacle, by squeezing the two tabs together and push outward.

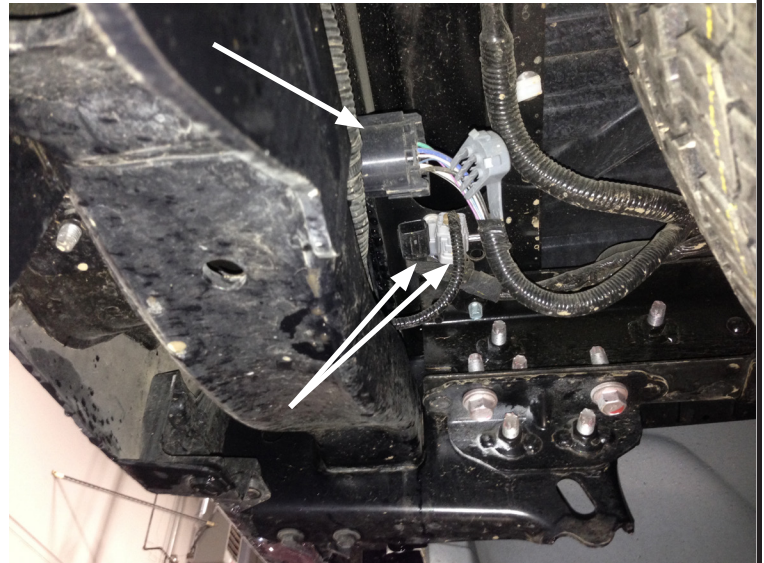


Figure 3

4. Remove the bumper and place on flat surface.
5. Remove the trailer plug receptacle (shown already removed).
6. Remove the license plate lamps by twisting the bulb holder to unplug then squeeze the two tabs and remove the lamp housing from the bumper.

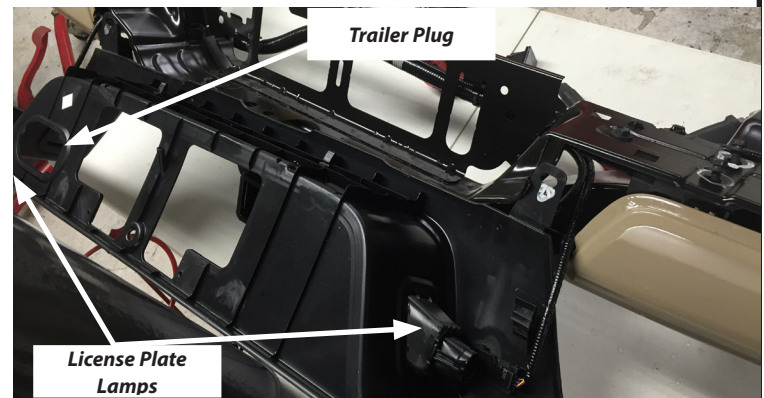
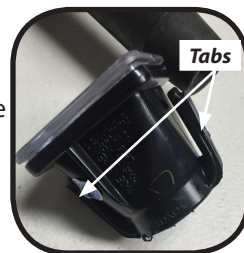


Figure 4

INSTALLATION INSTRUCTIONS

7. Remove the two small metric bolts from side of the bumper. Repeat for other side.

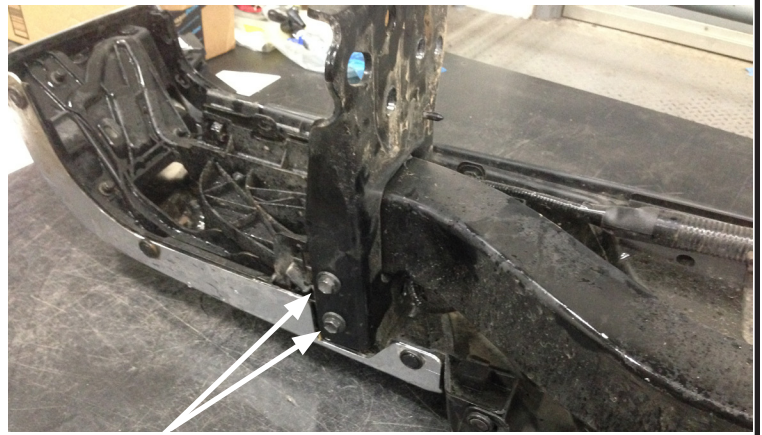


Figure 6

8. Un-snap the plastic cover on top of the bumper in order to gain access to the upper bolts holding the frame brackets to the bumper.

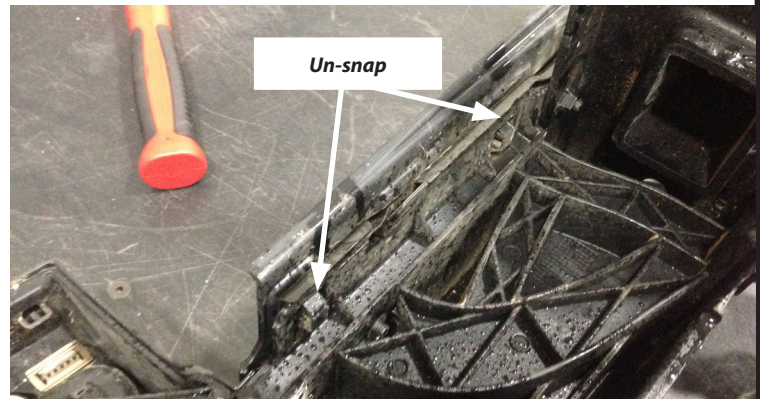


Figure 7

9. Lift up the top plastic piece, located above the bumper frame brackets, to expose bolts.
10. Remove necessary hardware to free bumper from frame bracket.



Figure 8

11. Reinstall bumper bracket/hitch back onto vehicle the same way it was removed by reinstalling the bolts previously removed in Step 2.

Tighten hardware now. Refer to torque specifications on page 2.



Figure 9

12. Remove factory plastic bumper trim piece (both sides).



Figure 10

13. Remove the wiring harness, sensors, radar (if equipped) and any other electronic component from the rest of the bumper shell.

NOTE: If removing vehicle rear sensors, take care when removing as you will be reinstalling in new bumper in the same orientation.



Figure 11

14. Reinstall the license plate lamp holders and trailer receptacle, that you previously removed from the stock bumper, into your new bumper.

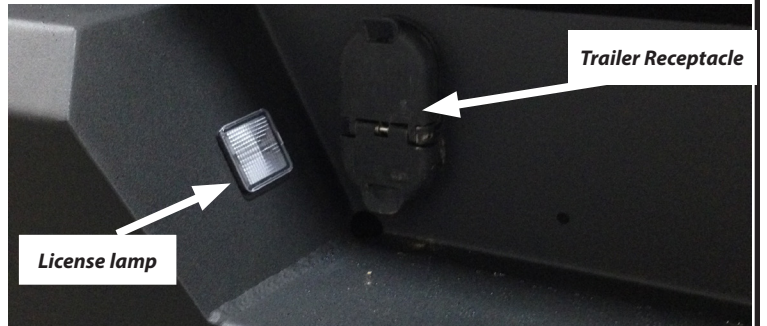


Figure 12

15. Install factory wiring harness, sensors (if equipped) and any other electronic component to the new WARN bumper.

Tip: If reinstalling sensors: You will need to install in two pieces.

- a. Unclip sensor from sensor retainer.
- b. Insert sensor retainer through the front of the bumper. Remember to insert in the same orientation as stock bumper.
- c. Clip sensor onto sensor retainer from the back of the bumper., making sure it is tightly clipped (four clips).

***Sensor and receptacle shown in image may not exactly match your specific sensor.**

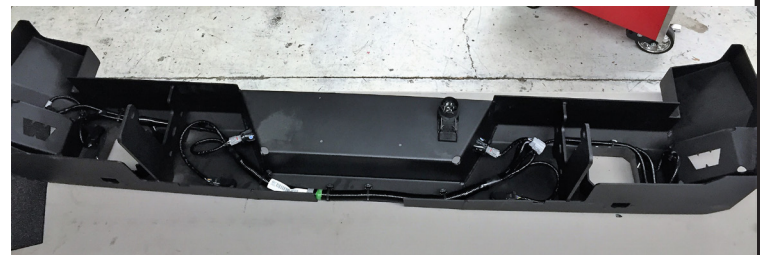


Figure 13

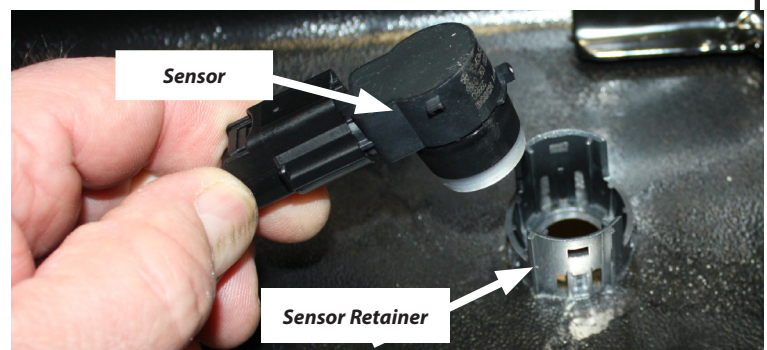


Figure 14

⚠ CAUTION

- Always use assistance when moving or lifting heavy parts.

16. With assistance, slide bumper into position.
17. Bumper brackets should sit on the inside of factory bumper brackets.
18. Secure forward mounting hole on new bumper with ½ inch hardware.
19. Secure rear mounting hole on new bumper with 5/8 inch hardware.
20. Tighten all hardware at this time.

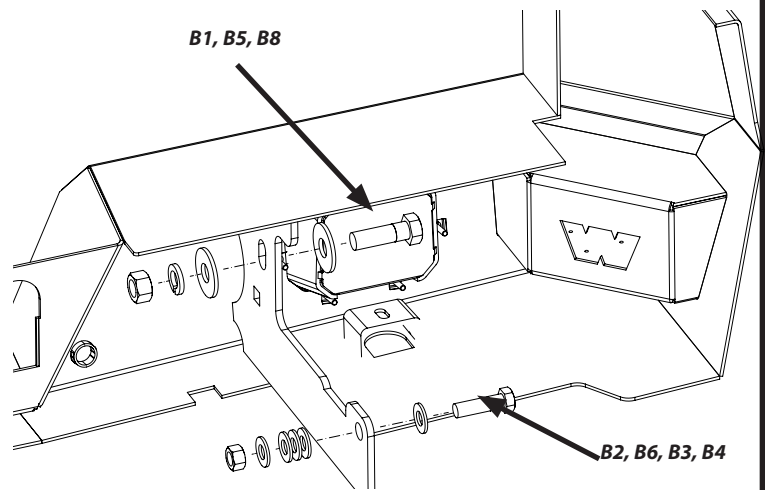


Figure 15

21. Place the nut clips over the light port holes as shown.

NOTE: If you are installing lights to your bumper, first cut the back of the bezel out before installing bezel to bumper.



Figure 16

22. Insert light bezel (A2) through bumper light port and align with nut clips. Secure bezel with ten stainless steel socket head screws (B9). Review exploded view on page 3.
23. Repeat for other side.



Figure 17

24. Install license plate to bumper using the two stainless screws and panel nuts.

25. Installation is now complete.

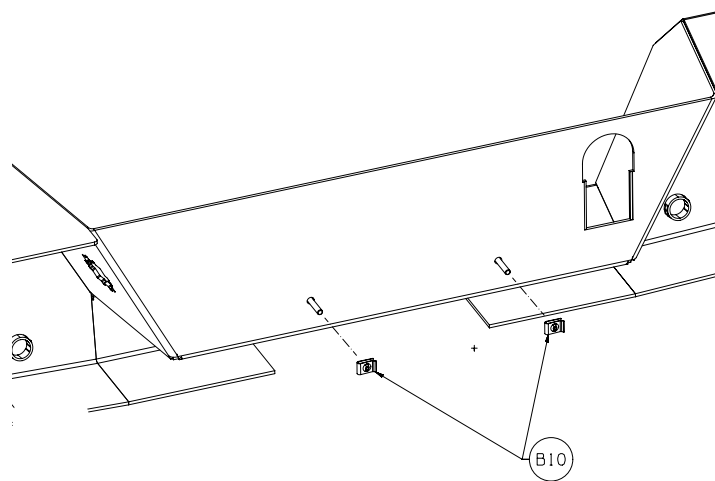


Figure 18

MAINTENANCE / CARE

1. Inspect all parts on the winch, winch mount, and related hardware prior to each use. Replace all hardware that appears rusted or deformed.
2. Inspect all nuts and bolts on the winch, winch mount and related hardware prior to each use. Tighten all nuts that appear to be loose. Stripped, fractured, or bent bolts or nuts need to be replaced.
3. Check all cables prior to use. Replace cables that look worn or frayed.
4. Check all moving or rotating parts. Remove debris that may inhibit the part from moving freely.