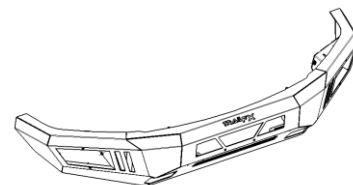




Front LD Bumper

Part No. FLDB008TI



Fits: 2019-Current RAM 1500 (Excl. Ram 1500 2019 Classic, Rebel Trim and 2020 Diesel Models)



ASSISTANCE IS RECOMMENDED.



60-180 min



CUTTING NOT
REQUIRED



DRILLING NOT
REQUIRED



REMOVE CONTENTS FROM BOX. VERIFY ALL PARTS ARE PRESENT.



support@trailfx.com



READ INSTRUCTIONS CAREFULLY BEFORE STARTING INSTALLATION.



1 866 638 4870



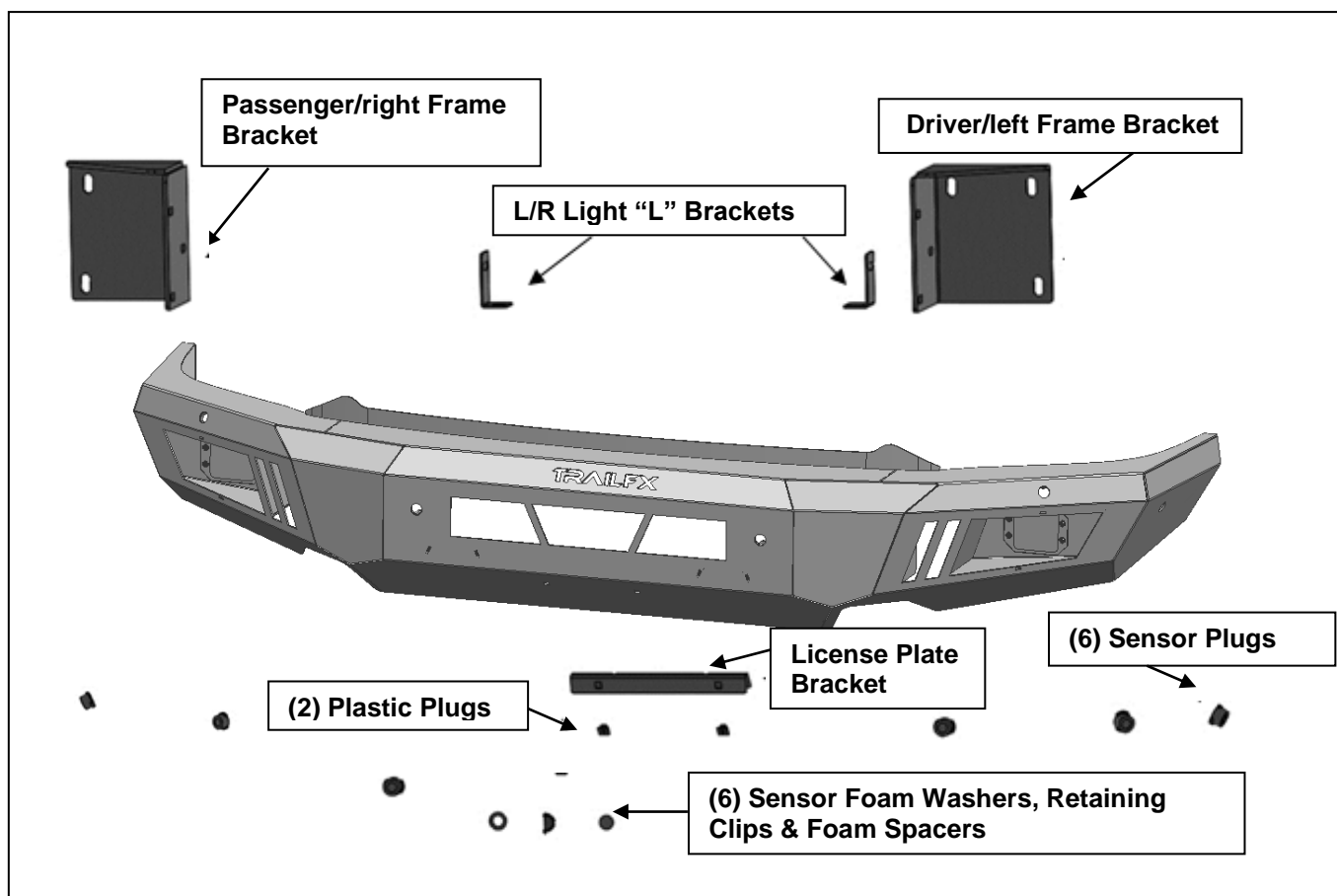
DO NOT OVER TORQUE. STANDARD OPERATING LOAD FOR TIGHTEN BODY MOUNT NUTS & BOLTS VARIES FROM 45 TO 65 FOOT POUND.



POLISHED STAINLESS STEEL – LIMITED LIFETIME
POWDER COATED BLACK – 3 YEARS

PARTS LIST:

Qty	Part Description	Qty	Part Description
1	LD1 Front Bumper	6	12mm Lock Washers
1	Driver/left side Frame Bracket	6	12mm Hex Nuts
1	Passenger/right side Frame Bracket	6	10-1.5mm x 35mm Hex Bolts
1	Driver/left side LED "L" Bracket	12	10mm x 27mm x 3mm Flat Washers
1	Passenger/right side LED "L" Bracket	6	10mm Lock Washers
1	License Plate Bracket	6	10mm Hex Nuts
2	License Plastic Plugs	2	8-1.25mm x 25mm Hex Bolts
10	Nylon Wire Ties	2	8-1.25mm x 16mm Hex Bolts
1	Sensor Cover Kit	6	8mm x 24mm x 2mm Flat Washers
6	Sensor Hole Plugs	4	8mm Lock Washers
6	Sensor Foam Washers	2	8mm Hex Nuts
6	Sensor Foam Spacers	2	6mm x 20mm Button Head Bolts
6	Sensor Semi-Circle Retaining Clips	4	6mm x 18mm x 1.6mm Flat Washers
6	12-1.75mm x 35mm Hex Bolts	2	6mm Nylon Lock Nuts
12	12mm x 32mm x 3mm Flat Washers		

**PROCEDURE:**

REMOVE CONTENTS FROM BOX. VERIFY ALL PARTS ARE PRESENT. READ INSTRUCTIONS CAREFULLY BEFORE STARTING INSTALLATION. BUMPER IS HEAVY, ASSISTANCE IS HIGHLY RECOMMENDED TO AVOID POSSIBLE INJURY OR DAMAGE TO THE VEHICLE.

1. Remove the license plate and bracket. Starting underneath the front bumper, locate and unplug the main wire harness on the driver/left side of the bumper, **(Figure 2)**.
2. On the driver/left side of the bumper, remove the (2) factory bolts attaching the side of the bumper cover to the side of the frame, **(Figure 1)**. Repeat this **Step** for the passenger/right side.
3. Place blocks or jack stands under the bumper to support it during mounting bolt removal. Once the bumper has been safely supported, remove the (3) factory flange nuts attaching each bumper bracket to the end of the frame, **(Figures 2 & 3)**. **WARNING!** Assistance is required to hold bumper in place during hardware removal to prevent the bumper from falling. Slide the bumper assembly off of the end of the frame and place bumper on stable clean flat surface.
4. Sensors must be installed in Bumper, (if equipped), before installing Bumper Assembly.

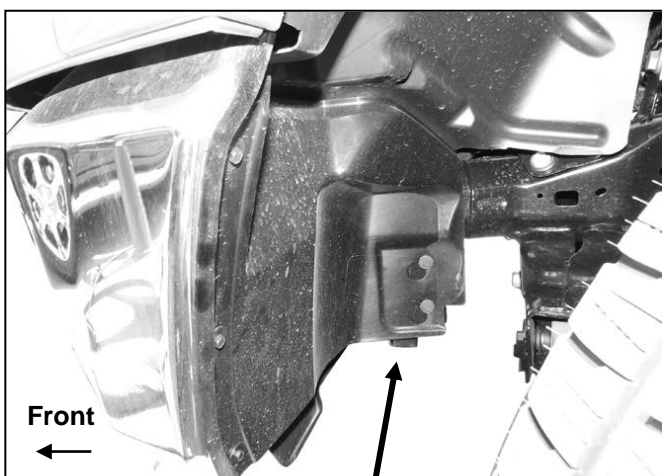
Models without front sensors:

- a. Select the included (6) Rubber Plugs.
- b. From behind bumper, push plugs into sensor mounting holes.

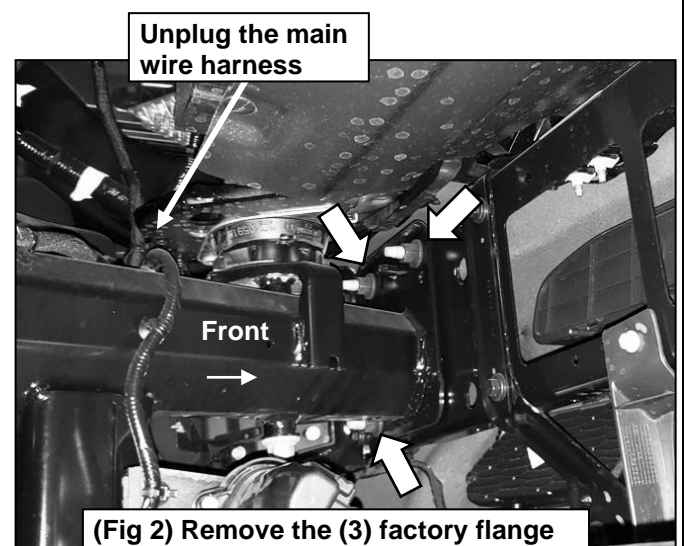
Models equipped with front sensors: The front bumper is equipped with (2) inner Z-shaped sensors and (4) outer L-shaped sensors. Pay close attention to the location of the sensors to install correctly.

- a. Move to the OE front bumper. Remove and unplug the (2) outer L-shaped sensors from the back of the bumper, **(Figure 4)**.
- b. Remove the center plastic cover from the back of the bumper to access the inner Z-shaped sensors, **(Figures 5 & 6)**. Remove and unplug the Z-Shaped sensors from the back of the bumper.
- c. Release the sensor wire harness from the plastic clips along the back of the bumper, **(Figures 7 & 8)**.
- d. Starting with the Z-shaped sensor, select (1) Sensor Foam Washer. Remove the OE washer from the front of the sensor. Place the provided Foam Washer onto the front of the sensor, **(Figure 8)**.
- e. Slide the sensor tabs into the center sensor sleeve opening on the back of the LD1 Bumper, **(Figure 9)**. Attach (1) Sensor Foam Spacer to (1) Semi-Circle Retaining Cap. Push and lock the Retaining Cap into the sensor sleeve holes, **(Figure 9)**.

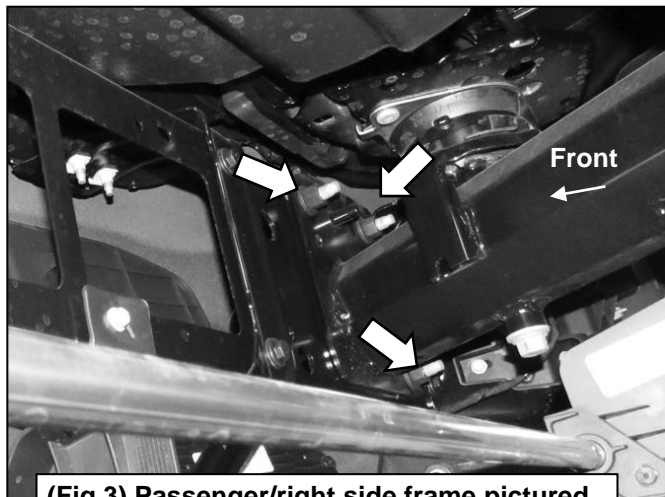
- f. Repeat the above steps to attach the remaining Z-shaped sensor and (4) L-shaped sensors to the correct sensor sleeves behind the bumper, **(Figure 10)**. **NOTE:** The Z-shaped sensors attach the **inner** sensor sleeves and the L-shaped sensors attach to the **outer** sensor sleeves.
 - g. Run the wire harness through the sensor openings on the bumper to connect the wire harness to each sensor.
5. **Center LED light installation** as supplied with bumper or sold separately.
- c. Select the L/R "L" Brackets, **(Figure 11)**. Attach the Brackets to the top of the (2) mounting tabs welded onto the back of the bumper with the included (2) 8mm x 25mm Hex Bolts, (4) 8mm Flat Washers, (2) 8mm Lock Washers and (2) 8mm Hex Nuts. Leave loose at this time.
 - d. Attach the LED light assembly to the "L" Brackets with the included (2) 8mm x 16mm Hex Bolts, (2) 8mm Lock Washers and (2) 8mm Flat Washers. Do not fully tighten hardware at this time. **IMPORTANT:** "L" Brackets are designed for 8mm light mounting hardware only. Modify "L" Brackets if necessary or use brackets supplied by your light manufacturer if possible to install hardware larger than 8mm.
 - e. Follow light manufacturer's instructions to properly wire light once bumper has been installed.
6. **LED light installation at ends of bumper** as supplied with bumper or sold separately.
- f. Insert light into opening and up to mounting slot. Check for clearance between front and back of light. If necessary, remove screen from back of opening, **(Figure 12)**.
 - g. Follow the light manufacturer's instructions to attach (1) light to the slot in the top of the light opening, **(Figure 12)**.
 - h. Repeat the above steps for passenger side light installation.
 - i. Follow light manufacturer's instructions to properly wire light once bumper has been installed.
7. Select the Passenger/Right Frame Bracket and move to the frame mounting location, **(Figures 13 & 14)**. Attach the Bracket to the end of the frame with (3) 12mm x 35mm Hex Bolts, (6) 12mm Flat Washers, (3) 12mm Lock Washers and (3) 12mm Hex Nuts, **(Figure 15)**. Repeat Step to install the Driver/left Frame Bracket.
8. With assistance, position the LD1 Bumper Assembly up to the inside of the Frame Brackets. Temporarily support the weight of the Bumper. **WARNING:** To avoid possible injury or damage to the vehicle, do not proceed until the Bumper is fully and safely supported.
9. Attach the Bumper to the Frame Brackets with (6) 10mm x 35mm Hex Bolts, (12) 10mm Flat Washers, (6) 10mm Lock Washers and (6) 10mm Hex Nuts, **(Figures 16 & 17)**. Do not fully tighten at this time.
10. Level and adjust the bumper and fully tighten all hardware.
11. Plug the main wire harness on the driver/left side of the vehicle, **(Figure 18)**.
12. If front license plate is required, attach the License Plate Bracket to the holes in the bumper with the included (2) 6mm x 20mm Button Head Bolts, (4) 6mm x 18mm Large Flat Washers and (2) 6mm Nylon Lock Nuts. Insert (2) Plastic Plugs into the square holes in the Bracket. Reuse the factory screws to attach the license plate to the plastic plugs, **(Figure 19)**.
13. Do periodic inspections to the installation to make sure that all hardware is secure and tight.



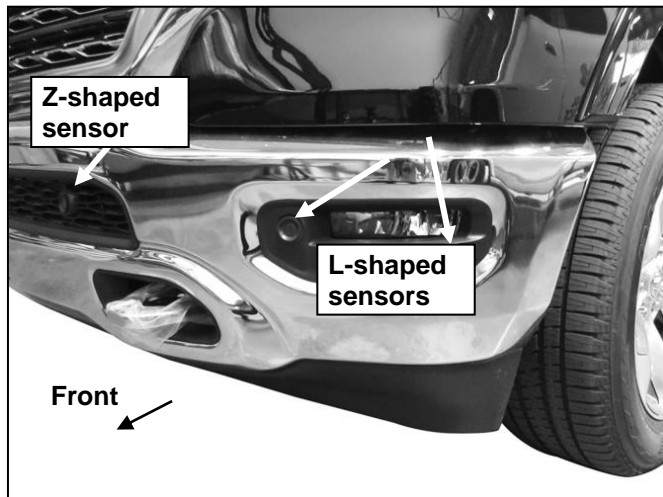
(Fig 1) Remove the (2) factory bolts attaching the side of the bumper to the frame (Driver/left side)



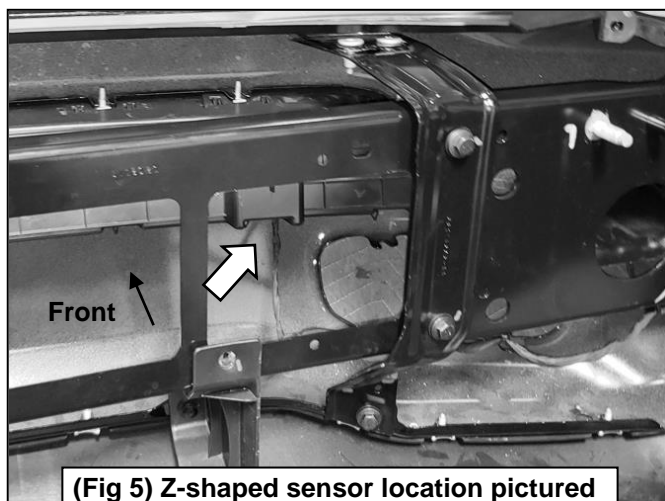
(Fig 2) Remove the (3) factory flange nuts from the driver/left side frame



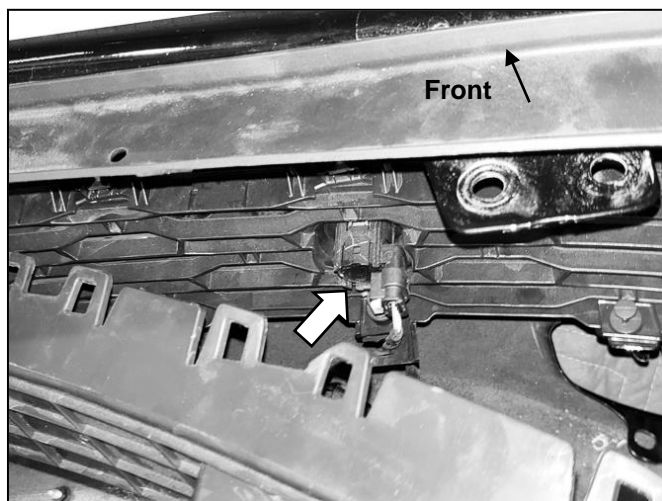
(Fig 3) Passenger/right side frame pictured



(Fig 4) Driver/left side sensor location (Pictured with Bumper on for instruction purposes ONLY)



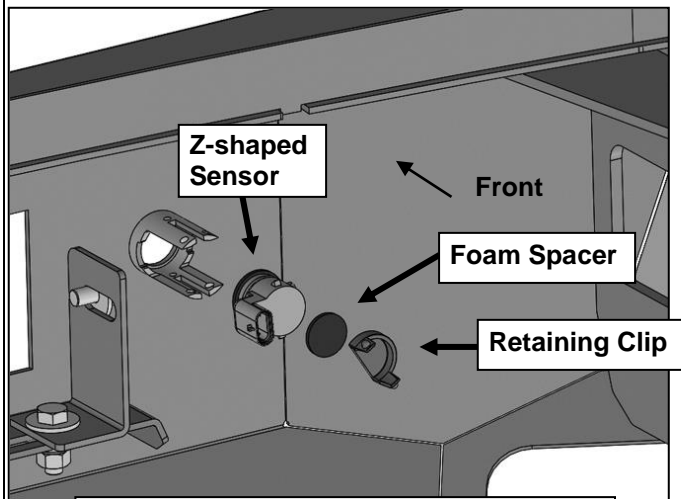
(Fig 5) Z-shaped sensor location pictured behind passenger/right side of bumper



(Fig 6) Remove sensor from sensor sleeve (Passenger/right inner Z-shaped sensor pictured from behind bumper)



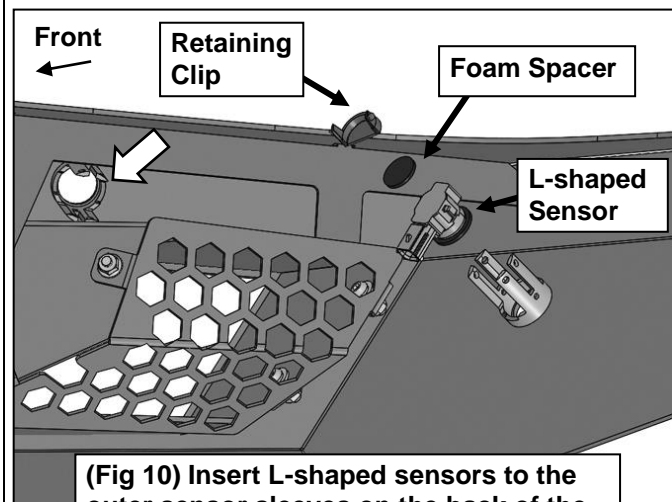
(Fig 7) Outer L-shaped sensors pictured



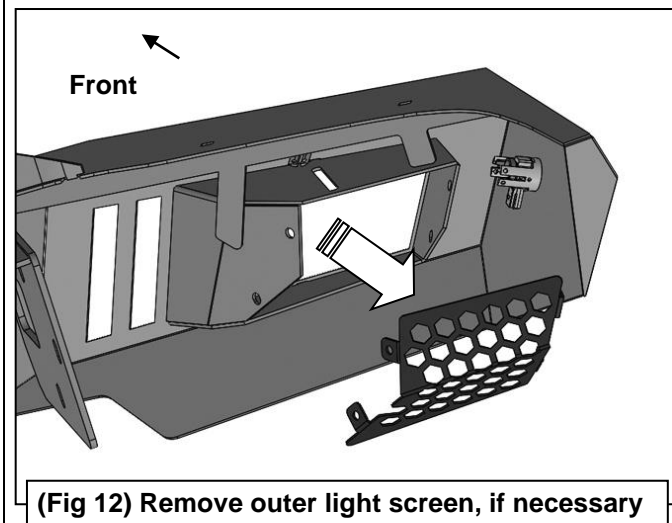
(Fig 9) Insert Z-shaped sensor assembly through the inner sensor sleeve on the back of the bumper



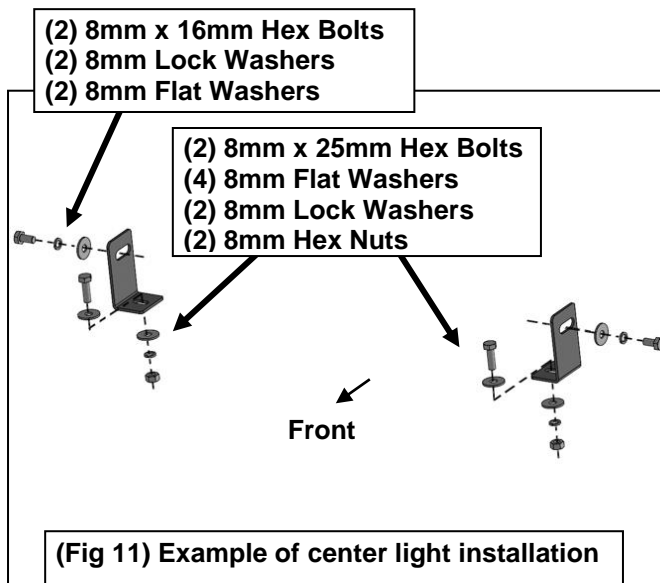
(Fig 8) Remove factory sealing washer from sensor and place (1) Foam Washer over the sensor (Inner Z-shaped sensor pictured)



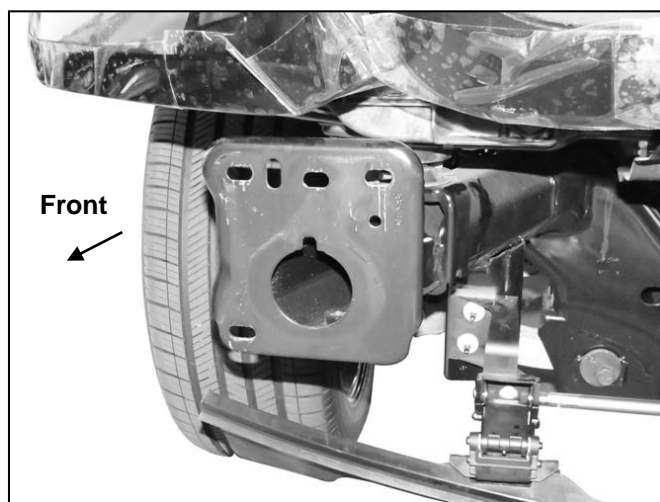
(Fig 10) Insert L-shaped sensors to the outer sensor sleeves on the back of the bumper (passenger/right side illustrated)



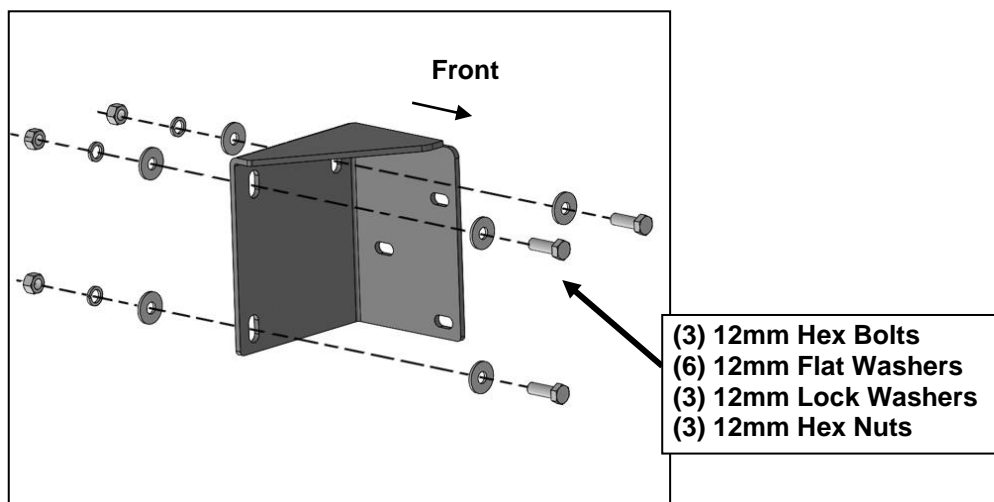
(Fig 12) Remove outer light screen, if necessary



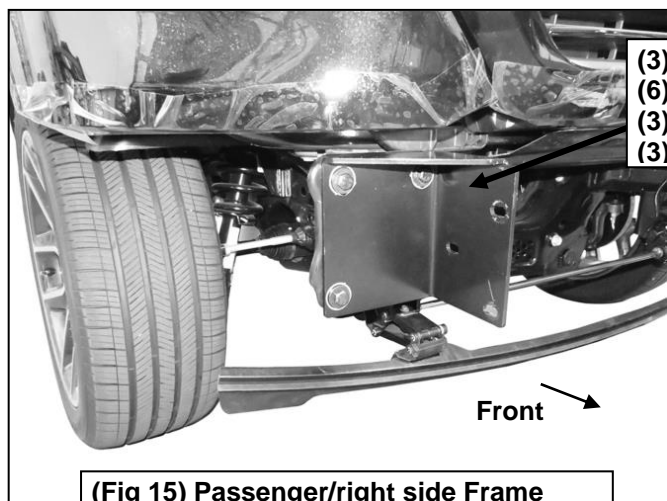
(Fig 11) Example of center light installation



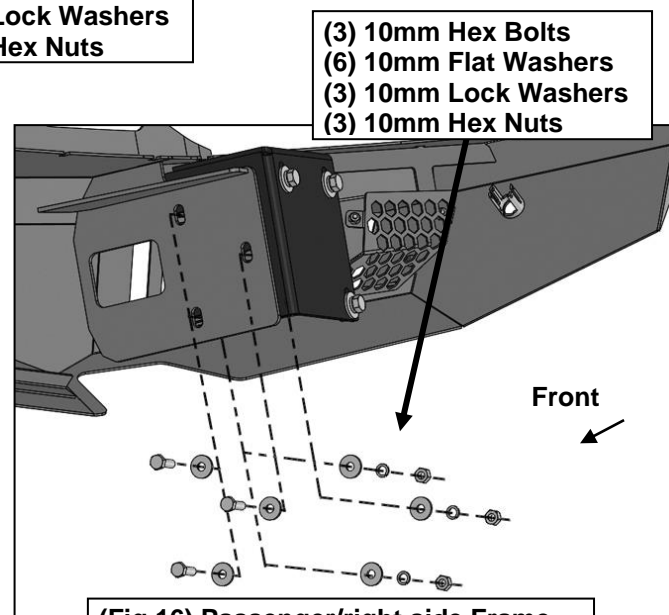
(Fig 13) Passenger/right side Frame mounting location



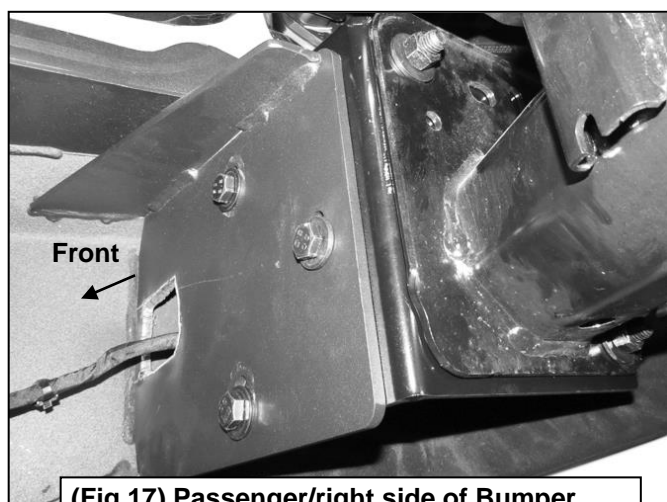
(Fig 14) Passenger/right side Frame Bracket



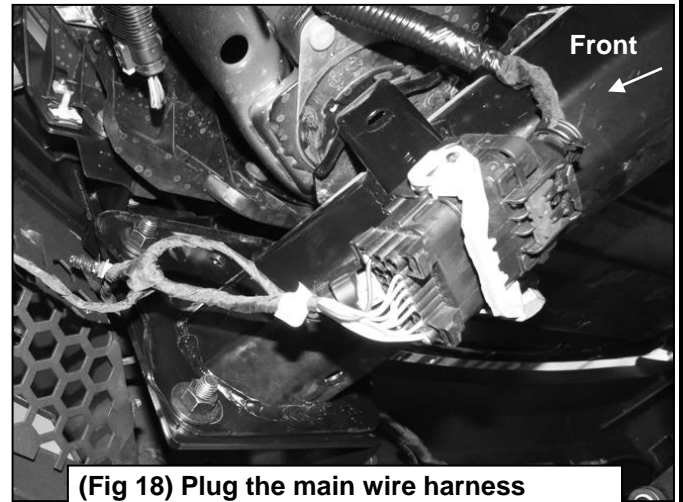
(Fig 15) Passenger/right side Frame Bracket attached to the frame pictured



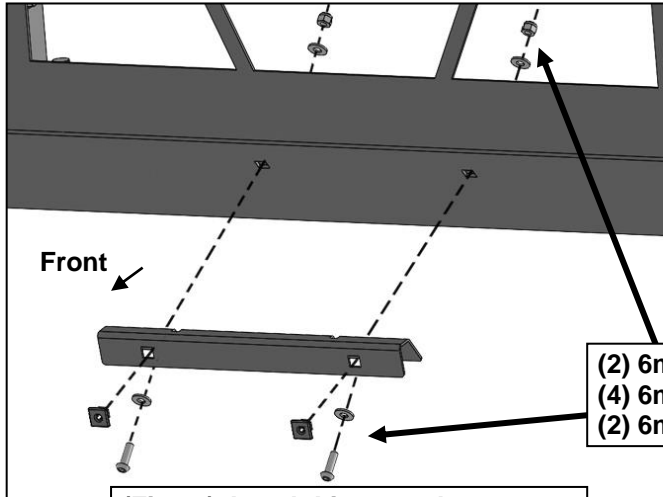
(Fig 16) Passenger/right side Frame Bracket attached to the outside of the bumper mounting plate



(Fig 17) Passenger/right side of Bumper attached to the inside of the Frame Bracket



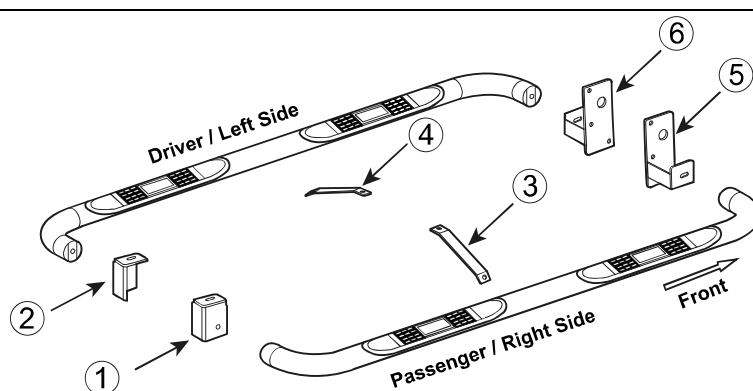
(Fig 18) Plug the main wire harness located on the driver/left side of the frame



- (2) 6mm Button Head Bolts
- (4) 6mm Flat Washers
- (2) 6mm Nylon Lock Nuts

(Fig 19) Attach License plate Bracket to the front of the Bumper

No.	Parts Identification
1	Passenger / Right 'Rear' Bracket marked "PR"
2	Driver / Left 'Rear' Bracket marked "DR"
3	Passenger / Right 'Center' Bracket marked "PC"
4	Driver / Left 'Center' Bracket marked "DC"
5	Passenger / Right 'Front' Bracket marked "PF"
6	Driver / Left 'Front' Bracket marked "DF"

**Note:**

- This guide is to identify the parts and not a reference for part count.
- For part count, refer Parts List.
- Product / Bracket image is representative and actual design may vary.

PRODUCT CARE

- Periodically check the product to ensure all fasteners are tight and components are intact.
- Regular waxing is recommended to protect the finish of the product.
- **Use ONLY Non-Abrasive automotive wax.** Use of any soap, polish or wax that contains an abrasive is detrimental and can scratch the finish leading to corrosion.
- Aluminum polish may be used to polish small scratches and scuffs for **Stainless Steel finish.**
- Mild soap may be used to clean the product for both **Stainless Steel and Black finish.**

FAQ's**1. Hardware's are not of correct size.**

In GMC / Chevrolet truck model 2006 & up, customer needs to reuse the factory body bolts to install the bracket. If your vehicle is not GMC / Chevrolet 2006 & up, ensure that holes are not partially covered with any plastic grommet or rust? If it is, remove the plastic grommet & rust from the thread holes & re-try the installation.

2. Mounting Bracket are not getting installed properly.

In some cases illustration images shown in Installation manual may not be the exactly same as per actual vehicle images ,also if Driver / Passenger side mounting brackets are very identical in the design, suggest referring Parts Identification guide to avoid fitment issue.

3. Products are thumping / rattling after installation.

Ensure that all required mounting brackets / hardware's are installed & tighten correctly. Suggest using white lithium / regular grease between the metal to metal contact surfaces.

4. Side Bar is not aligning with vehicle / Step Pads are not aligning with vehicle doors.

Side bar may be interchanged or mounting brackets are not installed at the correct position in the vehicle. Refer Parts identification guide.

5. Missing / Excess Hardware.

Recheck hardware count as per the part list.

6. Product not installing properly.

Ensure make model year, cab length and bed size of your vehicle is listed in the application. All installation steps are followed correctly.

Check out these other TrailFX Products!!

www.TrailFX.com

**BULL BAR****GRILLE GUARDS****BED RAILS****RUNNING BOARDS**

Keystone Automotive Operations Inc. (KAO) warrants this product to be free of defects in material and workmanship at the time of purchase by the original retail consumer. KAO disclaims any other warranties, express or implied, including the warranty of fitness for a particular purpose or an intended use. If the product is found to be defective, KAO may replace or repair the product at our option, when the product is returned prepaid, with proof of purchase. Alteration to, improper installation, or misuse of this product voids the warranty. KAO's liability is limited to repair or replacement of products found to be defective, and specifically excludes liability for any incidental or consequential loss or damage.