



# Replacement Front Bumper

Part No. FX3021



Fits: 2015 - Current

Chevrolet Silverado 2500/3500 HD



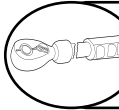
ASSISTANCE IS RECOMMENDED.



REMOVE CONTENTS FROM BOX. VERIFY ALL PARTS ARE PRESENT.



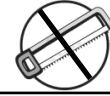
READ INSTRUCTIONS CAREFULLY BEFORE STARTING INSTALLATION.



DO NOT OVER TORQUE. STANDARD OPERATING LOAD FOR TIGHTEN BODY MOUNT NUTS & BOLTS VARIES FROM 45 TO 65 FOOT POUND.



60-180 min



Cutting Not Required



Drilling Not Required



support@trailfx.com



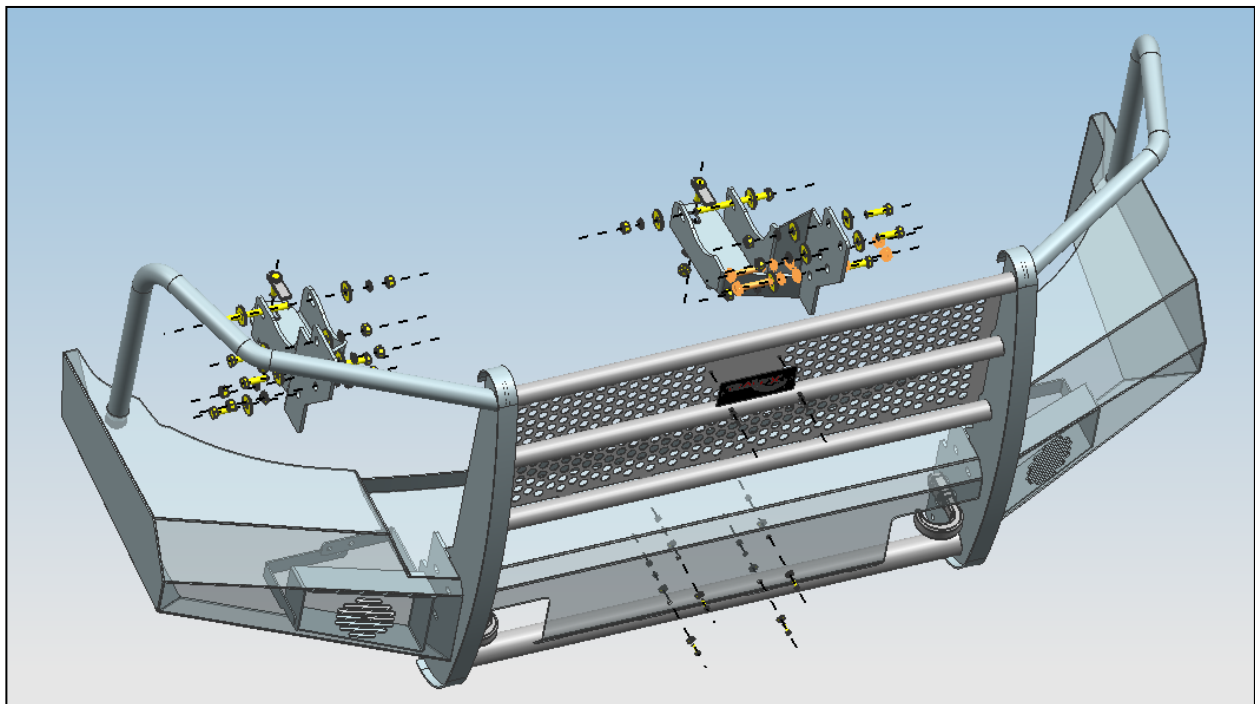
1 866 638 4870



POLISHED STAINLESS STEEL – LIMITED LIFETIME  
POWDER COATED BLACK – 3 YEARS

### PARTS LIST:

Qty	Part Description	Qty	Part Description
1	Replacement Bumper	2	Towing Hooks
1	Driver side Mounting Bracket	1	Passenger side Mounting Bracket
4	5x20mm Phillips Screws	8	5x15x1.2mm Flat Washers
4	5mm Lock Washers	4	5mm Hex Nuts
2	12x140mm Half Thread Hex Bolts	18	12x37x3mm Flat Washers
14	12mm Lock Washers	14	12mm Hex Nuts
6	12x40mm Hex Bolts	8	12x24x2.5mm Flat Washers
4	12x40mm Hex Bolts	2	12mm T-Bolts



## INSTALLATION PROCEDURE

**BUMPER IS HEAVY, ASSISTANCE IS HIGHLY RECOMMENDED TO AVOID POSSIBLE INJURY OR DAMAGE TO THE VEHICLE.**

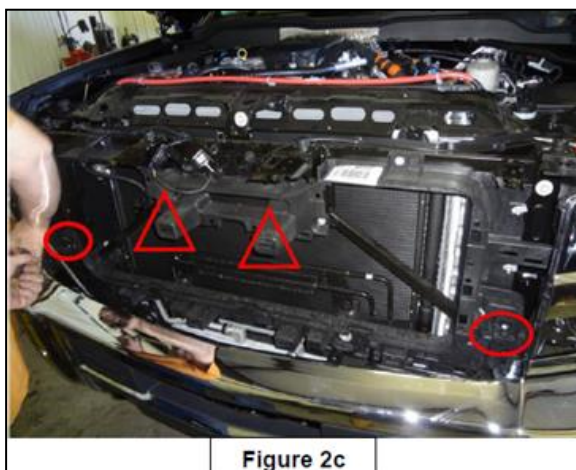
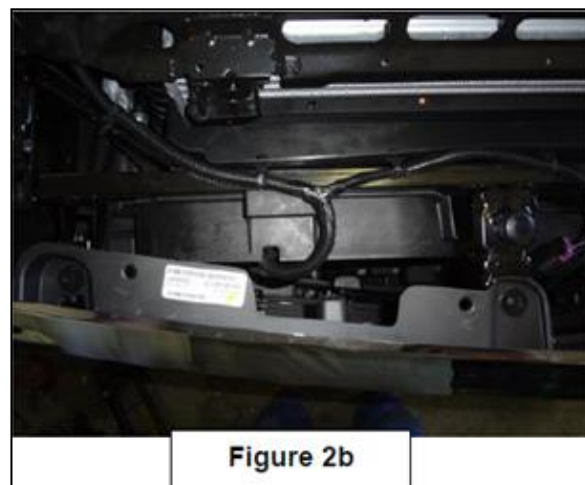
### Vehicle Preparation

**Note: Keep all the OEM parts carefully until finishing the installation!**

1. Open the hood and locate push pins on radiator cover. Using a flathead screwdriver, pull the head of the push pin up, remove push pin and lift radiator cover off. This will allow access to top grille bolts (**Fig 1**).



2. Remove the fasteners connecting the grille to the frame. Four bolts, are located at the top of the grille, two on each side (**Fig 2A & 2B**). Two bolts and two clips are located behind the grille and are indicated by the ovals and triangles respectively (**Fig 2C**).



3. Disconnect the electrical harness (**Fig 3A**) from vehicle and remove tow hooks. Tow hooks are mounted with one cross bolt through the side and a bolt through the bottom of the frame (**Fig 3B**).

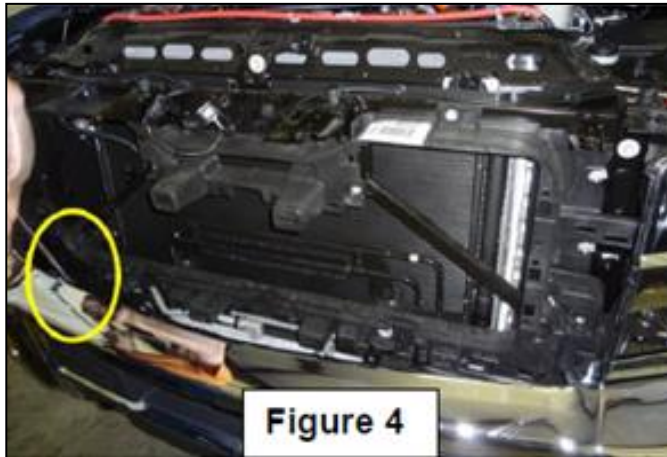


**Figure 3a (Electrical Harness Disconnected)**



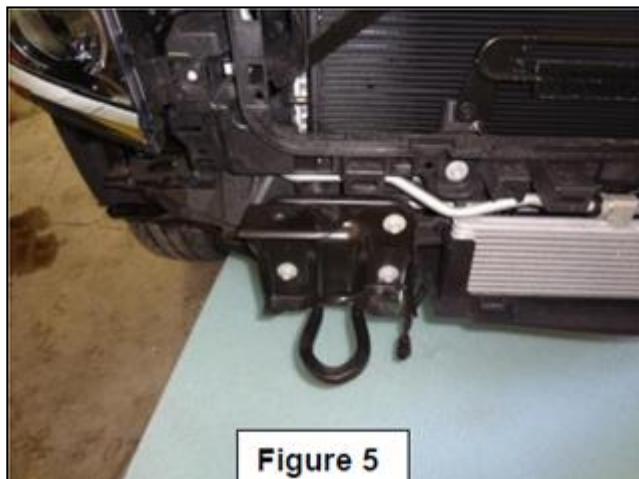
**Figure 3b (Tow Hook & OEM Mounting Bracket)**

4. Remove bolts connecting bumper to mounting bracket. There is one bolt on each side which requires a socket wrench with an extension to easily reach (**Fig 4**). Carefully pull bumper away from vehicle.



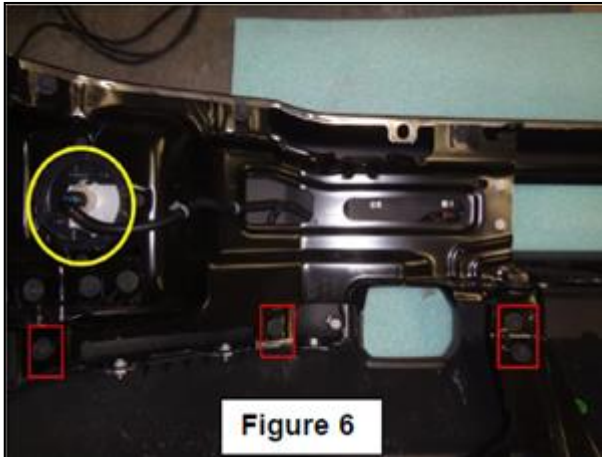
**Figure 4**

5. Remove the fasteners connecting the OEM mounting bracket to the frame. Using a socket/wrench remove bolts from front of bracket connected to the bumper. Repeat process on each side of vehicle(**Fig 5**).



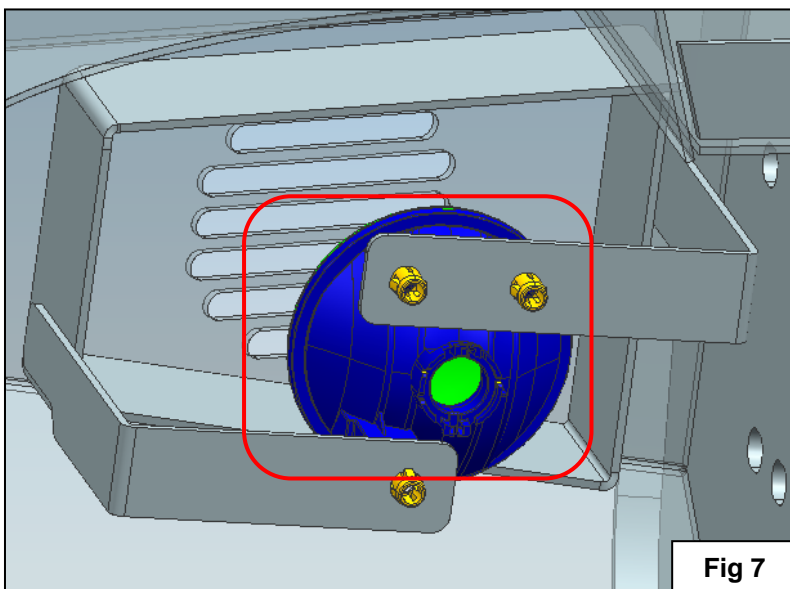
**Figure 5**

6. Remove OEM electrical harness from bumper. Disconnect harness from fog lights and sensors. Pop out the three plastic clips holding fog lights to fog light housing and carefully pull away, the plastic clips are indicated by a circle. Unbolt bumper support frames as necessary to more easily access sensors, start with the bottom bolts indicated by squares (**Fig 6**).



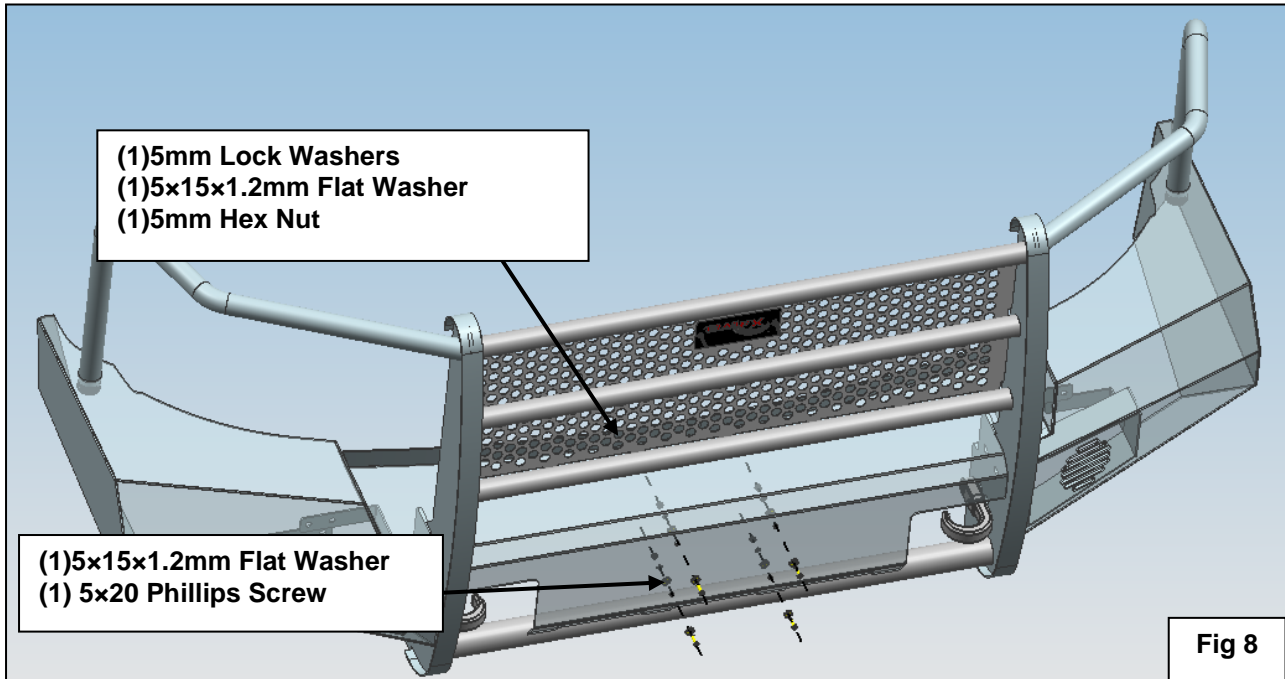
### Bumper Installation

1. Remove the fog light from the vehicle. Use the OEM screws and nut plates to fasten the fog light to the bumper (**Fig 7**).

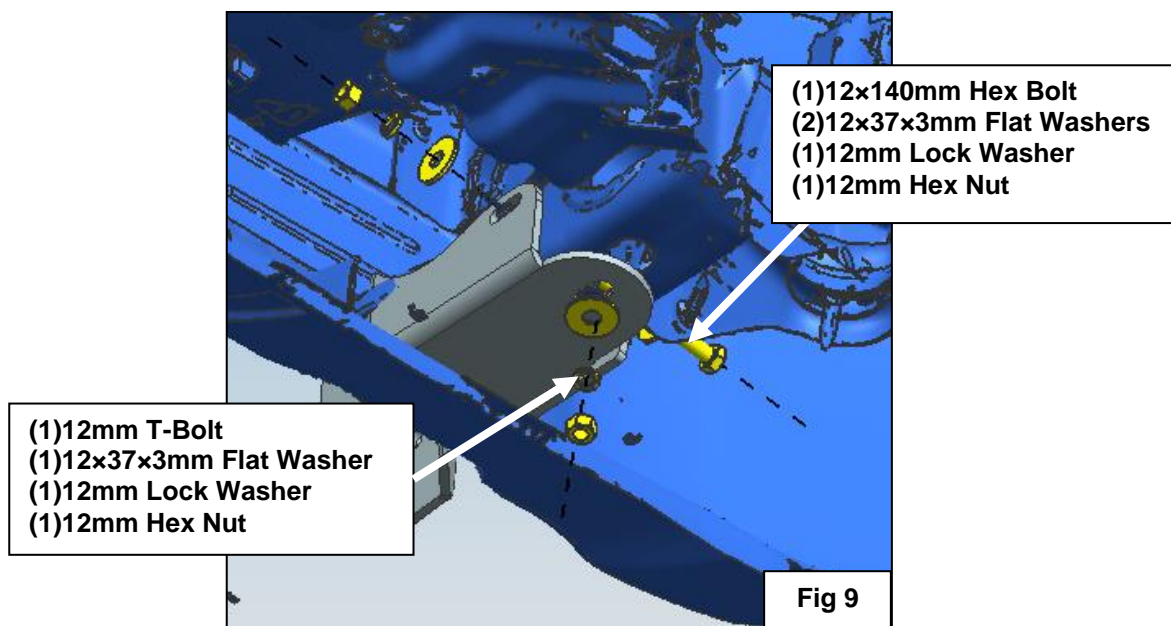




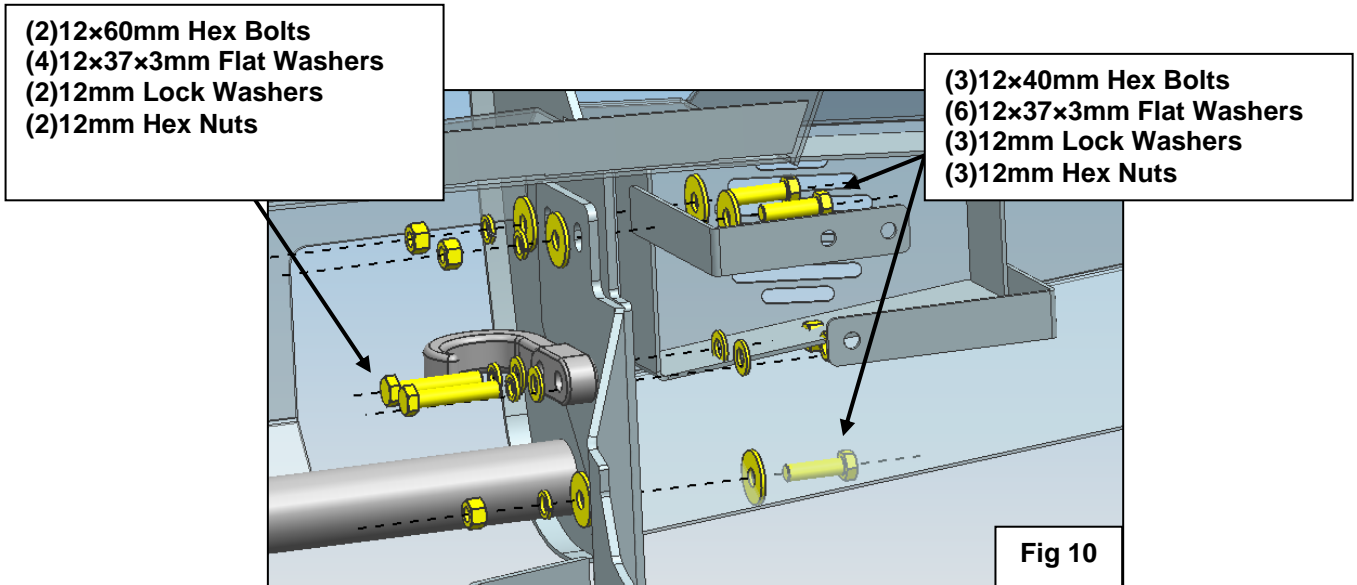
2. Attach the license plate to the Replacement Bumper (**Fig 8**). Fasten the license plate with the hardware.



3. Attach the Mounting Brackets (left and right) to the frame (**Fig 9**). Do not fully tight the hardware at this time.



4. Attach the Bumper to Mounting Brackets with the hardware. Attach the Towing Hooks to the Mounting Brackets (Fig 10). Level and adjust the bumper and fully tighten all hardware.



5. Reinstall the factory wiring harness to the fog light.
6. Level and adjust the bumper, make sure that all hardware is secure and tight.
7. Installation is finished, pick up all tools.

**PRODUCT CARE**

- Periodically check the product to ensure all fasteners are tight and components are intact.
- Regular waxing is recommended to protect the finish of the product.
- **Use ONLY Non-Abrasive automotive wax.** Use of any soap, polish or wax that contains an abrasive is detrimental and can scratch the finish leading to corrosion.
- Aluminum polish may be used to polish small scratches and scuffs for **Stainless Steel finish.**
- Mild soap may be used to clean the product for both **Stainless Steel and Black finish.**

**FAQ's****1. Hardware's are not of correct size.**

*In GMC / Chevrolet truck model 2006 & up, customer needs to reuse the factory body bolts to install the bracket. If your vehicle is not GMC / Chevrolet 2006 & up, ensure that holes are not partially covered with any plastic grommet or rust? If it is, remove the plastic grommet & rust from the thread holes & re-try the installation.*

**2. Mounting Bracket are not getting Installed properly.**

*In some cases Illustration images shown in Installation manual may not be the exactly same as per actual vehicle images ,also if Driver / Passenger side mounting brackets are very identical in the design, suggest referring Parts Identification guide to avoid fitment issue.*

**3. Products are thumping / rattling after installation.**

*Ensure that all required mounting brackets / hardware's are installed & tighten correctly. Suggest using white lithium / regular grease between the metal to metal contact surfaces.*

**4. Side Bar is not aligning with vehicle / Step Pads are not aligning with vehicle doors.**

*Side bar may be interchanged or mounting brackets are not installed at the correct position in the vehicle. Refer Parts identification guide.*

**5. Missing / Excess Hardware.**

*Recheck hardware count as per the part list.*

**6. Product not installing properly.**

*Ensure make model year, cab length and bed size of your vehicle is listed in the application. All installation steps are followed correctly.*

Check out these other FX-Products!!

www.FX-Products.com



**SIDE BAR**



**HEADACHE RACKS**



**RUNNING BOARDS**



**ROCKER GUARDS**

Keystone Automotive Operations Inc. (KAO) warrants this product to be free of defects in material and workmanship at the time of purchase by the original retail consumer. KAO disclaims any other warranties, express or implied, including the warranty of fitness for a particular purpose or an intended use. If the product is found to be defective, KAO may replace or repair the product at our option, when the product is returned prepaid, with proof of purchase. Alteration to, improper installation, or misuse of this product voids the warranty. KAO's liability is limited to repair or replacement of products found to be defective, and specifically excludes liability for any incidental or consequential loss or damage.