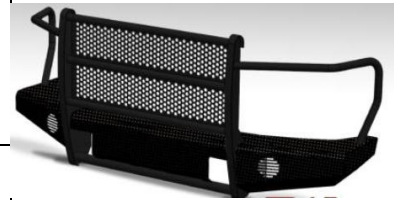




Replacement Front Bumper

Part No. FX3023



Fits: 2017-2018

Ford Super Duty



ASSISTANCE IS RECOMMENDED.



60-180 min



CUTTING NOT REQUIRED



DRILLING NOT REQUIRED



REMOVE CONTENTS FROM BOX. VERIFY ALL PARTS ARE PRESENT.



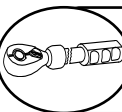
support@trailfx.com



READ INSTRUCTIONS CAREFULLY BEFORE STARTING INSTALLATION.



1 866 638 4870



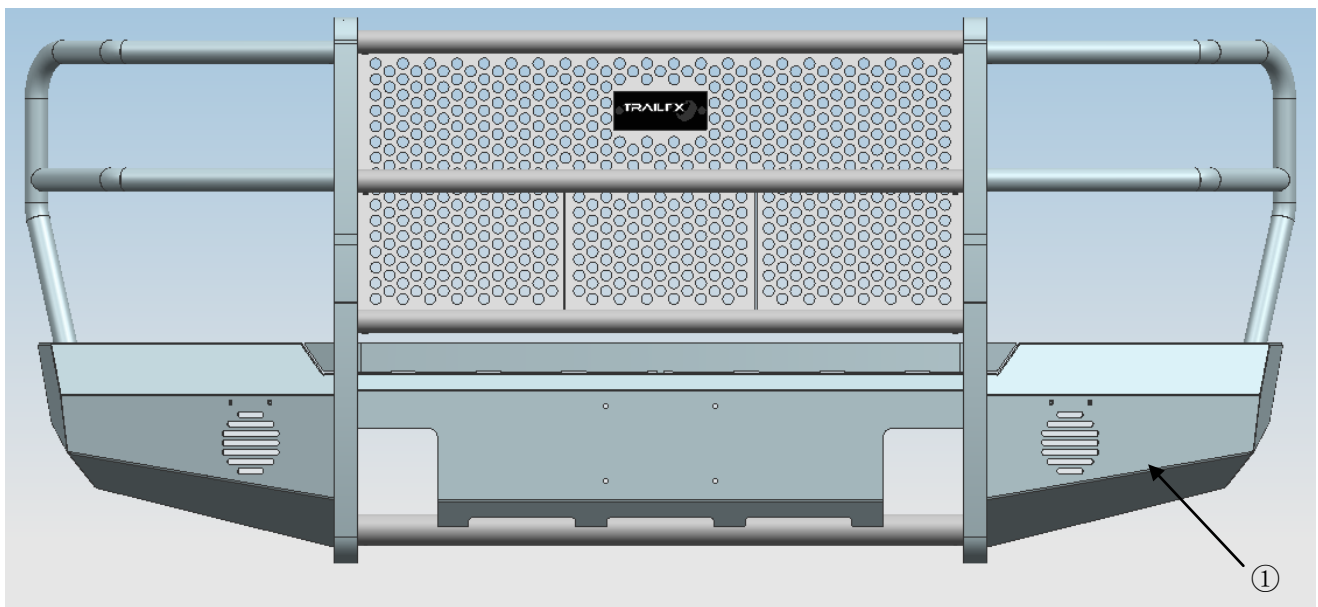
DO NOT OVER TORQUE. STANDARD OPERATING LOAD FOR TIGHTEN BODY MOUNT NUTS & BOLTS VARIES FROM 45 TO 65 FOOT POUND.



WARRANTY POLISHED STAINLESS STEEL - LIMITED LIFETIME
POWDER COATED BLACK - 3 YEARS

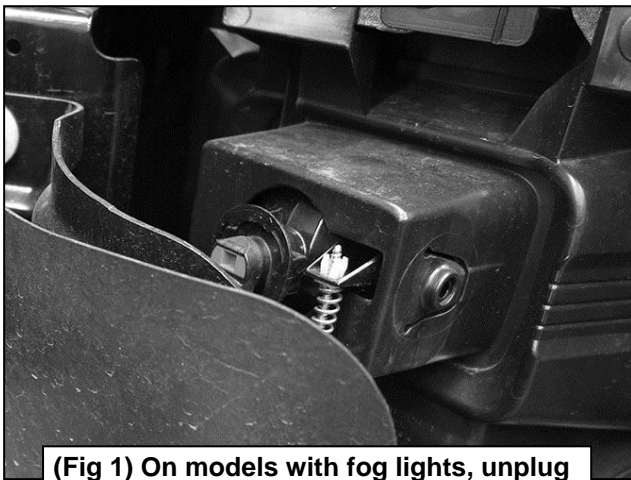
PARTS LIST:

Qty	Part Description	Qty	Part Description
1	Replacement Front Bumper	8	12mmx50mm Hex Bolt ⑨
1	Driver/Left Fog Light Upper Bracket ②	16	12mmx32mm Flat Washer ⑩
1	Passenger/Right Fog Light Upper Bracket ③	8	12mm Lock Washer ⑪
2	Fog Light Bracket ④	8	12mm Hex Nut ⑫
4	5x20mm Philips Screw ⑤	2	8mmx20mm Hex Bolt ⑬
8	5mmx15mmx1.2mm Flat Washer ⑥	4	8mmx24mmx2mm Flat Washer ⑭
4	5mm Lock Washer ⑦	2	8mm Nylon Lock Nuts ⑮
4	5mm Hex Nu ⑧	4	6mmx16mm Hex Bolt ⑯
4	6mm Lock Washer ⑱	4	6mmx12mmx1.6mm Flat Washer ⑰
1	S=2.5 Wrench ⑲	4	

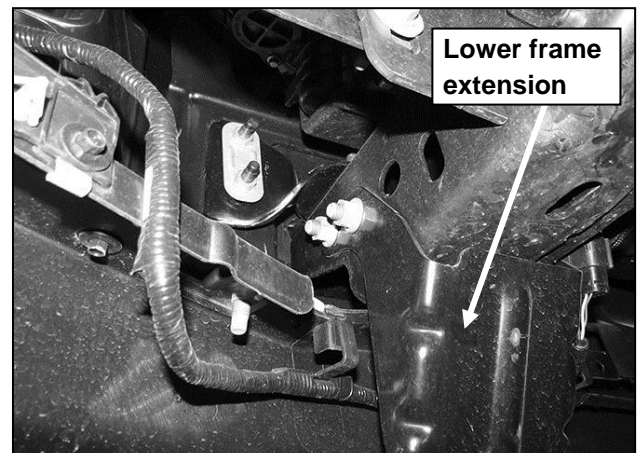


INSTALLATION PROCEDURE

1. Remove the license plate and bracket. On models with factory fog lights, unplug both lights. Unplug and remove the adaptive cruise control, if equipped. Release the wiring harness from the clips attached to the back of the bumper, **(Figures 1 & 2)**. Move harness away from bumper.
2. Next, remove the plastic lower air dam from the bottom of the bumper, **(Figure 3)**. Remove the outer bumper supports attaching the outer ends of the bumper to the sides of the frame, **(Figure 4)**. Remove the plastic covers from the tow hooks to uncover the bumper bolts, **(Figure 5)**.
3. Place blocks or jack stands under the front bumper to support it during mounting bolt removal. Once the bumper has been safely supported, remove the (8) factory bumper bolts, **(Figure 6)**.
4. **WARNING!** Assistance is required to hold the bumper in place during bolt removal to prevent the bumper from falling. Carefully slide the bumper off over the tow hooks.
5. Remove the tow hooks from the ends of the frame, **(Figure 7)**. Next, remove the factory hex nuts, lower frame extension and double bolt plates from the ends of the frame, **(Figures 2 & 7)**.



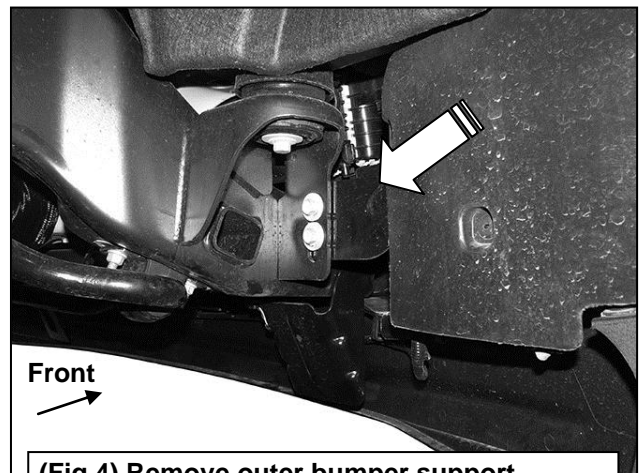
(Fig 1) On models with fog lights, unplug wire harness from back of light



(Fig 2) Release clips attaching the wire harness for fog lights if equipped (driver side)



(Fig 3) Remove plastic air dam from bumper

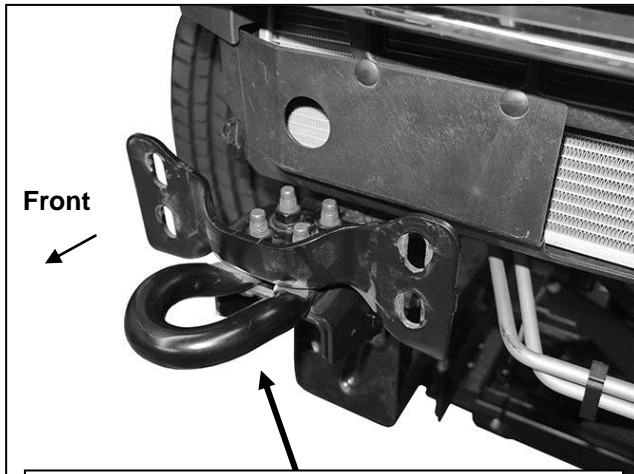


(Fig 4) Remove outer bumper support brackets between frame and bumper (arrow)



(Fig 5) Remove plastic cover around tow hook

WARNING! Do not remove bumper bolts unless the bumper is properly supported on blocks or stands or the bumper may fall.

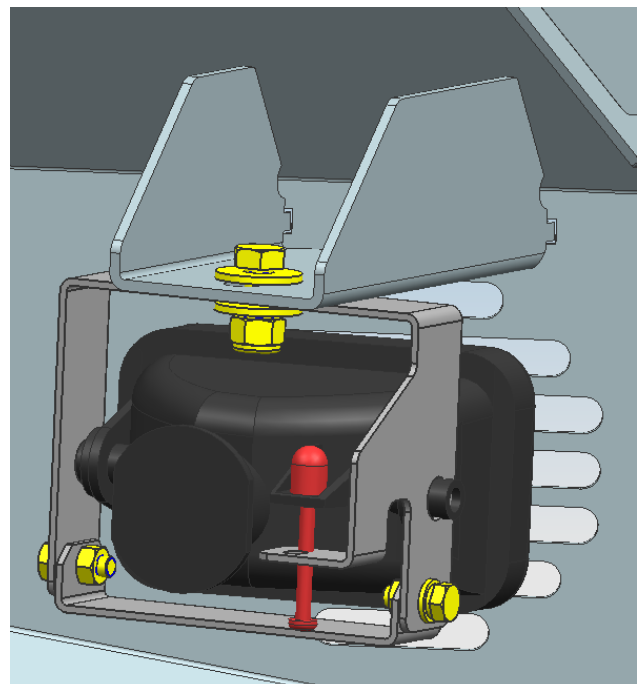
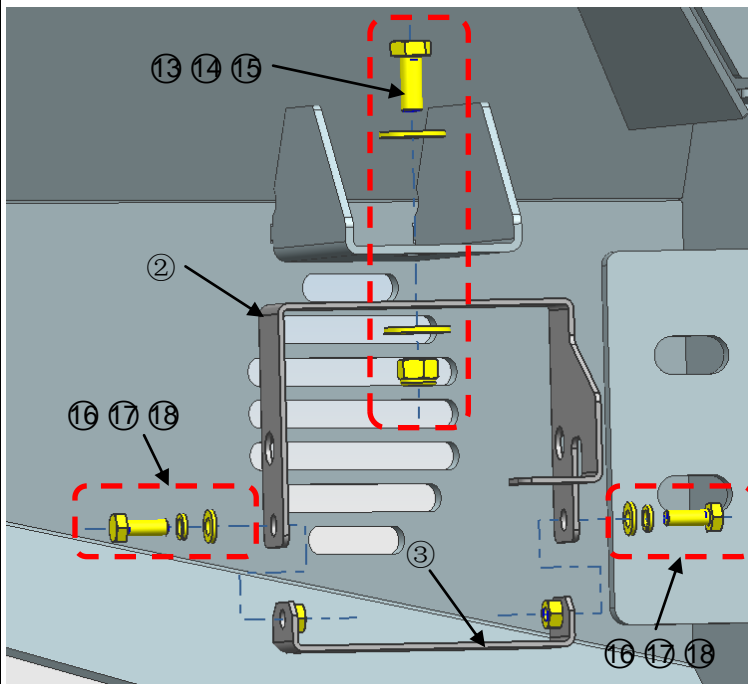


(Fig 7) Remove tow hook assembly and lower frame extension (not pictured-see Fig 2)

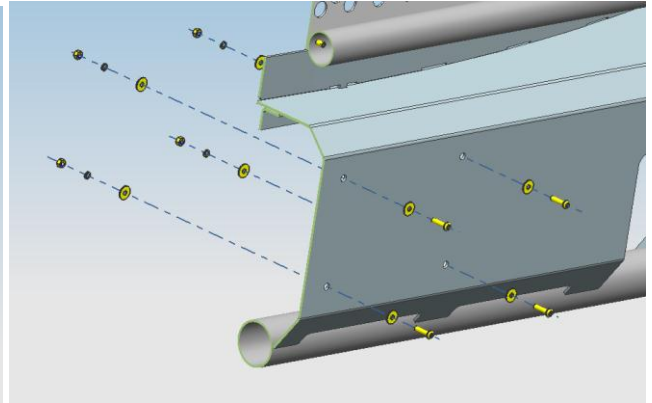
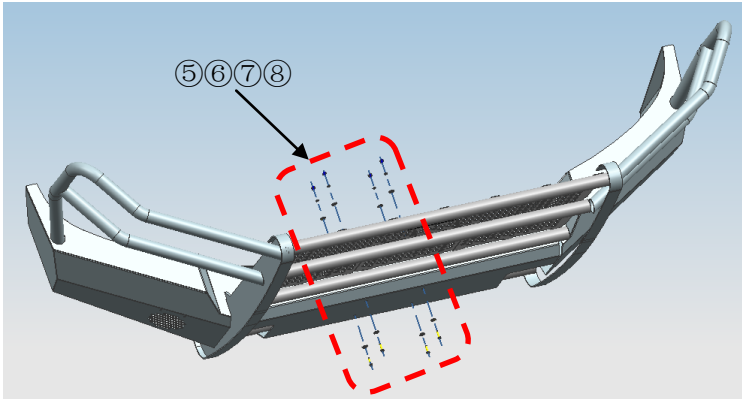


(Fig 6) Remove bumper bolts (driver side pictured)

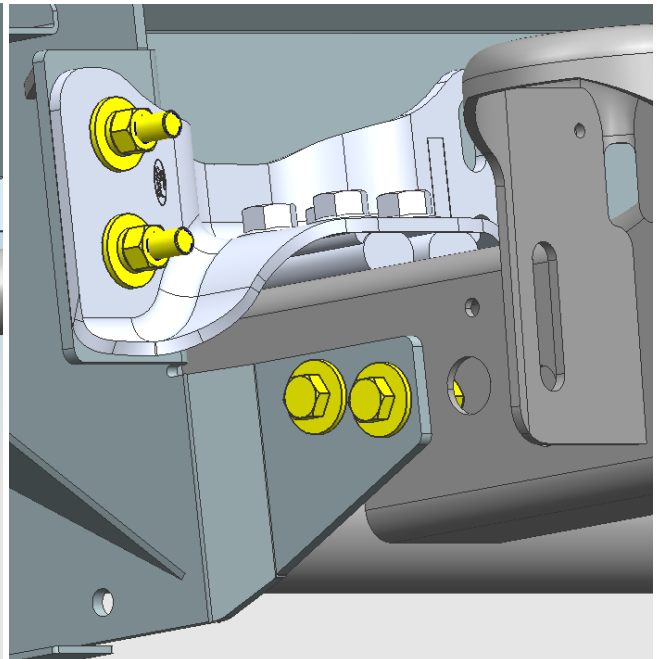
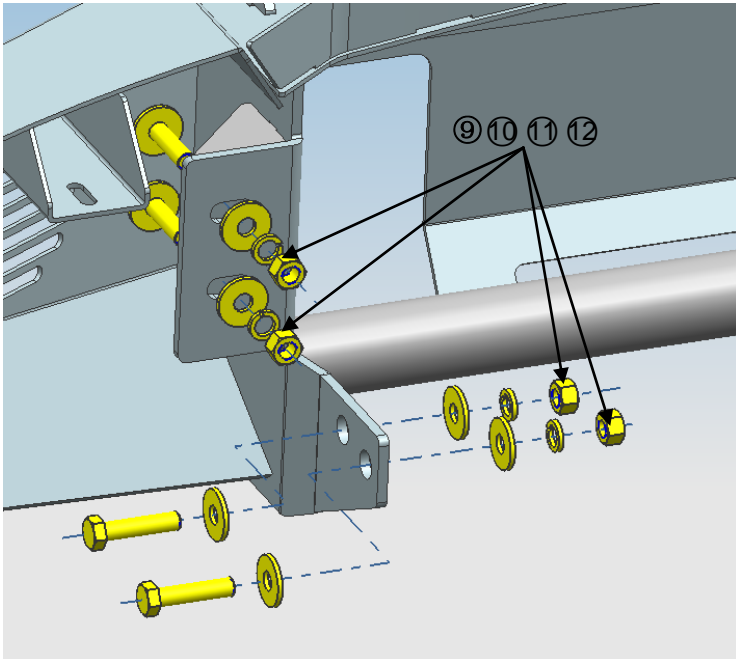
6. Install Driver/Left Fog Light Upper Bracket to the bumper with (1) 8mmx20mm Hex Bolt, (2) 8mmx24mmx2mm Flat Washer, (1) 8mm Nylon Lock Nuts (13 14 15), install the left side factory fog light to the Upper Bracket with (1) fog light bracket 4 and (2) 6mmx16mm Hex Bolt, (2) 6mm Lock Washer, (2) 6mmx12mmx1.6mm Flat Washer. Repeat the installation for the Right Side fog light..

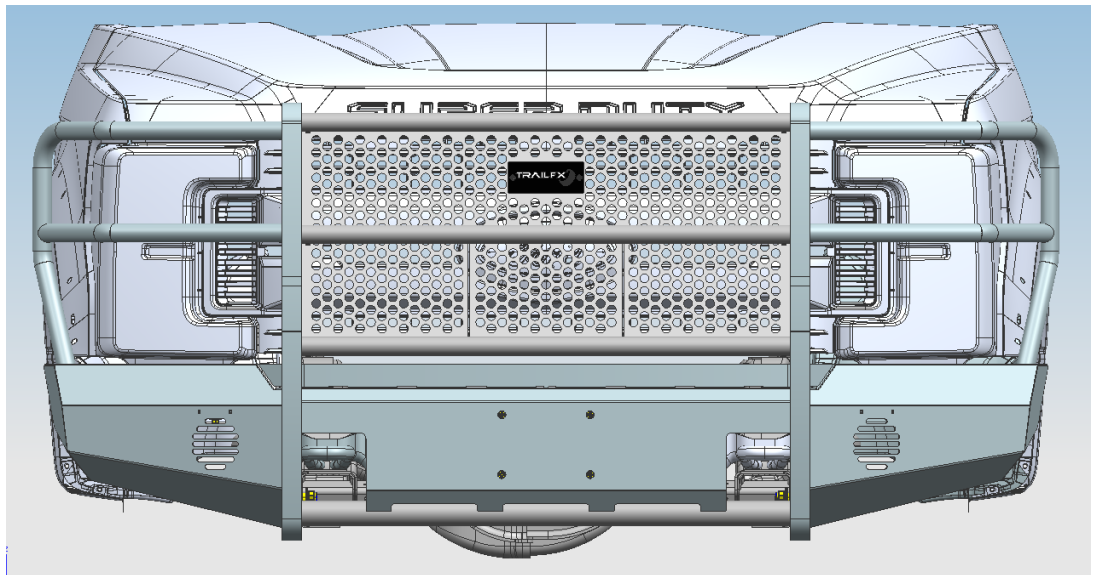
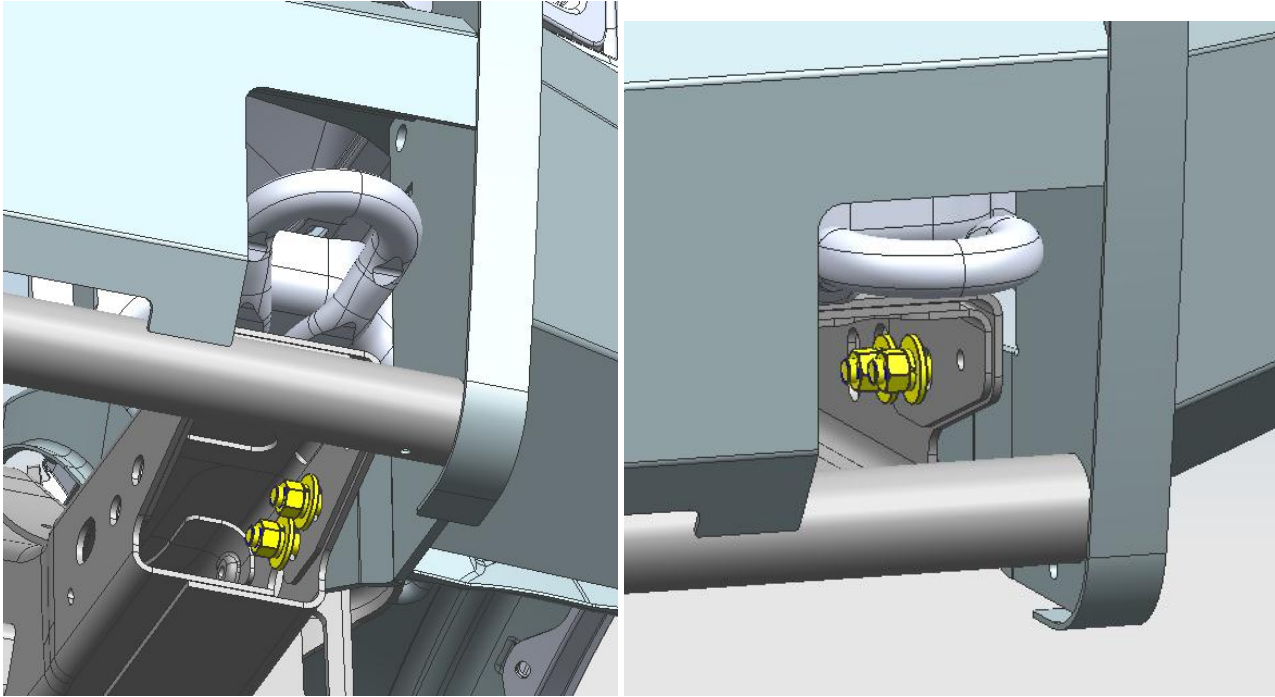


7. Reinstall the license plate with (4) 5x20mm Philips Screw, (8) 5mmx15mmx1.2mm Flat Washer, (4) 5mm Lock Washer, (4) 5mm Hex Nut



8. Attach the Bumper to vehicle frame with (4) 12mmx50mm Hex Bolt, (8) 12mmx32mm Flat Washer, (4) 12mm Lock Washer, (4) 12mm Hex Nut, do not fully tighten hardware at this time , Repeat to attach the passenger/right side of the Bumper to the Bracket.





PRODUCT CARE

- Periodically check the product to ensure all fasteners are tight and components are intact.
- Regular waxing is recommended to protect the finish of the product.
- **Use ONLY Non-Abrasive automotive wax.** Use of any soap, polish or wax that contains an abrasive is detrimental and can scratch the finish leading to corrosion.
- Aluminum polish may be used to polish small scratches and scuffs for **Stainless Steel finish.**
- Mild soap may be used to clean the product for both **Stainless Steel and Black finish.**

FAQ's**1. Hardware's are not of correct size.**

In GMC / Chevrolet truck model 2006 & up, customer needs to reuse the factory body bolts to install the bracket. If your vehicle is not GMC / Chevrolet 2006 & up, ensure that holes are not partially covered with any plastic grommet or rust? If it is, remove the plastic grommet & rust from the thread holes & re-try the installation.

2. Mounting Bracket are not getting Installed properly.

In some cases Illustration images shown in Installation manual may not be the exactly same as per actual vehicle images ,also if Driver / Passenger side mounting brackets are very identical in the design, suggest referring Parts Identification guide to avoid fitment issue.

3. Products are thumping / rattling after installation.

Ensure that all required mounting brackets / hardware's are installed & tighten correctly. Suggest using white lithium / regular grease between the metal to metal contact surfaces.

4. Side Bar is not aligning with vehicle / Step Pads are not aligning with vehicle doors.

Side bar may be interchanged or mounting brackets are not installed at the correct position in the vehicle. Refer Parts identification guide.

5. Missing / Excess Hardware.

Recheck hardware count as per the part list.

6. Product not installing properly.

Ensure make model year, cab length and bed size of your vehicle is listed in the application. All installation steps are followed correctly.

Check out these other TrailFX Products!!

www.TrailFX.com



SIDE BAR



HEADACHE RACKS



RUNNING BOARDS



ROCKER GUARDS

Keystone Automotive Operations Inc. (KAO) warrants this product to be free of defects in material and workmanship at the time of purchase by the original retail consumer. KAO disclaims any other warranties, express or implied, including the warranty of fitness for a particular purpose or an intended use. If the product is found to be defective, KAO may replace or repair the product at our option, when the product is returned prepaid, with proof of purchase. Alteration to, improper installation, or misuse of this product voids the warranty. KAO's liability is limited to repair or replacement of products found to be defective, and specifically excludes liability for any incidental or consequential loss or damage.