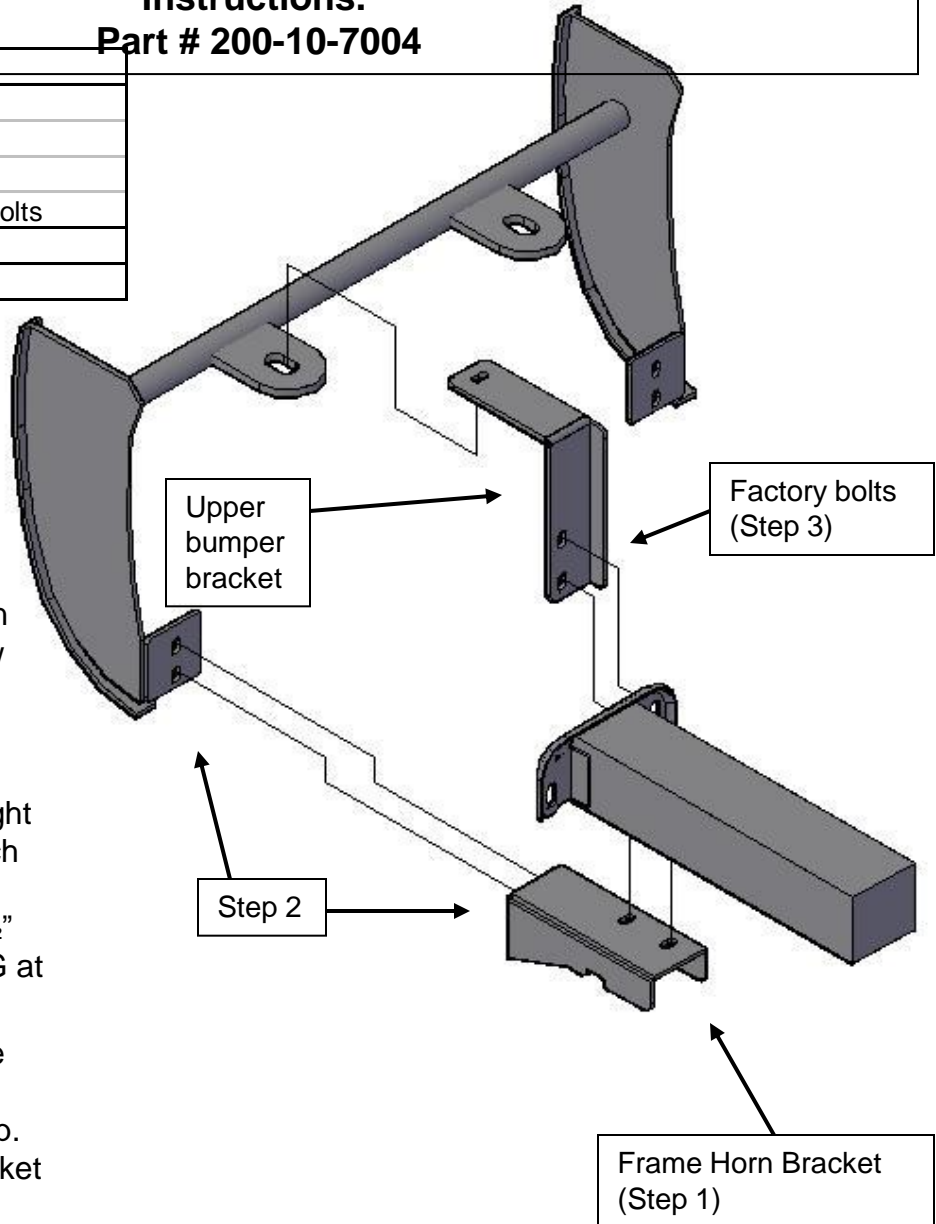


07-14 Ford Expedition (NO SENSORS) Grille Guard Installation Instructions.

Part # 200-10-7004

Quantity	Description
16	1/2 inch flat washers
6	1/2 inch Hex nuts
10	1/2 inch lock Washer
10	1/2 inch X 1-3/4 inch bolts
4	Frontier Plated Nuts
46	Total Pieces



Step 1: Remove factory tow hook if the truck has one. If not – remove plastic knock outs to expose frame. Mount Frame Horn Bracket as shown in the picture using the (2) tow hook bolt holes and use Frontier plated nuts on the INSIDE of frame to hold bolts.

Step 2: Once brackets are tight to vehicle frame you can attach the Grille Guard feet to the brackets using the provided 1/2” bolts. Go ahead and align GG at this point and tighten bolts!

Step 3: Remove the (2) inside frame cap bolts that hold the factory bumper onto frame cap. Install our Upper bumper bracket to these two frame cap holes using factory bolts

Step 4: Install Grille Guard to upper bumper brackets. Grille guards tabs will attach UNDER upper bumper bracket.

Step 5: When Grille is aligned tighten all bolts.