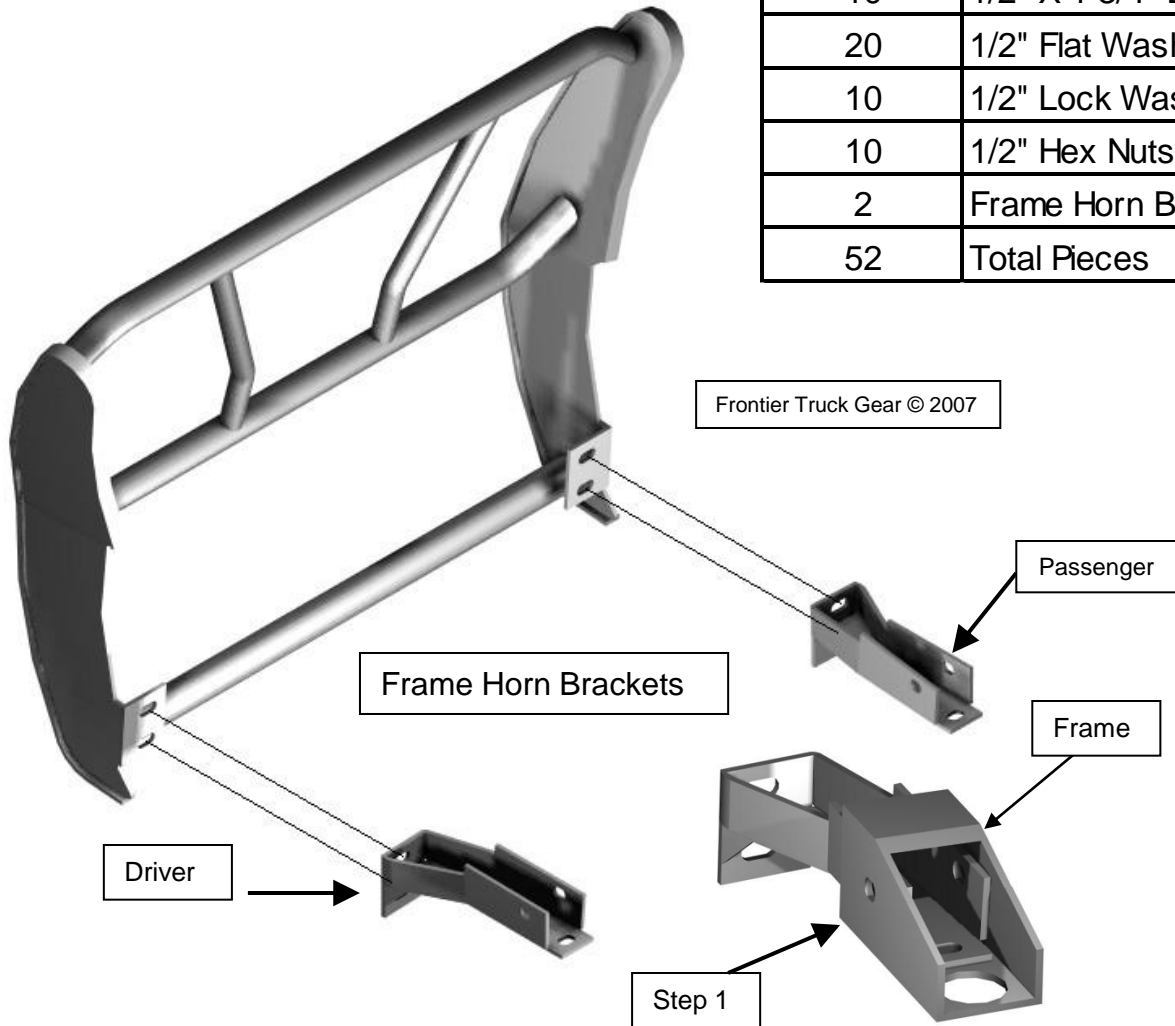


07-14 Yukon XL 2500 Grille Guard Installation Instructions.
Part # 200-30-7004

Bolt Bag Contents:

Quantity	Description
10	1/2" X 1 3/4" Bolts
20	1/2" Flat Washers
10	1/2" Lock Washer
10	1/2" Hex Nuts
2	Frame Horn Brackets
52	Total Pieces



Step 1: Remove factory tow hook if the truck has one. Mount Frame Horn Bracket as shown in the picture using the (3) tow hook bolt holes. **ATTENTION:** space is tight so work from the back to front when putting in bolts!! Use the large hole in the truck frame to access the back tow hook bolt.

Step 3: Once brackets are tight to vehicle frame you can attach the Grille Guard feet to the brackets using the provided bolts.

Step 4: Check alignment of Grille Guard to truck before tightening bolts on the feet.