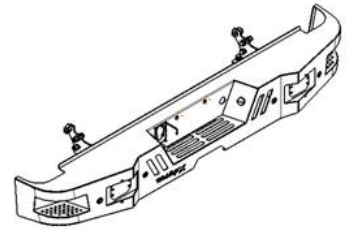




# Rear HD Bumper

## Part No. RHDB006TI



Fits: **2017 - Current Ford F250/350 Superduty**



ASSISTANCE IS HIGHLY RECOMMENDED



90-180 min



CUTTING NOT REQUIRED



DRILLING NOT REQUIRED



REMOVE CONTENTS FROM BOX. VERIFY ALL PARTS ARE PRESENT.



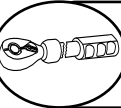
[support@trailfx.com](mailto:support@trailfx.com)



READ INSTRUCTIONS CAREFULLY BEFORE STARTING INSTALLATION.



1 866 638 4870



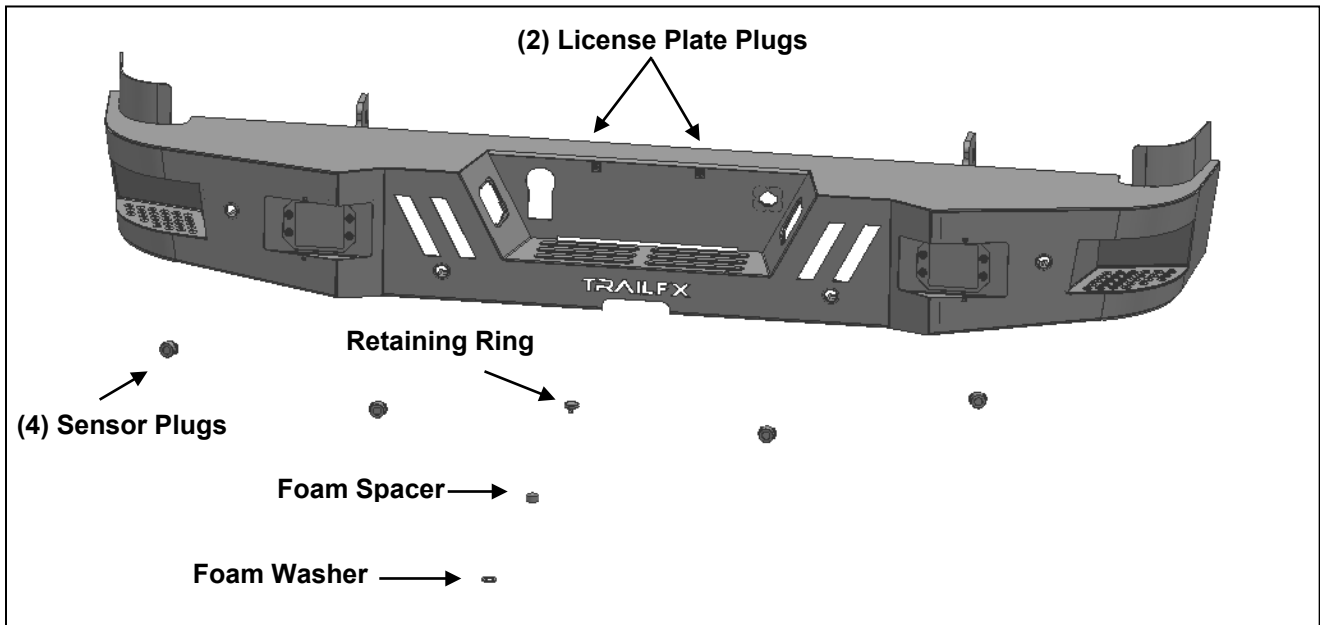
DO NOT OVER TORQUE. STANDARD OPERATING LOAD FOR TIGHTEN BODY MOUNT NUTS & BOLTS VARIES FROM **45 TO 65** FOOT POUND.



**WARRANTY** POLISHED STAINLESS STEEL - LIMITED LIFETIME  
POWDER COATED BLACK - 3 YEARS

### PARTS LIST:

Qty	Part Description	Qty	Part Description
1	HD1 Rear Bumper Assembly	4	15.5mm x 25mm x 2mm Foam Washers
2	Plastic Plugs for license plate mount	1	Sensor Covers Kit
4	Sensor Plugs	8	4mm x 10mm Socket Head Screws
4	Retaining Rings	1	4mm Wrench
4	20mm x 10mm Foam Spacers	1	2.5mm Wrench



**PROCEDURE:****BUMPER IS HEAVY, ASSISTANCE IS HIGHLY RECOMMENDED TO AVOID POSSIBLE INJURY OR DAMAGE TO THE VEHICLE.**

1. Remove the license plate and bracket. On models with back up sensors, unplug the harness leading to the bumper and sensors. Unplug the factory license plate lights remove them from the bumper. Unplug the trailer harness plug from the back of the bumper. Remove the outer plug from the bumper. Move the wiring harness away from the bumper, **(Figure 1)**.
2. Place blocks or jack stands under the bumper to support it during mounting bolt removal. Once the bumper has been safely supported, remove the (2) large hex nuts per side attaching the bumper to the brackets attached to the frame, **(Figure 2)**. **WARNING!** Assistance is required to hold the bumper in place during hardware removal to prevent the bumper from falling.
3. Once the bumper has been moved away from the vehicle, remove the bumper brackets from the frame, **(Figures 3 & 4)**. **NOTE:** Do not remove the 90-degree support brackets attached to the top of the receiver hitch, **(Figure 5)**.
4. **LED light installation at ends of bumper**, (lights sold separately).
  - a. Insert light into opening and up to mounting slots. Check for clearance between front and back of light. If necessary, remove the plate from the back of the opening for additional clearance or access to light, **(Figure 6)**.
  - b. Follow the light manufacturer's instructions to attach (1) light to the center slot or (2) lights to the inner and outer slots in the top of the light opening.
  - c. Repeat the above steps for passenger side light installation.
  - d. Follow light manufacturer's instructions to properly wire the light.
5. **NOTE:** Sensors, (if equipped), must be installed onto the back of the Bumper before installing the Bumper to the vehicle.

**Models without bumper sensors:**

- a. Select the included (4) Rubber Plugs.
- b. From behind bumper, push plugs into sensor mounting holes.

**Models with bumper mounted sensors:**

- a. Remove the small factory sealing washer from the sensor. Attach the provided larger (1) Foam Washer onto the front of the sensor, **(Figure 7)**.
  - b. Push the sensor in from the back of the Bumper until it is flush with the sensor sleeve. **NOTE:** Sensor tabs may need to be trimmed to fit sensor inside the sensor sleeve. Attach the adhesive side of (1) Foam Spacer to (1) Retaining Ring. Push the Retaining Ring into the sensor sleeve until it locks into the mounting holes, **(Figure 7)**.
  - c. Repeat the previous steps to install each sensor to the back of the Bumper.
6. With assistance, position the mounting plates on the back of the HD Bumper Assembly up to the outsides of the frame. Temporarily support the weight of the Bumper Assembly. **WARNING:** To avoid possible injury or damage to the vehicle, do not proceed until the Bumper is fully and safely supported.
  7. Line up the (4) holes in the passenger side mounting plate with the (2) holes in the side of the frame and the (2) holes in the support bracket on the hitch. Reuse the factory double bolt plates and hardware to attach the mounting plate to the frame and support bracket, **(Figure 8)**. Leave hardware loose. Repeat this Step to attach the driver side mounting plate.
  8. Slowly open the tail gate and check for clearance. Level and adjust the bumper as necessary and fully tighten all hardware.
  9. Select the (2) factory license plate lights. Push the lights into the holes in the Bumper, **(Figure 9)**.
  10. Install the trailer plug into the opening in the bumper. Reinstall the access hole lock for the spare tire, **(Figure 10)**.
  11. Reattach the wire harness running to the license plate lights and trailer plug.
  12. Use the included (2) push-in plastic nuts to attach the license plate to the (2) holes in the Bumper Assembly, **(Figure 10)**.
  13. Do periodic inspections to the installation to make sure that all hardware is secure and tight.

### Passenger/right Side Installation Pictured

Unplug and move all wiring harnesses away from bumper



(Fig 1) Trailer plug pictured

Remove the (4) factory hex nuts (2 per side)



(Fig 2) Remove hex nuts to remove bumper assembly

**WARNING!** Do not remove bumper bolts unless the bumper is properly supported on blocks or stands or the bumper may fall.

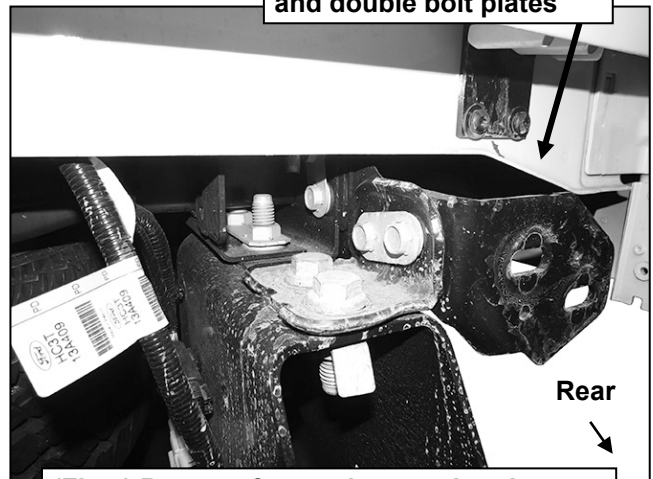
Remove bumper bracket and double bolt plates



(Fig 3) Remove factory bumper brackets

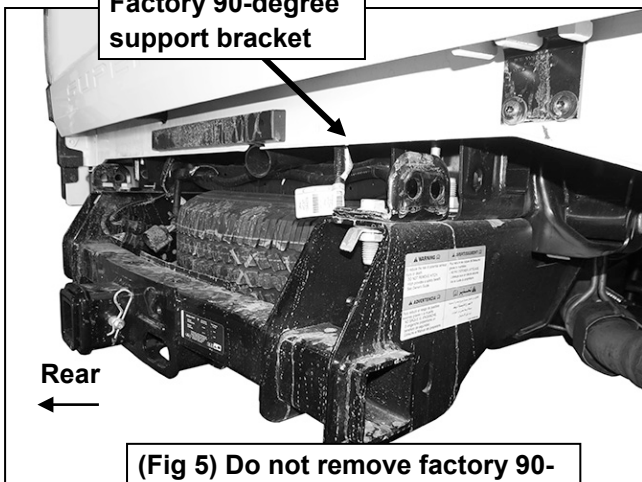
**WARNING!** Do not crawl under bumper unless the bumper is properly supported on blocks or stands or the bumper may fall.

Remove bumper bracket and double bolt plates



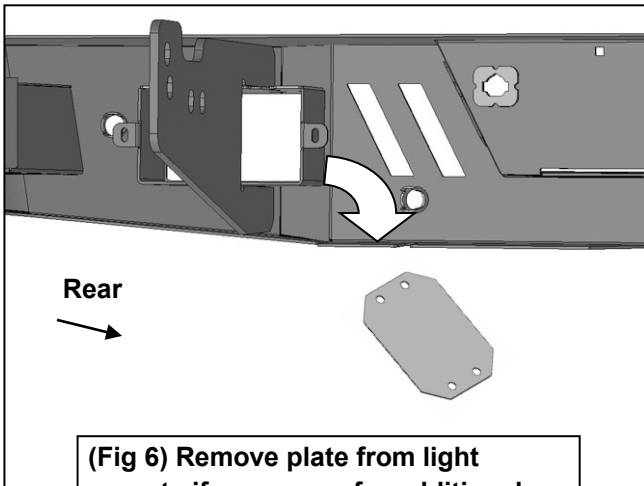
(Fig 4) Remove factory bumper brackets, do not remove 90-degree support bracket

Factory 90-degree support bracket

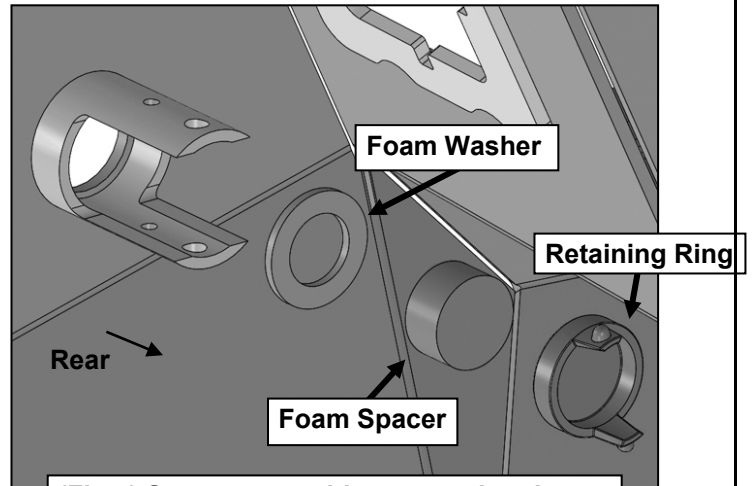


(Fig 5) Do not remove factory 90-degree support Brackets

### Passenger/right Side Installation Pictured

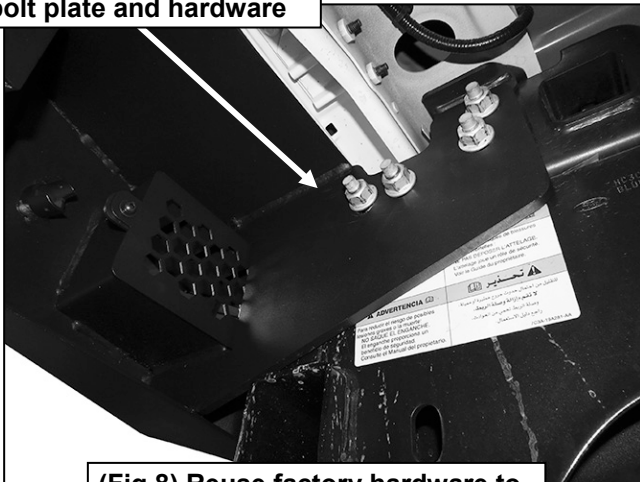


**(Fig 6) Remove plate from light mounts if necessary for additional clearance around or access to lights**

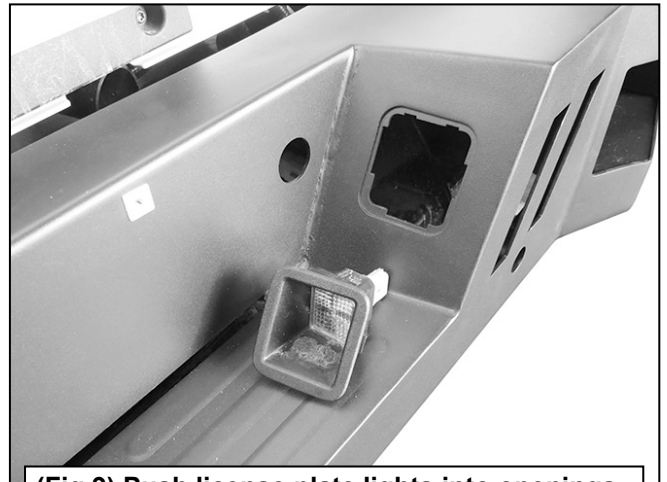


**(Fig 7) Sensor assembly mounted to the sensor sleeve on the back of the Bumper**

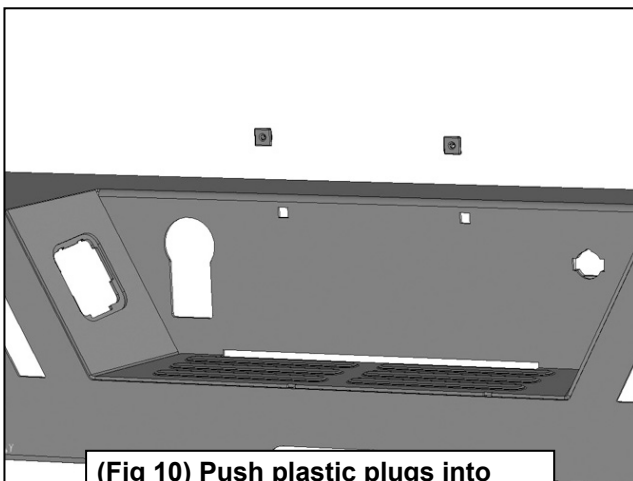
**Reuse factory double bolt plate and hardware**



**(Fig 8) Reuse factory hardware to attach mounting plate to side of bumper (passenger side pictured)**



**(Fig 9) Push license plate lights into openings**



**(Fig 10) Push plastic plugs into holes in Bumper for license plate**

**PRODUCT CARE**

- Periodically check the product to ensure all fasteners are tight and components are intact.
- Regular waxing is recommended to protect the finish of the product.
- **Use ONLY Non-Abrasive automotive wax.** Use of any soap, polish or wax that contains an abrasive is detrimental and can scratch the finish leading to corrosion.
- Aluminum polish may be used to polish small scratches and scuffs for **Stainless Steel finish.**
- Mild soap may be used to clean the product for both **Stainless Steel and Black finish.**

**FAQ'S****1. Hardware's are not of correct size.**

*In GMC / Chevrolet truck model 2006 & up, customer needs to reuse the factory body bolts to install the bracket. If your vehicle is not GMC / Chevrolet 2006 & up, ensure that holes are not partially covered with any plastic grommet or rust? If it is, remove the plastic grommet & rust from the thread holes & re-try the installation.*

**2. Mounting Bracket are not getting Installed properly.**

*In some cases Illustration images shown in Installation manual may not be the exactly same as per actual vehicle images ,also if Driver / Passenger side mounting brackets are very identical in the design, suggest referring Parts Identification guide to avoid fitment issue.*

**3. Products are thumping / rattling after installation.**

*Ensure that all required mounting brackets / hardware's are installed & tighten correctly. Suggest using white lithium / regular grease between the metal to metal contact surfaces.*

**4. Side Bar is not aligning with vehicle / Step Pads are not aligning with vehicle doors.**

*Side bar may be interchanged or mounting brackets are not installed at the correct position in the vehicle. Refer Parts identification guide.*

**5. Missing / Excess Hardware.**

*Recheck hardware count as per the part list.*

**6. Product not installing properly.**

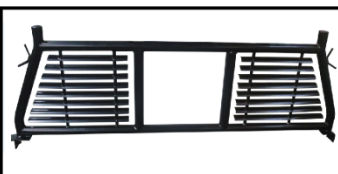
*Ensure make model year, cab length and bed size of your vehicle is listed in the application. All installation steps are followed correctly.*

**Check out these other TrailFX Products!!**

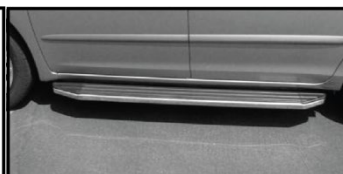
**www.TrailFX.com**



**SIDE BAR**



**HEADACHE RACKS**



**RUNNING BOARDS**



**ROCKER GUARDS**

*Keystone Automotive Operations Inc. (KAO) warrants this product to be free of defects in material and workmanship at the time of purchase by the original retail consumer. KAO disclaims any other warranties, express or implied, including the warranty of fitness for a particular purpose or an intended use. If the product is found to be defective, KAO may replace or repair the product at our option, when the product is returned prepaid, with proof of purchase. Alteration to, improper installation, or misuse of this product voids the warranty. KAO's liability is limited to repair or replacement of products found to be defective, and specifically excludes liability for any incidental or consequential loss or damage.*