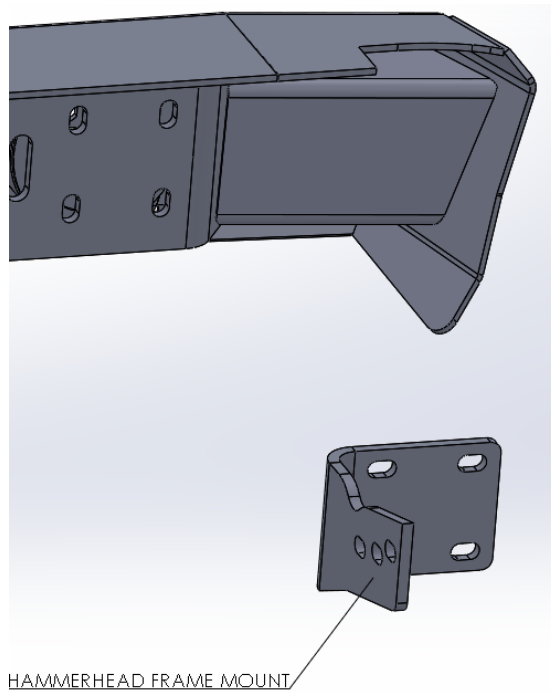
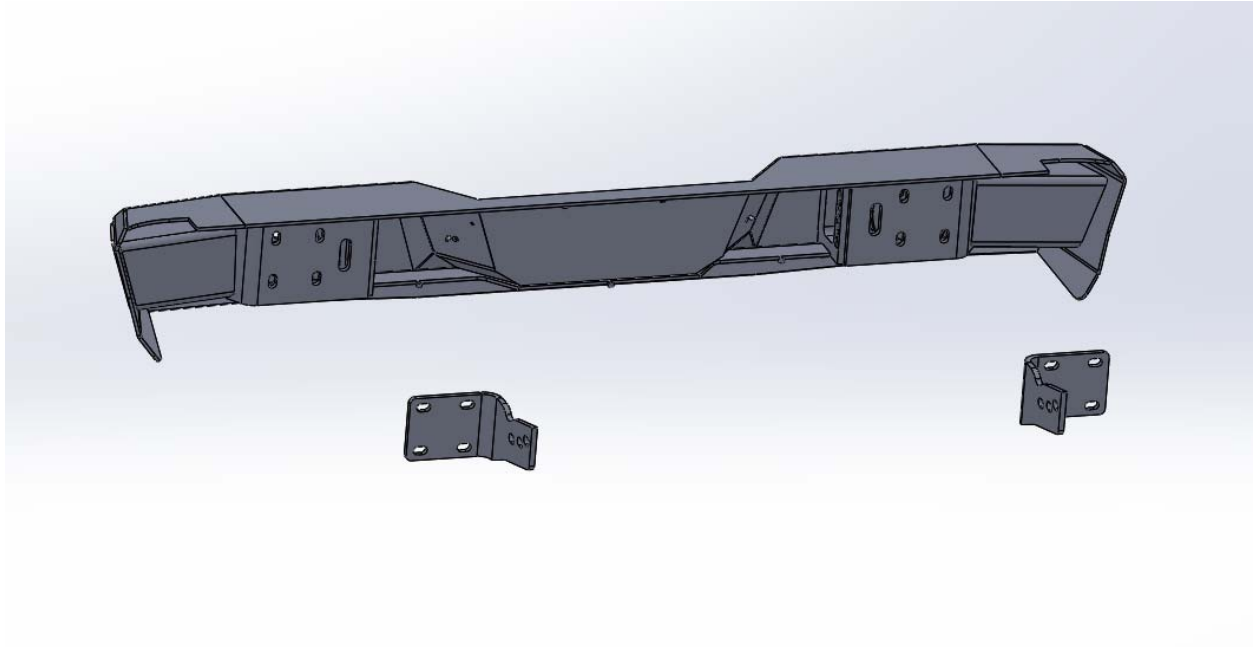


1994-2002 Dodge 1500-3500 Rear Bumper Install

Use OEM hardware to attach Hammerhead frame mounts to OEM frame.

Use hardware from Kit #1 to attach bumper to Hammerhead frame mounts.



HAMMERHEAD FRAME MOUNT

4 INCH ROUND LIGHT INSTALLATION

1. Place light in light mount.
2. Hold grommet as shown and install in mount.



3. Push light from front of bumper and seat in grommet as shown.



4" ROUND REVERSE LIGHT WIRING

1. Black – not used (can be cut off)
2. Red – positive (wire to positive side of reverse lights)
3. White – ground (wire to negative side of reverse lights)

