

# 2011-2014, CHEVY/GMC, 2500-3500

## REAR BUMPER INSTALLATION INSTRUCTIONS



## SAFETY

**Know safety, no injury. Know injury, no safety. ~Author Unknown**

If there are any questions, call 1-855-HHTOUGH

- **READ ALL SAFETY INSTRUCTIONS BEFORE INSTALLATION**
  - FOLLOW ALL INSTRUCTIONS FOR PROPER ASSEMBLY
  - WEAR APPROPRIATE EYE PROTECTION
  - EXERCISE CARE WHEN LIFTING COMPONENTS
  - USE APPROPRIATE TORQUE FOR BOLTS
  - BLUE THREAD LOCKING COMPOUND IS RECOMMENDED ON ALL BOLTS





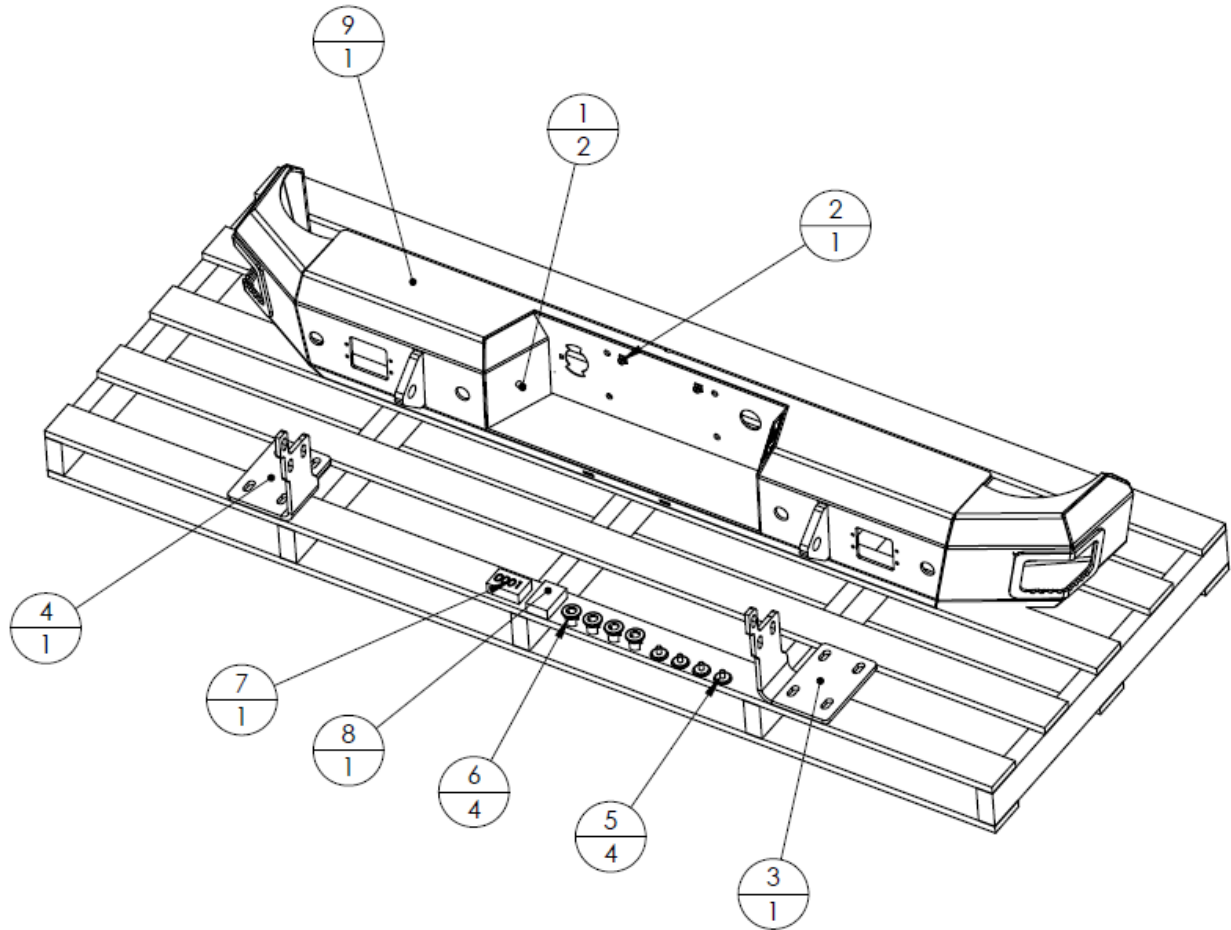
X00-56-0533

<b>Suggested Torque Values For Steel Grade 5 Standard Bolts</b>		
BOLT DIAMETER (INCH)	THREADS PER INCH	TORQUE (POUND - FEET)
1/4	20	7
5/16	18	14
3/8	16	25
7/16	14	40
1/2	13	60
9/16	12	88
5/8	11	120
3/4	10	200
7/8	9	302
1	8	466

<b>Suggested Torque Values For Steel Grade 8.8 Metric Bolts</b>		
BOLT DIAMETER (mm)	THREAD PITCH (mm)	TORQUE (POUND- FEET)
6	1.0	7
8	1.25	16
10	1.5	32
12	1.75	55
14	2.0	88
16	2.0	140
18	2.5	195
20	2.5	275
22	2.5	375
24	3.0	475

**I. PARTS LIST**

ITEM NO.	QTY.	PART NUMBER	DESCRIPTION	
1	2	307-07-0008	12V COOL WHITE LED 120DEG BLK	-
2	1	443-01-0086	LICENSE PLATE MOUNTING KIT	-
3	1	601-56-1504	PAINTED PASS FRAME MOUNT	-
4	1	601-56-1505	PAINTED DRIVER FRAME MOUNT	-
5	4	601-56-2316	OUTSIDE PLUG	-
6	4	601-56-2401	2014 GM SENSOR SOLUTION	-
7	1	60K-56-0001	HARDWARE KIT #1	-
8	1	60K-56-0018	HARDWARE KIT #18	-
9	1	60P-56-0533	600-56-0533 POLISHED	-



**REMOVE CONTENTS FROM BOX AND VERIFY ALL PARTS ARE PRESENT.**

**If there are any questions, call 1-855-HHTOUGH or email [HHORDERS@hammerheadarmor.com](mailto:HHORDERS@hammerheadarmor.com)**

## II. TOOL LIST

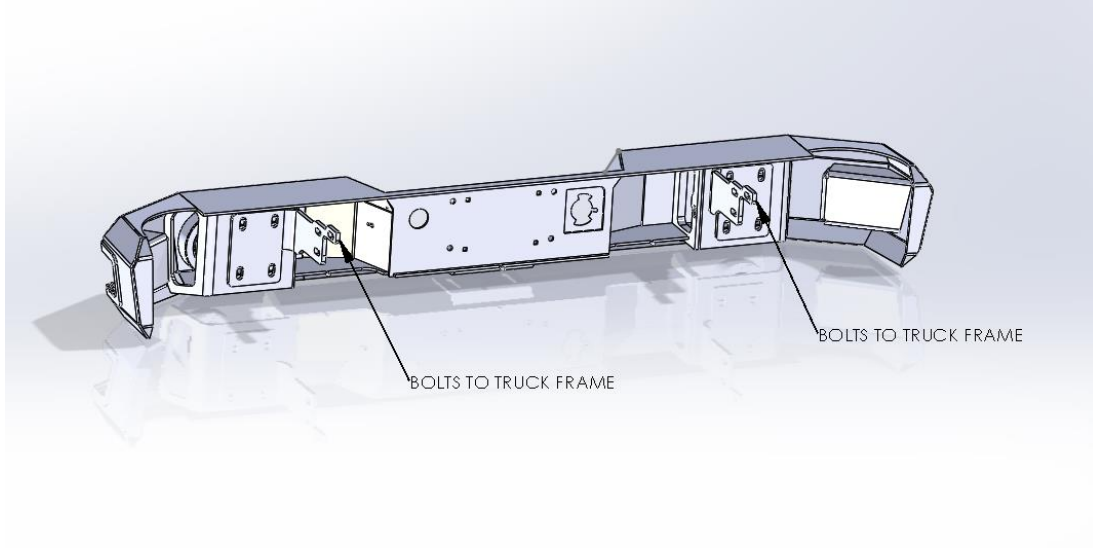
1. Basic tool set
  2. 18mm socket
  3. 22mm socket
  4. 15mm socket
  5. 3/4" socket
  6. 3/4" wrench
- 
1. Unplug trailer connector, license plate lights, and sensor harness.
  2. Using an 18mm socket, remove the bolts attaching the bumper to the receiver hitch.
  3. Using a 22mm socket, remove two bolts attaching the bumper mount to the frame and receiver hitch. These bolts can be accessed from the bottom of the receiver hitch.
  4. Using a 22mm socket, remove two bolts from the frame attaching the bumper mount. They can be accessed from the outside of the frame behind the rear leaf spring mount. (both sides)

X00-56-0533

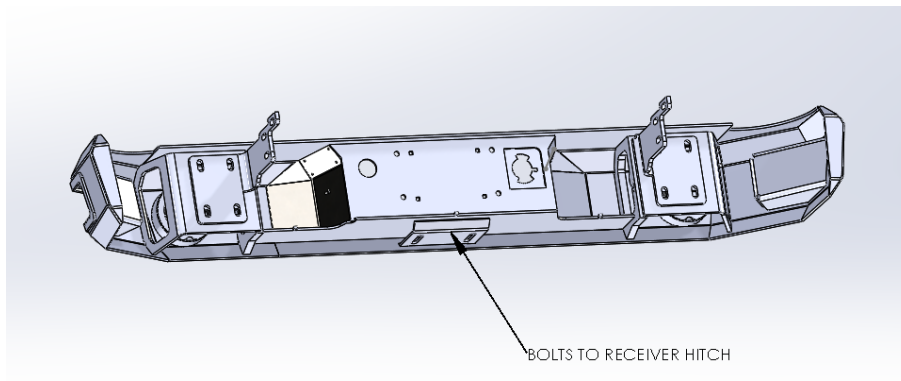
5. Using a 15mm socket, remove one bolt from the frame attaching the bumper mount. It can be accessed from the outside of the frame behind the rear leaf spring mount.
6. Remove bumper and set aside.
7. Remove OE spare tire access cover and trailer plug from bumper. Set aside. They will be reused.

### III. INSTALLATION OF HAMMERHEAD BUMPER

1. Install all OE and optional accessories in bumper at this time.
2. Using hardware kit # Install Hammerhead frame mounts on frame. Do not fully tighten.



3. Attach bumper to frame mounts using hardware kit #1. Start all bolts before aligning bumper. Align bumper a minimum of 1/4" from truck. When truck flexes off-road, this distance allows your bumper and body to have clearance. Tighten bolts with 3/4" socket and wrench. Tighten frame mount bolts at this time.
4. Attach bumper to receiver hitch at this time.



X00-56-0533

5. Wire up license plate lights to OE license plate wiring harness.



Congratulations! Your product installation is now complete.  
Thank you for your purchase.