

2007-2017 Jeep Wrangler JK

MINIMALIST REAR BUMPER INSTALLATION INSTRUCTIONS



SAFETY

Know safety, no injury. Know injury, no safety. ~Author Unknown

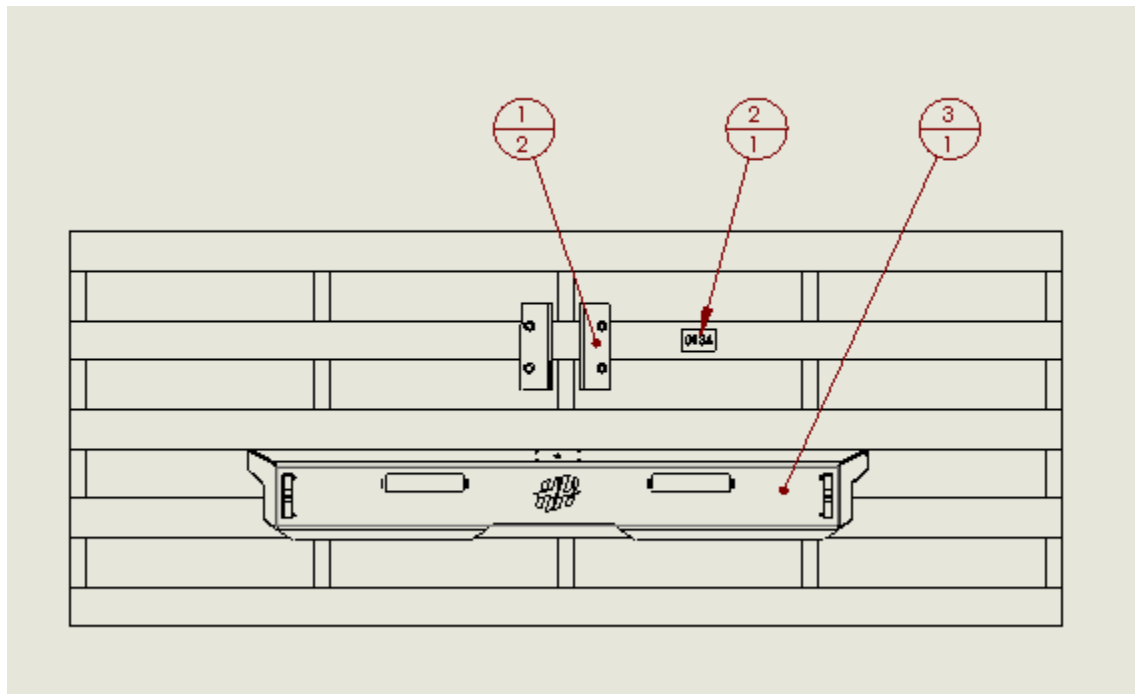
- **READ ALL INSTRUCTIONS BEFORE INSTALLATION**
 - FOLLOW ALL INSTRUCTIONS FOR PROPER ASSEMBLY
 - WEAR APPROPRIATE EYE PROTECTION
 - EXERCISE CARE WHEN LIFTING COMPONENTS
 - USE APPROPRIATE TORQUE FOR BOLTS
 - BLUE THREAD LOCKING COMPOUND IS RECOMMENDED ON ALL BOLTS
 - CHECK TORQUE AFTER FIRST 100 MILES



2007-2013 Jeep Wrangler JK Rear Bumper

I. PARTS LIST

ITEM NO.	QTY.	PART NUMBER	DESCRIPTION
1	2	601-56-2198	N PLATE 2 WELDMENT
2	1	60K-56-0136	HARDWARE KIT # 136
3	1	60P-56-0687	JEEP JK REAR MINIMALIST BUMPER



II. TOOL LIST

1. 16mm Wrench/Socket
2. 3/4" Socket/Wrench
3. 19mm Socket



2007-2013 Jeep Wrangler JK Rear Bumper

III. REMOVAL OF OEM BUMPER

1. Using 16mm socket remove two bolts from bumper brackets to the frame (both sides). See Figure 1. Set aside; they will be reused.



Figure 1:

2. . Using 16mm socket remove two bolts located on the center of plastic OE bumper. See figure 2



Figure 2



2007-2013 Jeep Wrangler JK Rear Bumper

3. Open Jeep rear door and swing out till it is at its fully open position. See Figure 3.



Figure 3

4. Carefully Remove OE bumper and set aside. See Figure 4.



Figure 4



2007-2013 Jeep Wrangler JK Rear Bumper

5. Using 16mm remove two bolts holding on brackets to receiver hitch. See Figure 5



Figure 5

6. Remove brackets and set aside. See Figure 6



Figure 6



2007-2013 Jeep Wrangler JK Rear Bumper

7. Using 19mm socket remove 2 bolts on the side of the driver side frame rail. See Figure 7.

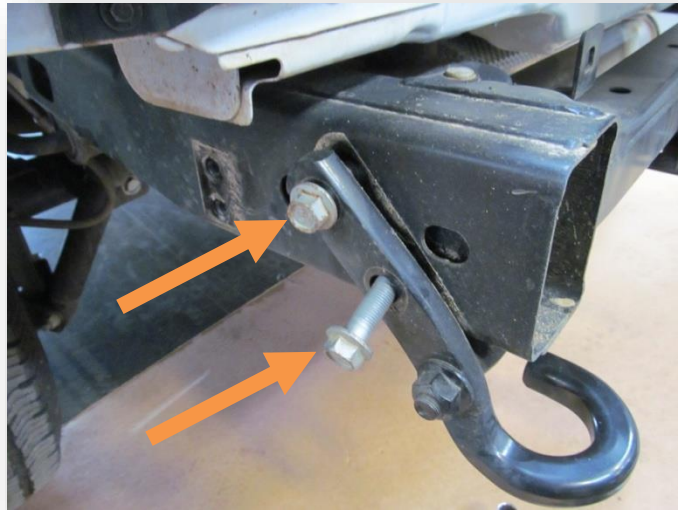


Figure 7

8. Using 19 mm socket remove single bolt holding on tow hook on the bottom of driver side frame rail. See figure 8.

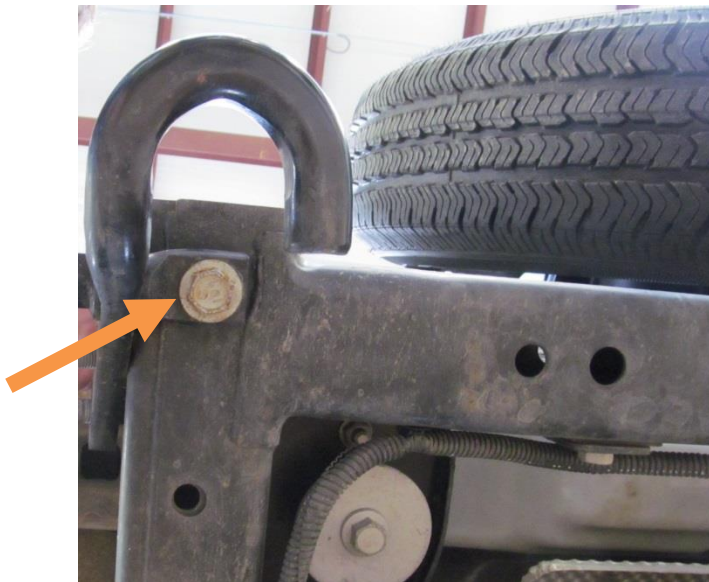


Figure 8.



2007-2013 Jeep Wrangler JK Rear Bumper

9. Remove tow hook and set to the side. See Figure 9



Figure 9

10. From the inside of driver side frame rail remove tow hook bracket. See Figure 10



Figure 10



2007-2013 Jeep Wrangler JK Rear Bumper

III. INSTALL INSTRUCTIONS

1. Place the N plates on the inside of the frame. Both sides See Figure 11 and 12.



Figure 11



Figure 12



2007-2013 Jeep Wrangler JK Rear Bumper

2. Slide Hammerhead bumper over outside of Jeep frame rails and install two OE bumper bolts (removed in step 1) with 16mm socket. Do not fully tighten. (both sides)
3. Install one ½"-13 x 1.5" bolt, flat washer, and lock washer using ¾" socket. (both sides) Do not fully tighten.

Congratulations!!

