

# 2018-20XX FORD F-150

## Winch Bumper – Sheet metal bguard

### INSTALLATION INSTRUCTIONS



## SAFETY

**Know safety, no injury. Know injury, no safety. ~Author Unknown**

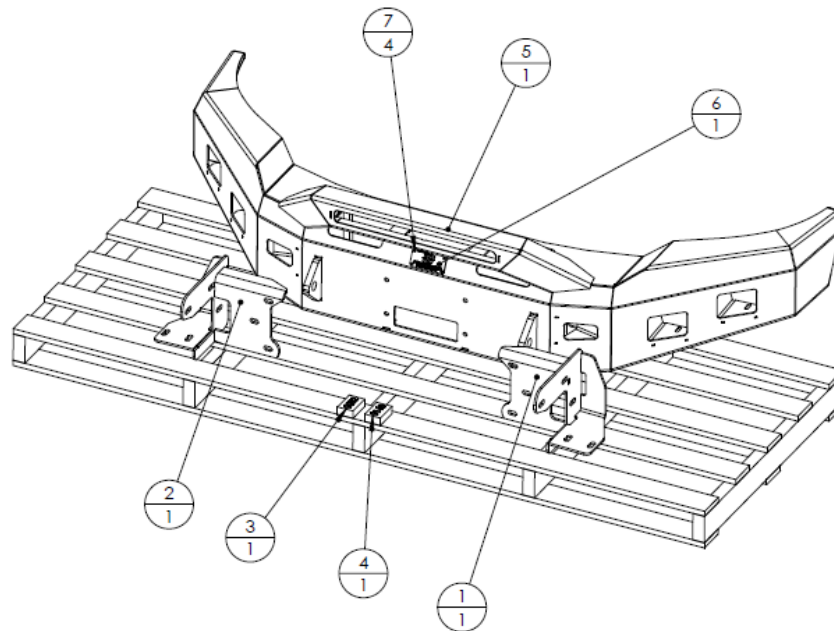
If there are any questions, call 1-855-HHTOUGH

- **READ ALL SAFETY INSTRUCTIONS BEFORE INSTALLATION**
  - FOLLOW ALL INSTRUCTIONS FOR PROPER ASSEMBLY
  - WEAR APPROPRIATE EYE PROTECTION
  - EXERCISE CARE WHEN LIFTING COMPONENTS
  - USE APPROPRIATE TORQUE FOR BOLTS

SUGGESTED TORQUE VALUES FOR STEEL GRADE SAE 5 BOLTS

BOLT DIAMETER (INCH)	TREADS PER INCH	TORQUE (POUND-FEET)
1/4	20	7
5/16	18	14
3/8	16	25
7/16	14	40
1/2	13	60
9/16	12	88
5/8	11	120
3/4	10	200
7/8	9	302
1	8	466

## I. PARTS LIST



ITEM NO.	QTY.	PART NUMBER	DESCRIPTION
1	1	601-56-4261	RIGHT FRAME MOUNT WELDMENT
2	1	601-56-4262	LEFT FRAME MOUNT WELDMENT
3	1	60K-56-0052	HARDWARE KIT #52
4	1	60K-56-0148	HARDWARE KIT #148
5	1	60A-56-0899	600-56-0899 ASSEMBLED

## II. TOOL LIST

1. Basic tool set
2. Blue masking tape
3. 7/16" socket
4. 7/16" wrench
5. 15mm socket
6. 21mm socket
7. 3/4" socket
8. 3/4" wrench
9. Trim tool or flathead screwdriver

### III. REMOVAL OF BUMPER

1. Disconnect battery.
2. Using blue masking tape, mask along the profile of your truck above the bumper. This will help protect your truck from accidental scratches.
3. Unplug the fog lights and adaptive cruise control (if applicable).
4. Using a trim tool or flathead screwdriver, remove plastic covers from above tow hooks (both sides)



5. Using a 7/16" socket, remove the Adaptive cruise control unit (if applicable).



6. Next, Using a 21mm socket, remove 1 nut from the back side of the bumper (Both Sides)



7. Using the 21mm socket from step 6, remove the 2 front nuts holding the OE bumper to the truck (Both Sides). Once these are removed, pull the bumper away from the truck and place it out of the way. Hold on to the nuts and bolt strips, they will be used again.



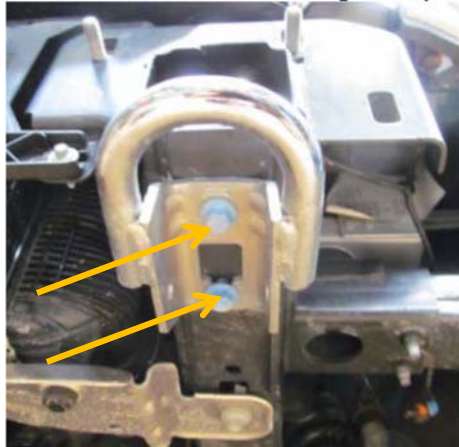
8. Using a trim tool or flathead screwdriver, remove the air shroud from the front of the truck.



9. Remove OE tow hook shroud by pulling away from the truck. (Both sides)



10. Using a 15mm socket, remove 2 bolts attaching OE tow hook to frame. Set tow hook aside (both sides). Hold on to the bolts and nut strips, they will be used again.



#### IV. INSTALLATION OF HAMMERHEAD BUMPER

1. Lay bumper face down on a carpeted surface or a piece of cardboard. Install all lights and winch in bumper at this time.
2. Layout frame mounts, OE bolt strips, OE nut strips, and hardware from kit #148 as shown:



3. Using a 15mm socket, 21mm socket, and a 3/4" socket, install Hammerhead frame mounts on frame as shown. Do not fully tighten.





4. Using a hoist or a few friends, attach bumper to frame mounts using a  $\frac{3}{4}$ " socket and hardware from hardware kit #52. Start all bolts before aligning bumper. Align bumper a minimum of  $\frac{1}{4}$ " below headlights. When truck flexes off-road, this distance allows your bumper and body to have clearance. Tighten bolts with  $\frac{3}{4}$ " socket and wrench. Tighten frame mount bolts at this time.

Congratulations! Your product installation is now complete.  
Thank you for your purchase.