

2019 – 20XX DODGE 1500

REAR BUMPER INSTALLATION INSTRUCTIONS



SAFETY

Know Safety, no injury. Know injury, no safety. ~Author Unknown
If there are any questions, call 1-855-HHTOUGH

- **READ ALL SAFETY INSTRUCTIONS BEFORE INSTALLATION**
 - FOLLOW ALL INSTRUCTIONS FOR PROPER ASSEMBLY
 - WEAR APPROPRIATE EYE PROTECTION
 - EXERCISE CARE WHEN LIFTING COMPONENTS
 - USE APPROPRIATE TORQUE FOR BOLTS
 - BLUE THREAD LOCKING COMPOUND IS RECOMMENDED ON ALL BOLTS





600-56-0969, 0970

Suggested Torque Values For Steel Grade 5 Standard Bolts

BOLT DIAMETER (INCH)	THREADS PER INCH	TORQUE (POUND - FEET)
1/4	20	7
5/16	18	14
3/8	16	25
7/16	14	40
1/2	13	60
9/16	12	88
5/8	11	120
3/4	10	200
7/8	9	302
1	8	466

Suggested Torque Values For Steel Grade 8.8 Metric Bolts

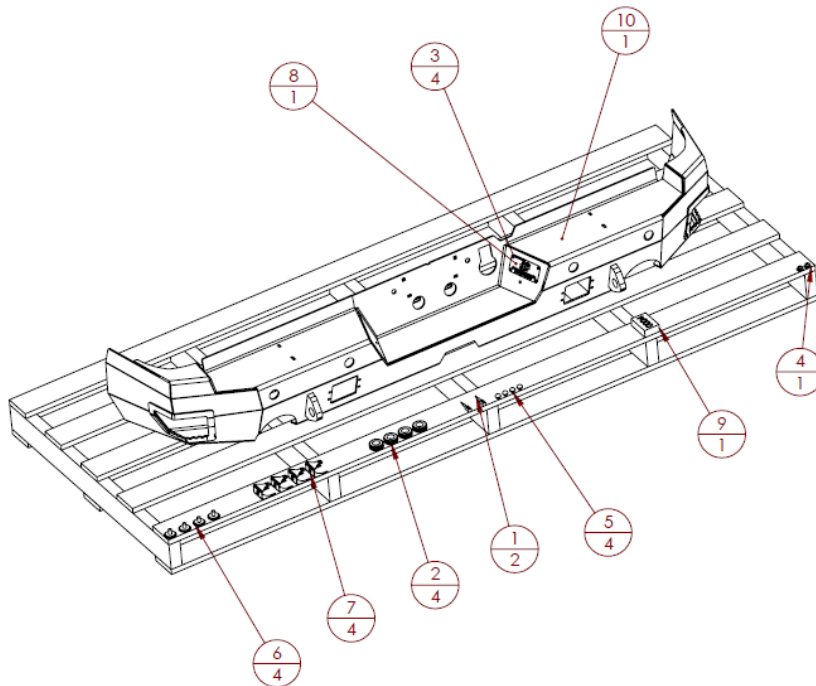
BOLT DIAMETER (mm)	THREAD PITCH (mm)	TORQUE (POUND-FEET)
6	1.0	7
8	1.25	16
10	1.5	32
12	1.75	55
14	2.0	88
16	2.0	140
18	2.5	195
20	2.5	275
22	2.5	375
24	3.0	475



600-56-0969, 0970

I. PARTS LIST

ITEM NO.	QTY.	PART NUMBER	DESCRIPTION
1	2	307-07-0008	12V COOL WHITE LED 120DEG BLK
2	4	307-13-0231	PARK ASSIST SENSOR GROMMET
3	4	318-12-0005	0.188" X 0.125" AL POP RIVET
4	1	443-01-0086	LICENSE PLATE MOUNTING KIT
5	4	443-10-0927	PUSH IN BUMPER 5/16" HOLE SIZE
6	4	601-56-2316	OUTSIDE PLUG
7	4	601-56-2711	SENSOR CLIP
8	1	601-56-9992	BLACK HAMMERHEAD LABEL W/ HOLES
9	1	60K-56-0004	HARDWARE KIT #4
10	1	60P-56-0969	600-56-0969 POLISHED



REMOVE CONTENTS FROM BOX AND VERIFY ALL PARTS ARE PRESENT.

If there are any questions, call 1-855 HHTOUGH or email HHORDERS@hammerheadarmor.com

II. TOOL LIST

1. A Good Friend
2. Basic Tool Kit
3. Blue Masking Tape
4. Trim Tool
5. Philips head screwdriver
6. 15mm socket
7. 16mm socket
8. 3/4" socket
9. 3/4" wrench

III. VEHICLE PREPARATION

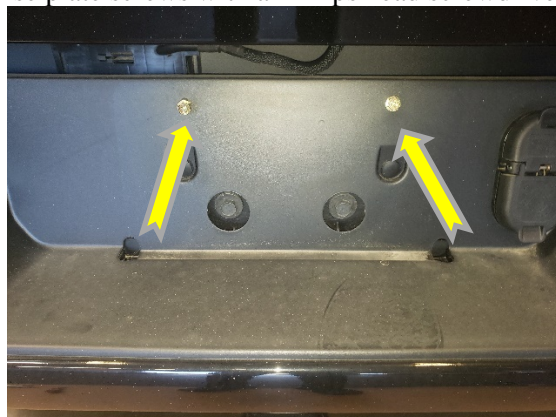
1. Park vehicle on level surface.
2. Engage parking brake and disconnect battery.
3. Using blue masking tape, mask along the profile of your truck above the bumper. This will help protect your truck from any accidental scratches.

IV. REMOVAL OF OE BUMPER

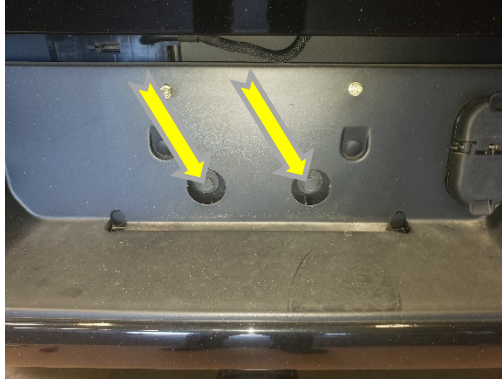
1. Unplug large wire connector on the driver's side of the vehicle as shown below.



2. Undo the two Christmas trees holding the above wire to the frame
3. Remove the two license plate screws with a Philips head screwdriver.



4. Remove the two bolts behind the tag using a 15mm socket



5. Remove the two nuts holding the bumper to the frame on both sides. You will use a 16mm socket.



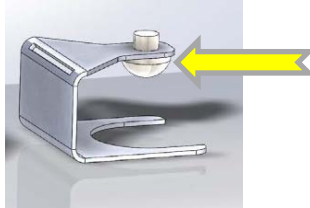
6. Bumper is now ready to remove.

V. INSTALLATION OF HAMMERHEAD BUMPER

1. Place bumper on a carpeted surface or piece of cardboard. Install all OE and optional accessories at this time (sensors, trailer plug, LED lights)
2. For bumpers with sensors, install rubber grommets in bumper. Place a drop of dish washing soap on each sensor to lubricate it. Install OE sensors in bumper. The sensor's plugs need to be oriented the same way they are in the OE bumper.

NOTE: DO NOT TWIST SENSOR WHILE INSTALLING. THIS WILL DAMAGE IT.

3. Install rubber bumper (arrow) in sensor clip. Some trucks have four sensors and some have six. For trucks with four sensors, leave sensor plugs in side holes.



4. Slide sensor clip over grommet and ensure rubber bumper touches the back of the sensor. This clip will retain the sensor in the grommet.



5. Install OE wiring harnesses and plug sensors in.

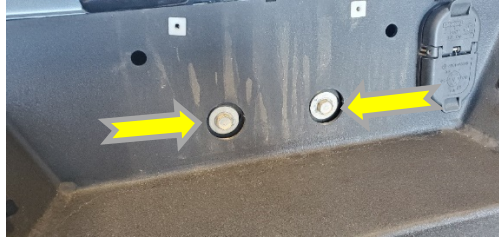
6. In this step, you will install the trailer plug connector. Use a small flathead screwdriver to remove the small stainless clips on the plastic housing. Gently pry up on the middle of the clip and slide the clip away from the housing. (in the direction of the arrow) (both sides) Place the plastic housing in the bumper and replace the clips. You will need to pry outward on the clips to get them to seat correctly.





600-56-0969, 0970

7. Lift bumper onto the truck and install the two OE bolts from behind the tag using a 15mm socket. Do not tighten.



3. Install (4) bolts, (8) flat washers, (4) lock washers, and (4) hex nuts from hardware kit #4 into the bumper mounts.



4. Align and level bumper with the truck. Tighten the center bolts with a 15mm socket and bumper mount bolts with a 3/4 wrench and socket. Install license plate mounting kit and license plate on bumper.



**Congratulations! Your Installation is now complete.
Thank You for your purchase!**