

**2019-20XX/RAM 1500
X SERIES FULL BGUARD
FRONT BUMPER INSTALLATION INSTRUCTIONS**



SAFETY

Know Safety, no injury. Know injury, no safety. ~Author Unknown
If there are any questions, call 1-855-HHTOUGH

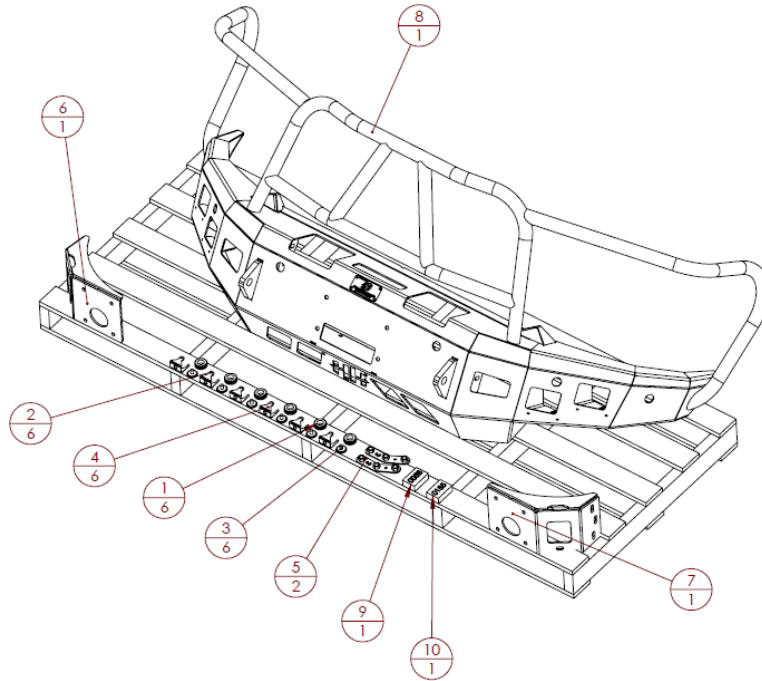
- **READ ALL SAFETY INSTRUCTIONS BEFORE INSTALLATION**
 - FOLLOW ALL INSTRUCTIONS FOR PROPER ASSEMBLY
 - WEAR APPROPRIATE EYE PROTECTION
 - EXERCISE CARE WHEN LIFTING COMPONENTS
 - USE APPROPRIATE TORQUE FOR BOLTS
 - BLUE THREAD LOCKING COMPOUND IS RECOMMENDED ON ALL BOLTS

SUGGESTED TORQUE VALUES FOR STEEL GRADE SAE 5 BOLTS

BOLT DIAMETER (INCH)	TREADS PER INCH	TORQUE (POUND-FEET)
1/4	20	7
5/16	18	14
3/8	16	25
7/16	14	40
1/2	13	60
9/16	12	88
5/8	11	120
3/4	10	200
7/8	9	302
1	8	466

I. PARTS LIST

ITEM NO.	QTY	PART NUMBER	DESCRIPTION	
1	6	307-13-0231	PARK ASSIST SENSOR GROMMET	-
2	6	443-10-0927	PUSH IN BUMPER 5/16" HOLE SIZE	-
3	6	601-56-2316	OUTSIDE PLUG	-
4	6	601-56-2711	SENSOR CLIP	-
5	2	601-56-2868	WELDNUT TAB 3	-
6	1	601-56-5053	RIGHT FRAME MOUNT	-
7	1	601-56-5054	LEFT FRAME MOUNT	-
8	1	60A-56-0980	600-56-0980 ASSEMBLED	-
9	1	60K-56-0058	HARDWARE KIT #58	-
10	1	60K-56-0185	HARDWARE KIT #185	-



REMOVE CONTENTS FROM BOX AND VERIFY ALL PARTS ARE PRESENT.

If there are any questions, call 1-855 HHTOUGH or email HHORDERS@hammerheadarmor.com

II. TOOL LIST

1. A Good Friend
2. Basic Tool Kit
3. Blue Masking Tape
4. Trim Tool
5. 8mm socket
6. 13mm socket
7. 18mm socket
8. 21mm socket
9. 3/4" wrench or socket

III. VEHICLE PREPARATION

1. Park vehicle on level surface.
2. Engage parking brake and disconnect battery.
3. Using blue masking tape, mask along the profile of your truck above the bumper. This will help protect your truck from any accidental scratches.

IV. REMOVAL OF OE BUMPER

1. Unplug fog light and sensor harness. This harness is located in front of the left side tire.



2. Using an 8mm socket, remove two bolts attaching lower plastic inner fender to truck frame. (both sides)



3. Unplug automatic spoiler located under bumper. Using a 13mm socket, remove four nuts attaching it to frame. Set assembly aside, it will not be reused.





600-56-0850

4. Using an 18mm socket or wrench, remove three nuts attaching bumper to frame. (both sides) Bumper is ready to remove from truck at this time. Remove and set aside.
5. Using an 18mm socket and a 21mm socket, remove the tow hooks. Set tow hooks aside.



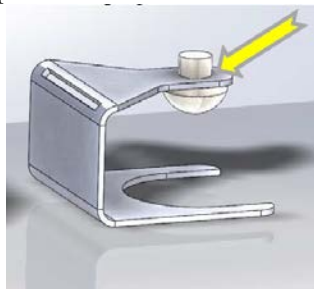
IMPORTANT: Reinstall the 18mm bolts now. They attach your body to your frame. This is very important.

V. INSTALLATION OF HAMMERHEAD BUMPER

1. Lay bumper face down on a carpeted surface or piece of cardboard. Install lights in bumper using brackets and hardware provided by light manufacturer.
2. For bumpers with sensors, install rubber grommets in bumper. Place a drop of dishwashing soap on each sensor to lubricate it. Install OE sensors in bumper. The sensor's plugs need to be oriented the same way they are in the OE bumper.

NOTE: DO NOT TWIST SENSOR WHILE INSTALLING. THIS WILL DAMAGE IT.

3. Install rubber bumper (arrow) in sensor clip.



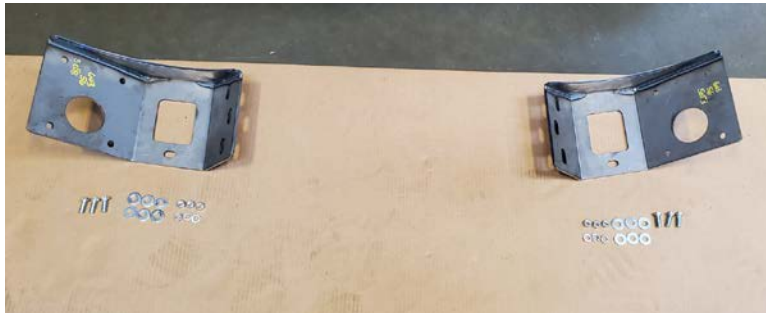
4. Slide sensor clip over grommet and ensure rubber bumper touches the back of the sensor. This clip will retain the sensor in the grommet.





600-56-0850

5. Install OE wiring harnesses and plug sensors in.
6. Layout frame mounts and hardware kit #185 as shown.



7. Attach frame mounts to frame as shown. Do not fully tighten.



8. Using a hoist or a few friends, attach bumper to frame mounts using hardware kit #58 and weldnut tabs. Start all bolts before aligning bumper. Leave a minimum of 3/8" space between bumper and truck body. When the truck flexes off-road, this distance allows your bumper and truck body to have clearance. Tighten bolts with 3/4" socket and wrench. Tighten frame mount bolts at this time.



**Congratulations! Your Installation is now complete.
Thank You for your purchase!**