

2019-CURRENT RAM 25-3500 DEFENDER SERIES GRILLE GAURD

INSTALLATION INSTRUCTIONS



FOLLOW US ON SOCIAL MEDIA!



@HAMMERHEADARMOR

SAFETY

Know Safety, no injury. Know injury, no safety. ~Author Unknown
If there are any questions, call 1-855-HHTOUGH

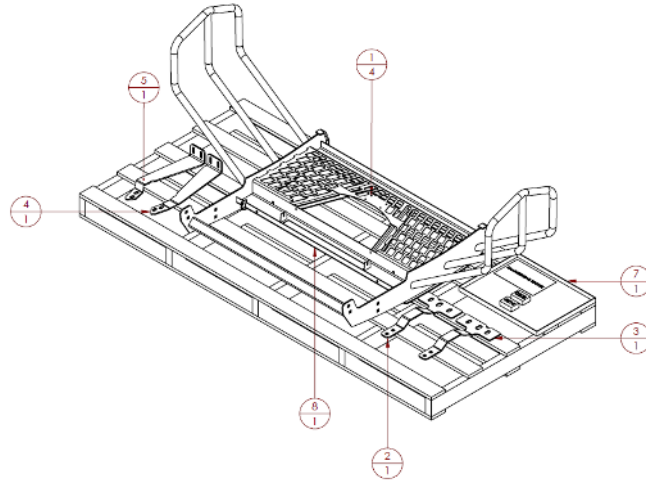
- **READ ALL SAFETY INSTRUCTIONS BEFORE INSTALLATION**
 - FOLLOW ALL INSTRUCTIONS FOR PROPER ASSEMBLY
 - WEAR APPROPRIATE EYE PROTECTION
 - EXERCISE CARE WHEN LIFTING COMPONENTS
 - USE APPROPRIATE TORQUE FOR BOLTS
 - BLUE THREAD LOCKING COMPOUND IS RECOMMENDED ON ALL BOLTS



Suggested Torque Values For Steel Grade 5 Standard Bolts		
BOLT DIAMETER (INCH)	THREADS PER INCH	TORQUE (POUND - FEET)
1/4	20	7
5/16	18	14
3/8	16	25
7/16	14	40
1/2	13	60
9/16	12	88
5/8	11	120
3/4	10	200
7/8	9	302
1	8	466

Suggested Torque Values For Steel Grade 8.8 Metric Bolts		
BOLT DIAMETER (mm)	THREAD PITCH (mm)	TORQUE (POUND- FEET)
6	1.0	7
8	1.25	16
10	1.5	32
12	1.75	55
14	2.0	88
16	2.0	140
18	2.5	195
20	2.5	275
22	2.5	375
24	3.0	475

I. PARTS LIST



ITEM NO.	QTY	PART NUMBER	DESCRIPTION	
1	4	318-12-0005	0.188" X 0.125" AL POP RIVET	-
2	1	601-56-5671	R UPPER MOUNT	-
3	1	601-56-5672	L UPPER MOUNT	-
4	1	601-56-5673	R LOWER MOUNT	-
5	1	601-56-5674	L LOWER MOUNT	-
6	1	601-56-9992	BLACK HAMMERHEAD LABEL W/ HOLES	-
7	1	60H-56-0289	INSTALL KIT #289	-
8	1	60P-56-1042	600-56-1042 POLISHED	-

REMOVE CONTENTS FROM BOX AND VERIFY ALL PARTS ARE PRESENT.

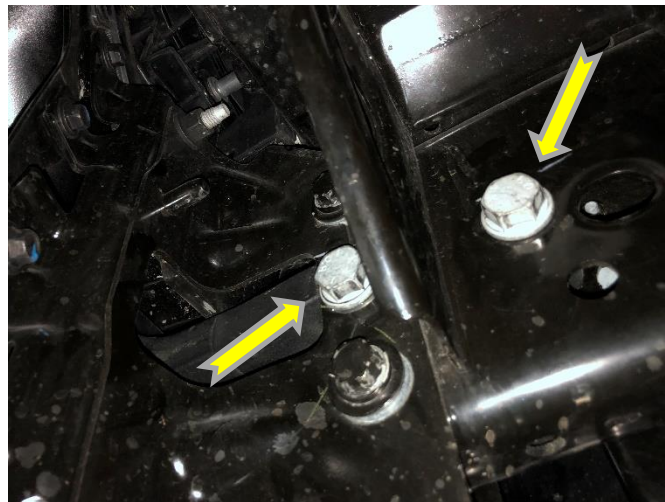
If there are any questions, call 1-855 HHTOUGH or email HHORDERS@hammerheadarmor.com

II. TOOL LIST

1. A Good Friend
2. Basic Tool Kit
3. Blue Masking Tape
4. 18mm Socket and Wrench
5. 24mm Socket
6. 3/4 Socket or Wrench
7. 9/16 Socket and Wrench.
8. Cutting tool of your choice

III. VEHICLE PREPARATION

1. Park vehicle on level surface.
2. Engage parking brake and disconnect battery.
3. Using blue masking tape, mask along the profile of your truck above the bumper. This will help protect your truck from any accidental scratches.
4. If your truck has sensors, remove the 4 middle sensors. Note the location each comes out of.
5. Plug in the provided sensor extension harness to the factory has in each location. Route the harness out the top of the bumper between the grille and bumper.
6. Using a 24mm socket or wrench, remove the 2 bolts attaching the tow hook to the frame (Both Sides)



7. Remove the tow hooks through the front of the bumper and set them aside along with the hardware.
8. Using an 18mm socket and wrench, remove the 2 bolts attaching the bumper to the frame. (Both Sides)



9. You may remove the lower bumper spoiler completely from the truck by unbolting it from the bumper to avoid having to cut. If you would like to keep the bumper spoiler, move to the next step.
10. Locate the push clip on the bumper spoiler directly under the bumper mount. Make a mark on either side of the clip approximately ½". Measure Trim along this mark with your cutting tool of choice 4" to allow the lower mounts to pass through.

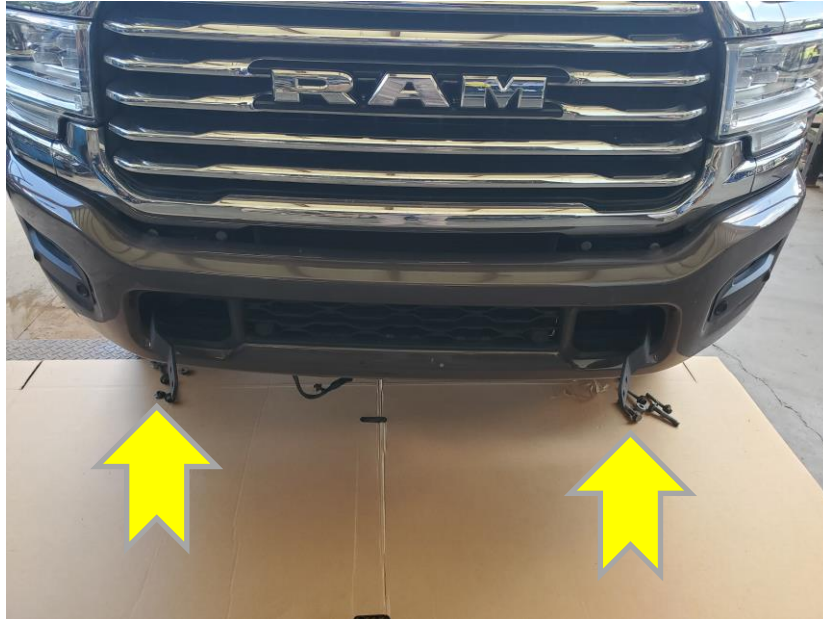


IV. INSTALLATION OF DEFENDER GRILLE GUARD

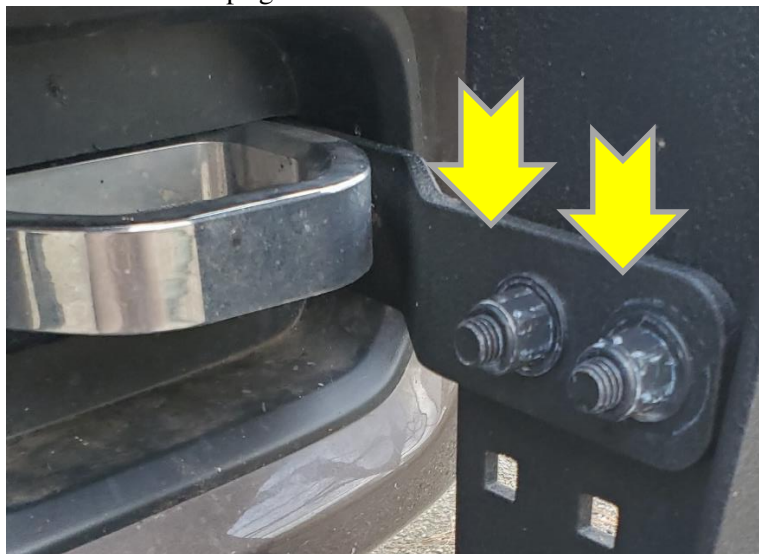
1. If installing a single row light bar or winch, install it before mounting grille guard to truck. Refer to the winch plate mounting instructions for further details. Part number 600-56-1049 winch plate will work with this grille guard.
2. Install the provided grommets into the grille guard sensor holes. Using a dab of soap, lube the sensor and press it into the grille guard in the same location as it came out the bumper. Install the sensor clip as shown to hold each sensor in.



- Slide the bumper forward enough to slide the lower mounts into place. The notch on the mounts goes towards the bottom.



- With the bumper still slid out, and the mounts loose, reinstall the tow hooks.
- Slide the bumper back into place and reinstall the OE bumper and tow hook mount hardware through the grille guard mounts. Do not fully tighten.
- With the help of a few friends, or a lifting device, place the grille guard on the truck. Using (4) carriage head bolts, flat washers, and cap nuts from hardware kit 208, bolt mounts to grille guard. The mounts should sit on the inside of the upright.



7. Slide lower mounts into place through the cuts in the spoiler. Using (4) 3/8 bolts, (8) washers, and (4) nylock nuts from hardware kit #215, bolt lower mounts to the truck. Use (4) carriage head bolts, washers, and nylock nuts from hardware kit #208 to fasten lower mounts to the grille guard. The mounts should sit to the inside of the grille guard.



8. Plug the sensor extension harnesses into the sensors.
9. Align grille guard to the truck and tighten all hardware to the suggested torques listed above.



Congratulations! Your Installation is now complete.

Thank You for your purchase!