



INSTALL INSTRUCTIONS

FORD BRONCO REAR BUMPER W/ TC

Product : 6213R3B-TC

Application : 2021+ FORD BRONCO

I WARNING

Read the instructions completely before beginning installation. Before tightening bolts, drilling or cutting where required, check to make sure there are no obstructions such as brake, fuel or electrical lines which may be damaged. Also keep in mind this is an after-market product and MAY require minor shimming and/or trimming, reaming, etc. for proper fit. Road Armor is not responsible for any damages to vehicle.

i IMPORTANT NOTICE

- Be sure to inspect and test fit your product to ensure proper fitment before having it coated, painted, bed lined, etc.
- Road Armor will not be responsible for the cost of coating your unit if any problems with fit or finish are not noted and addressed beforehand.

SAFETY FIRST!

- FOLLOW ALL INSTRUCTIONS, YOUR SAFETY AND THE SAFETY OF OTHERS IS MOST IMPORTANT.
- WEAR APPROPRIATE EYE PROTECTION AND EXERCISE CAUTION WHEN DRILLING / CUTTING

REQUIRED TOOLS

SAE & METRIC Socket set and wrenches

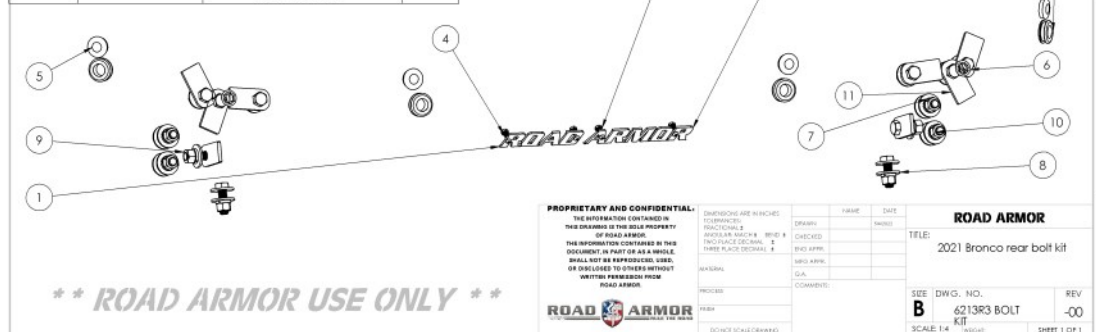
Adjustable Table Cart / Table/Pallet Lift or Hoist

Screw drivers, pry tool, pick tool, pliers

Impact driver

INCLUDED HARDWARE-

ITEM NO.	PART NUMBER	DESCRIPTION	QTY.
1	ROAD-small		1
2	ARMOR-small		1
3	37407	#10-24 Zinc Finish Steel with External Tooth Lockwasher K-Lock Nut	4
4	73734	#10-24 x 3/4" ASTM F879 Hex Drive Grade 18-8 Stainless Steel Button Socket Cap Screw	4
5	1.125 inch plug	1 1/8" Dome plug	4
6	0162849	1/2" Bolt 1.5/16" O.D. Zinc Pushnut Bolt Retainer	2
7	33895	1/2" Yellow Zinc Finish High Alloy Medium Split Lock Washer	14
8	33861	1/2" x 1.375" OD Thru-Hardened Yellow Zinc Finish Steel USS General Purpose Flat Washer	20
9	36410	1/2"-13 Yellow Zinc Finish Grade 8 Finished Hex Nut	14
10	15209	1/2"-13 x 1-1/2" Grade 8 Yellow Zinc Finish Hex Cap Screw	6
11	11218-05078	1.5" Single Bolt Tab [ZINC]	8
12	1.125 rubber grommet	Granger #3MRN4 Rubber Grommet, 3/4" I.D., 1-3/8" O.D., 1/4" Panel Thickness	4



ITEM NO.	PART NUMBER	DESCRIPTION	\$ COST Ea.	QTY.	TOTAL COST
1	11120356	M6 x 16mm Phillips Hex Washer Head Tap Screw - License Plate Screw		4	
2	13005	1/4"-20 x 1" Grade 5 Zinc Finish Hex Cap Screw		3	
3	1136102	1/4"-20 Zinc Finish Grade A Finished Hex Nut		3	
4	33004	1/4" x 0.734" OD Low Carbon Zinc Finish Steel USS General Purpose Flat Washer		6	
5	13059	5/16"-18 x 1-1/2" Grade 5 Zinc Finish Hex Cap Screw		2	
6	37021	5/16"-18 Grade 2 Zinc Finish NE Steel Nylon Insert Lock Nut		2	
7	33006	5/16" x 0.875" OD Low Carbon Zinc Finish Steel USS General Purpose Flat Washer		4	
8	HBOLT 0.3750-16x1x1-N			5	
9	1136306	3/8"-16 Grade 2 Zinc Finish NE Steel Nylon Insert Lock Nut		5	
10	33008	3/8" x 1.000" OD Low Carbon Zinc Finish Steel USS General Purpose Flat Washer		10	
11	33861	1/2" x 1.375" OD Thru-Hardened Yellow Zinc Finish Steel USS General Purpose Flat Washer		10	
12	36260	1/2"-20 ASTM A563 Grade A Zinc Finish Steel Jam Nut		1	
13	0169629	1/2"-20 SAE J995 Grade 5 Zinc Finish Steel Jam Nut - Left Hand		1	
14	TCISO-750	ISOLATOR, TAIL GATE TIRE CARRIER, JEEP STEALTH REAR BUMPER		1	
15	610-327.1	M14-1.50 Serrated Wheel Stud - 16.00mm Knurl, 45.50mm Length		3	



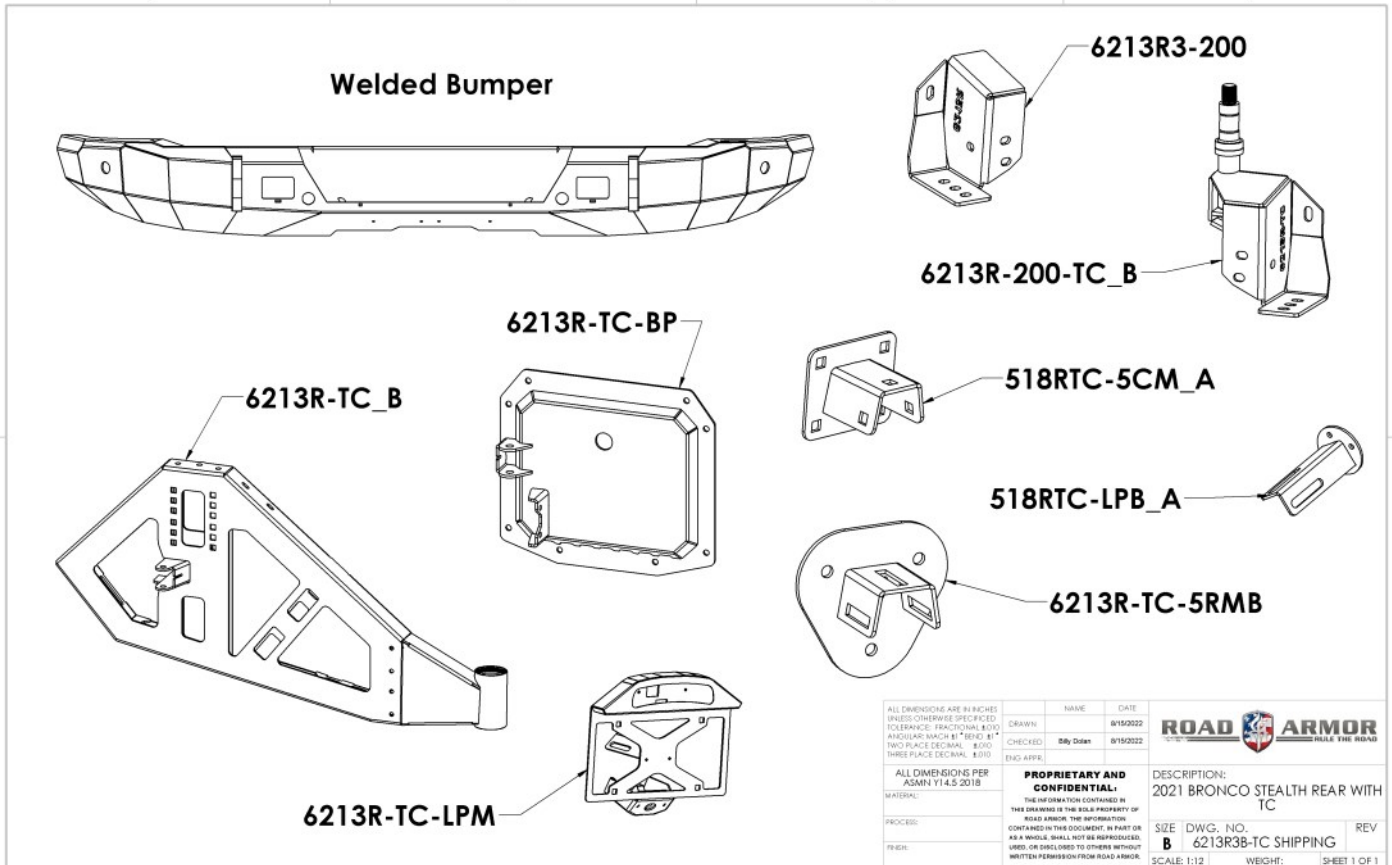
**** ROAD ARMOR USE ONLY ****

PROPRIETARY AND CONFIDENTIAL:
THE INFORMATION CONTAINED IN THIS DRAWING IS THE SOLE PROPERTY OF ROAD ARMOR. THE INFORMATION CONTAINED IN THIS DOCUMENT, IN PART OR AS A WHOLE, SHALL NOT BE REPRODUCED, USED, OR DISCLOSED TO OTHERS WITHOUT WRITTEN PERMISSION FROM ROAD ARMOR.

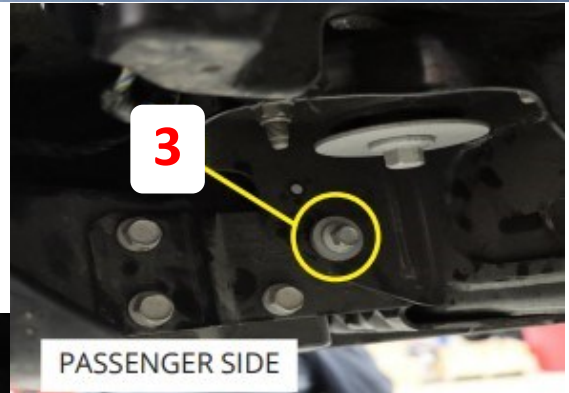


TOLERANCE:	NAME	DATE
FRAC TIONAL #	DRAWN	
ANGULAR MATCH #	CHECKED	
TWO PLACE DECIMAL #	END APPR.	
THREE PLACE DECIMAL #	MFG APPR.	
	QA	
	PROCESS	
	FINISH	
	DO NOT SCALE DRAWING	

ROAD ARMOR	
TITLE: BOLT KIT, TIRE CARRIER, 2018 JEEP JL STEALTH TIRE CARRIER	
SIZE: B	DWG. NO. 518RTC-BOLT KIT_REV01
SCALE: 1:3	WEIGHT: SHEET 1 OF 1
REV: -00	



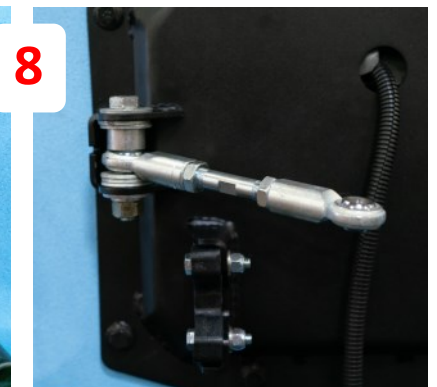
- 1 Disconnect the wiring harness from both the Driver and the Passenger side. **Just Tire Carrier skip to step 8.**
- 2 Remove Bumper Frame Bolts.
- 3 Remove Bolts securing the bumper to the frame body mounts. One on each side.



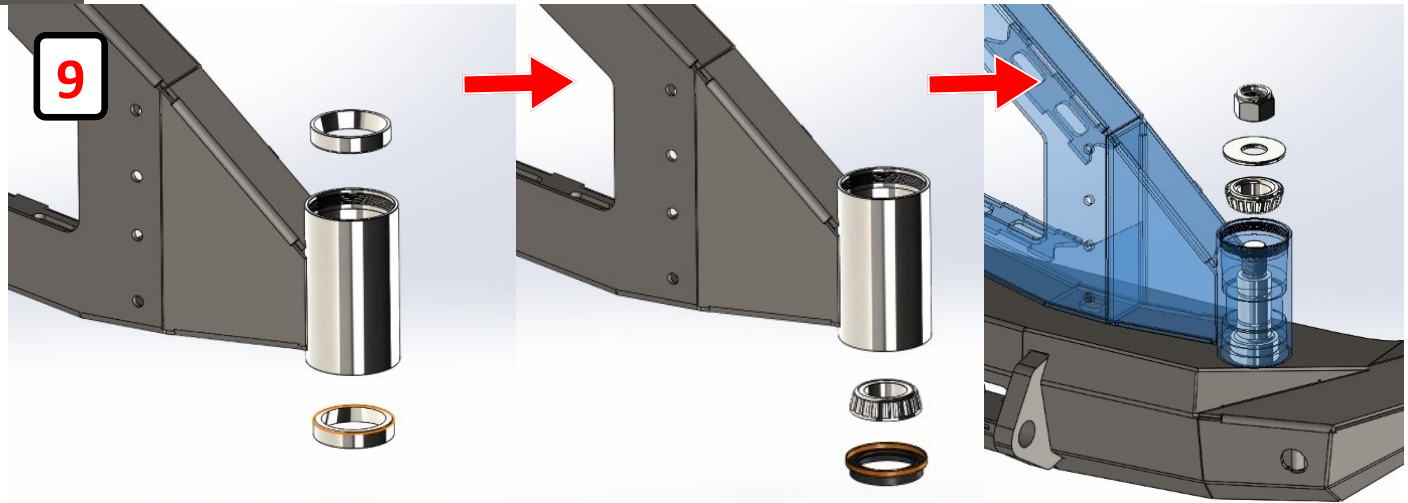
- 4 Remove License Plate Lights, Back up Camera, Sensors, and Wiring Harness.
- 5 Install Push Threads onto Bolt Tabs for both sides.
- 6 Install Logo, Lights, Sensors, and Wiring Harness.



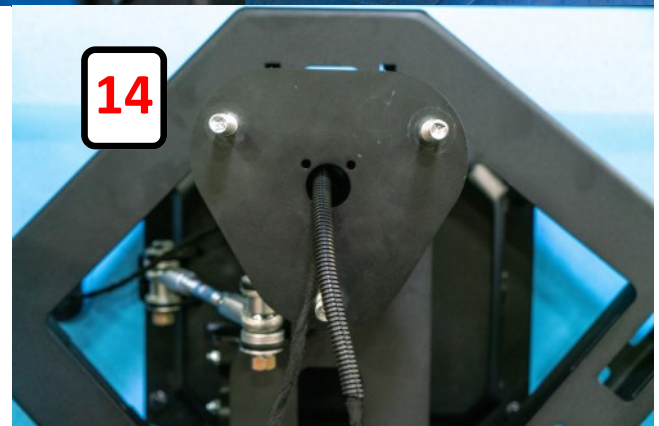
- 7 Install Tire Carrier Bracket with Spindle. **If just Bumper, install normal bracket and install bumper. Finished**
- 8 Remove OEM Tire Carrier and install Tire Carrier Backing Plate and Heim Joint.



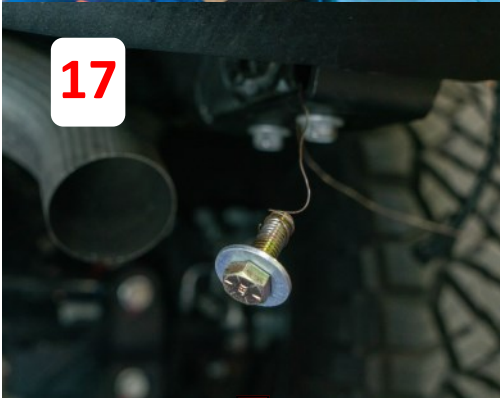
- 9** Prep Tire Carrier for Installation. Grease/Lube Bearings before installation. Install Bearings, Seal, and Washer. (Nut will go on after TC is installed)
- 10** Pull Studs through Wheel Mounting Bracket
- 11** Measure Offset of wheels to adjust Wheel Mount



- 12** Install Bumper onto Frame.
- 13** To Install Tire Carrier, Remove Passenger side Tail Light. Once on the spindle, Pre-load the Tire Carrier by lifting cantilever side then tighten the nut.
- 14** Connect Heim Joint to Tire Carrier, and bolt Wheel Mount to Tire Carrier. Pull Camera and Brake Light wires through



- 15** Mount Tire onto studs with the camera and brake light wires pulled through. Tire should be pressed against the Tire Carrier for Rigidity.
- 16** Mount License Plate and Brake Light to the License Plate Mount. Install onto Tire Carrier and connect the Wires for the Camera and Brake Light.
- 17** Wrap Bolt with a thin Wire. Pull Wire through Frame and Bracket from inside frame to outside bracket. Make sure all Nuts and Bolts are Tightened.



FINSIHED!

