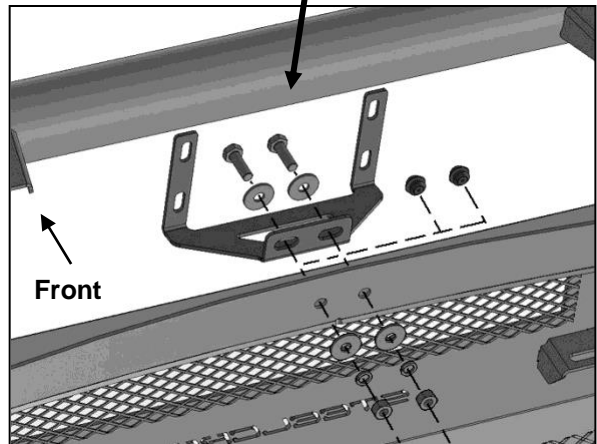
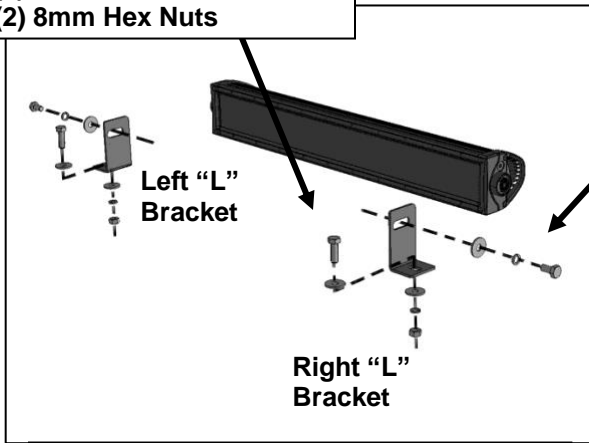


**FORTIS BULLNOSE FRONT BUMPER
2017-22 FORD SUPERDUTY**

- (2) 8mm x 25mm Hex Bolts
- (4) 8mm Flat Washers
- (2) 8mm Lock Washers
- (2) 8mm Hex Nuts

- (2) 8mm x 16mm Hex Bolts
- (2) 8mm Lock Washers
- (2) 8mm Flat Washers

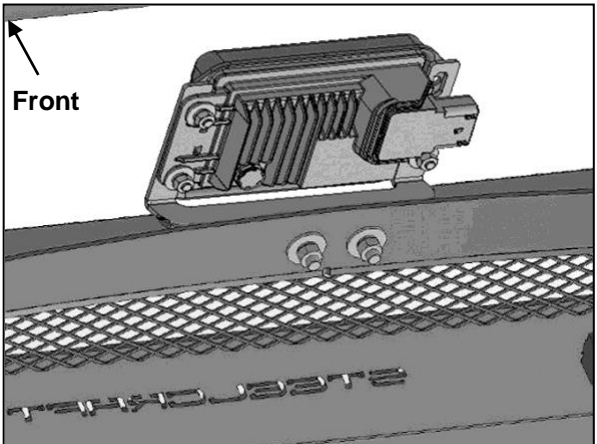
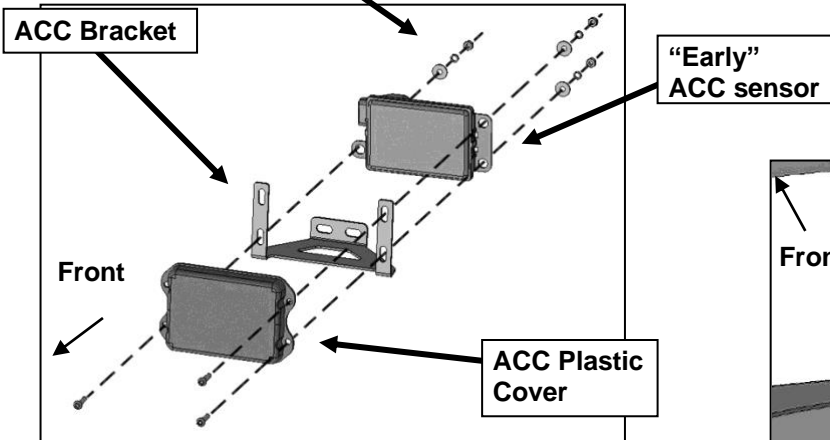
- (2) 8mm x 25mm Hex Bolts
- (4) 8mm Flat Washers
- (2) 8mm Lock Washers
- (2) 8mm Hex Nuts



(Fig 9) Example of LED Light Installation

(Fig 10) Attach ACC Bracket to top of Bumper

- (3) 6mm Button Head Bolts
- (3) 6mm Flat Washers
- (3) 6mm Lock Washers
- (3) 6mm Hex Nuts

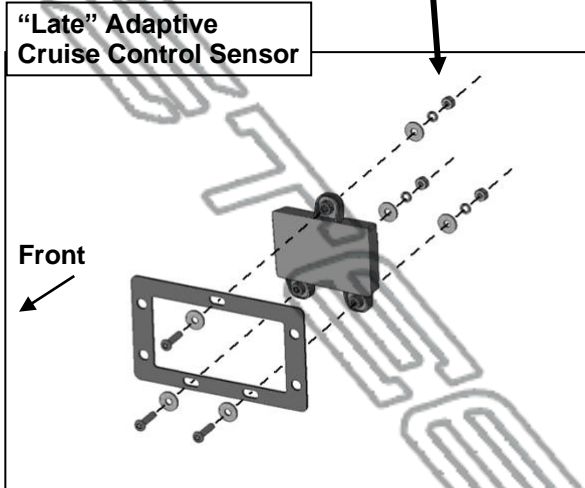


(Fig 11) Attach "Early" ACC and plastic cover to the ACC Bracket

(Fig 12) "Early" ACC assembly attached to front of Bumper

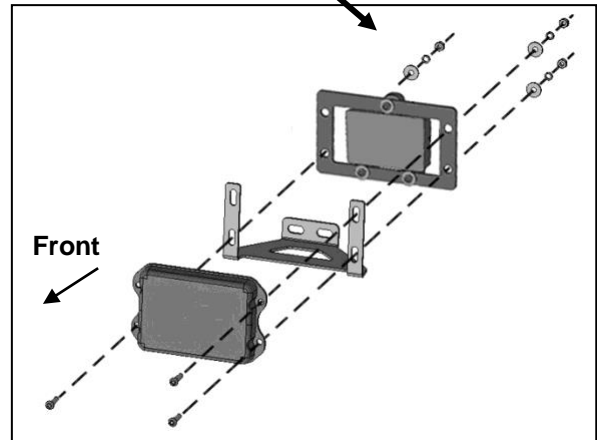
FORTIS BULLNOSE FRONT BUMPER
2017-22 FORD SUPERDUTY

- (3) 6mm Button Head Bolts
- (3) 6mm Flat Washers
- (3) 6mm Lock Washers
- (3) 6mm Hex Nuts

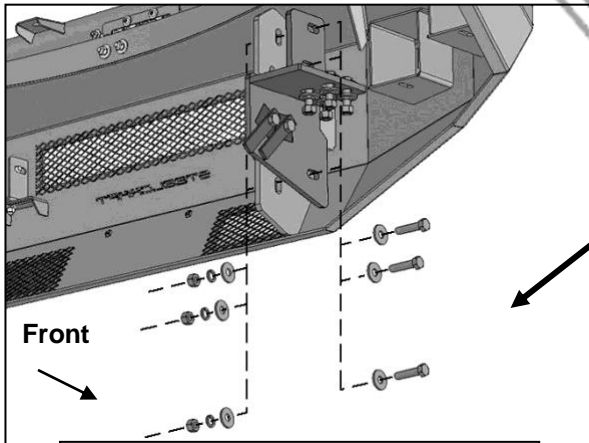


(Fig 13) Attach "Late" ACC sensor to back of Adapter Bracket

- (3) 6mm x 25mm Button Head Bolts
- (3) 6mm Flat Washers
- (3) 6mm Lock Washers
- (3) 6mm Hex Nuts



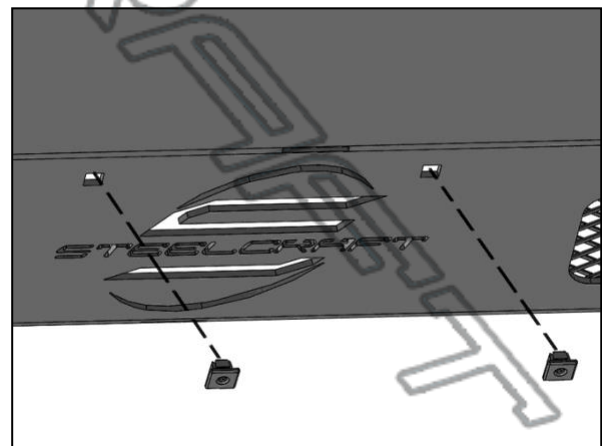
(Fig 14) Attach Adapter Bracket with "Late" ACC and plastic cover to the ACC Bracket



(Fig 15) Attach passenger/right side of Bumper to Mounting Bracket

- (3) 12mm Hex Bolts
- (6) 12mm Flat Washers
- (3) 12mm Lock Washers
- (3) 12mm Hex Nuts

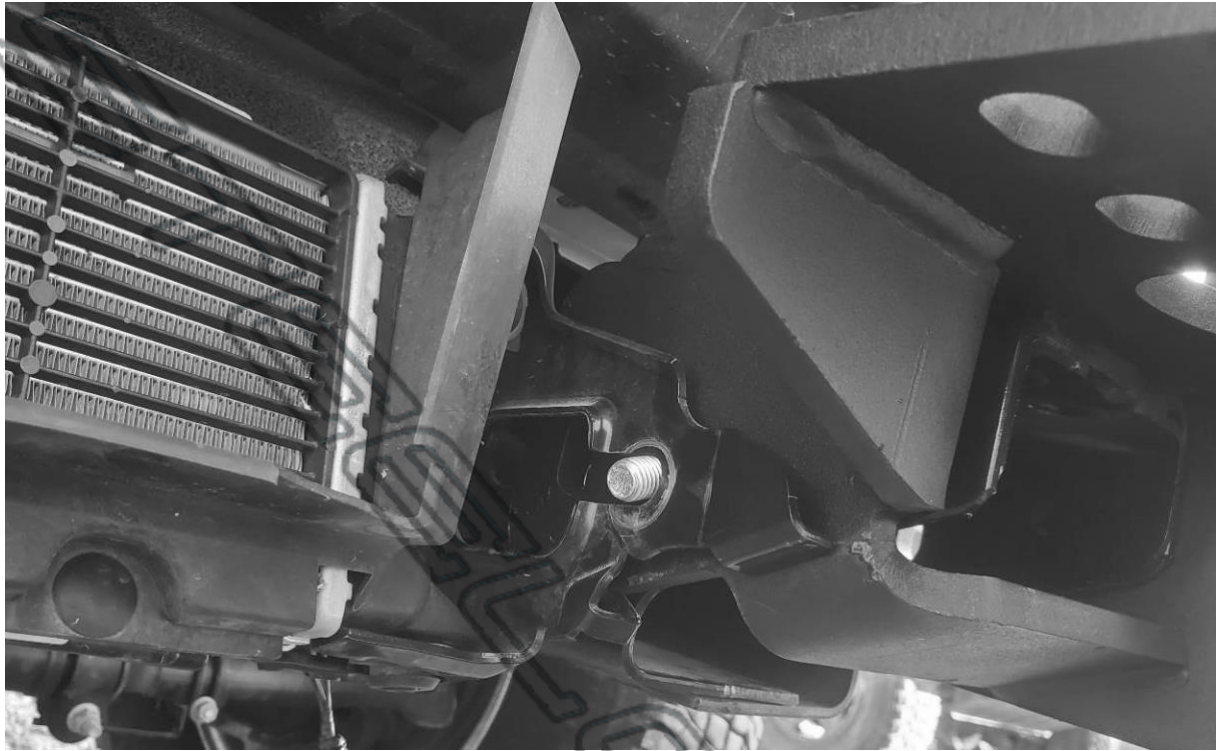
WARNING! Do not crawl under bumper unless the bumper is properly supported on blocks or stands or the bumper may fall.



(Fig 16) Push plastic plugs into holes in Bumper for license plate if required

Supplemental Installation Steps: Some 2022 F-350's will have an extra cooler between frame.

- Trim tabs off OE cooler brackets so they rest flat against the bumper brackets:



- Install cooler onto forward bolt plate:

