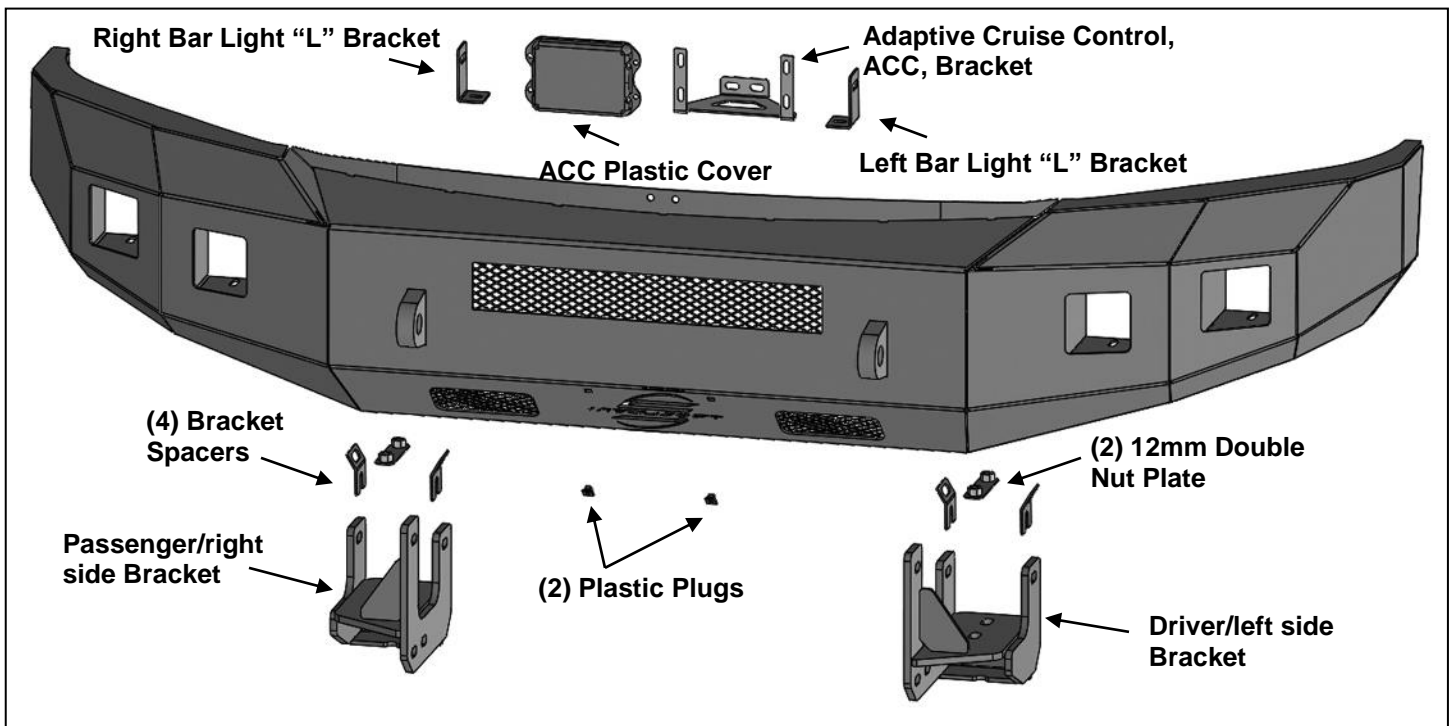


INSTALLATION INSTRUCTIONS

**FORTIS FRONT BUMPER
2015-17 FORD F150**

PARTS LIST:

| | | | |
|----|--|----|---------------------------------|
| 1 | Fortis Front Bumper | 8 | 12mm Hex Nuts |
| 1 | Driver/left side Bracket | 4 | 8mm x 25mm Hex Bolts |
| 1 | Passenger/right side Bracket | 2 | 8mm x 16mm Hex Bolts |
| 1 | Driver/left side LED Light Bar Bracket | 10 | 8mm x 24mm x 2mm Flat Washers |
| 1 | Passenger/right side LED Light Bar Bracket | 6 | 8mm Lock Washers |
| 1 | Adaptive Cruise Control, ACC, Bracket | 4 | 8mm Hex Nuts |
| 1 | ACC Plastic Cover | 3 | 6mm x 25mm Button Head Bolts |
| 4 | Bracket Spacers | 3 | 6mm x 18mm x 1.6mm Flat Washers |
| 2 | 12mm Double Bolt Plates | 3 | 6mm Lock Washers |
| 2 | 12mm x 170mm Hex Bolts | 3 | 6mm Hex Nuts |
| 10 | 12mm x 45mm Hex Bolts | 2 | Rubber Plugs |
| 20 | 12mm x 32mm x 3mm Flat Washers | 1 | Allen Wrench |
| 12 | 12mm Lock Washers | | |



PROCEDURE:

REMOVE CONTENTS FROM BOX. VERIFY ALL PARTS ARE PRESENT. READ INSTRUCTIONS CAREFULLY BEFORE STARTING INSTALLATION. BUMPER IS HEAVY, ASSISTANCE IS HIGHLY RECOMMENDED TO AVOID POSSIBLE INJURY OR DAMAGE TO THE VEHICLE.

1. Remove the license plate and bracket, **(Figure 1)**. Unplug main wiring harness leading to bumper.
2. Next, remove the plastic bumper pad assembly, **(Figure 2)**. **NOTE:** Carefully pull bumper pad straight out away from bumper. Unplug and remove the adaptive cruise control, if equipped. Unplug the fog lights, if equipped, **(Figure 3)**.
3. Place blocks or jack stands under the front bumper to support it during mounting bolt removal. Once the bumper has been safely supported, remove the large hex nut from the back of the bumper bracket attaching the lower bumper to the bumper bracket, **(Figure 4)**. Next, from the front of the bumper, remove the (2) factory hex nuts attaching the bumper to the bumper brackets, **(Figure 5)**. **WARNING!** Assistance is required to hold the bumper in place during bolt removal to prevent the bumper from falling. Carefully slide the bumper off over the tow hooks.

**FORTIS FRONT BUMPER
2015-17 FORD F150**

4. On models with tow hooks, remove both tow hooks from the ends of the frame, **(Figure 6)**. Tow hooks cannot be reinstalled.
5. Select the Driver/left side Bracket and (1) 12mm Double Nut Plate. Insert the Nut Plate inside the bottom of the frame. Attach the Bracket to the Nut Plate using (2) 12mm x 45mm Hex Bolts, (2) 12mm Lock Washers and (2) 12mm Flat Washers, **(Figures 7 & 8)**.
6. Next, insert (1) 12mm x 170mm Long Hex Bolt with (1) 12mm Flat Washer through the outside of the mounting tab on the Bracket, through the frame and inside tab. Secure with (1) 12mm Flat Washer, (1) 12mm Lock Washer and (1) 12mm Hex Nut. Insert (1) Spacer Plate down between each mounting tab and the side of the frame, **(Figures 7 & 9)**. Do not fully tighten hardware.
7. Repeat **Steps 5 & 6** to install the passenger/right side Bracket to the frame.
8. With assistance, position the Bumper Assembly up to the insides of the Mounting Brackets. Temporarily support the weight of the Bumper. **WARNING:** To avoid possible injury or damage to the vehicle, do not proceed until the bumper is fully and safely supported.
9. Use the included (6) 12mm x 45mm Hex Bolts, (12) 12mm Flat Washers, (6) 12mm Lock Washers and (6) 12mm Hex Nuts to attach the Brackets to the Front Bumper, **(Figures 10 & 11)**.
10. Level and adjust the bumper and fully tighten all hardware.
11. Determine if vehicle is equipped with adaptive cruise control. **Vehicles without ACC**, skip to **Step 12**.
 - a. Select the ACC Plastic Cover and the ACC Bracket. Insert (3) 6mm x 25mm Button Head Bolts through the (3) holes on the Plastic Cover, the Bracket and out through the adaptive cruise control. Secure with (3) 6mm Flat Washers, (3) 6mm Lock Washers and (3) 6mm Hex Nuts, **(Figure 12)**.
 - b. Attach the ACC assembly to the front of the bumper using (2) 8mm x 25mm Hex Bolts, (4) 8mm Flat Washers, (2) 8mm Lock Washers and (2) 8mm Hex Nuts, **(Figure 13)**.
 - c. Tighten all ACC hardware and continue to **Step 12**.
12. **Center LED light installation**, (light not included sold separately).
 - a. Select the L/R "L" Brackets, **(Figure 14)**. Attach the Brackets to the top of the (2) mounting tabs welded onto the back of the bumper with the included (2) 8mm x 25mm Hex Bolts, (4) 8mm Flat Washers, (2) 8mm Lock Washers and (2) 8mm Hex Nuts. Leave loose at this time.
 - b. Attach the LED light assembly to the "L" Brackets with the included (2) 8mm x 16mm Hex Bolts, (2) 8mm Lock Washers and (2) 8mm Flat Washers. Do not fully tighten hardware at this time.
 - c. Follow light manufacturer's instructions to properly wire the light.
13. **LED light installation at ends of bumper**, (light not included sold separately).
 - a. Insert each light into light opening and up to the mounting slots at the end of the Bumper.
 - b. Follow light manufacturer's instructions to attach each light to the slot in the bottom of the light opening. On two light systems, attach flood light to outer slot and spot light to inner slot.
 - c. Repeat the above steps for driver side light installation.
 - d. Follow light manufacturer's instructions to properly wire the light to the vehicle electrical system.
14. Use the license plastic plugs to attach the license plate to the front of the Bumper, **(Figure 15)**.
15. Do periodic inspections to the installation to make sure that all hardware is secure and tight.

To protect your investment, wax this product after installing. Regular waxing is recommended to add a protective layer over the finish. Do not use any type of polish or wax that may contain abrasives that could damage the finish. Mild soap may be used to clean the Bumper Assembly.

Driver Side Installation Pictured



(Fig 1) Remove license plate from Bumper



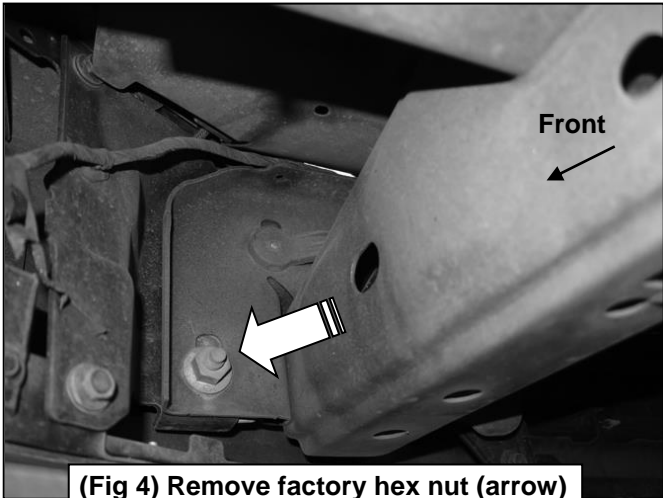
Front ↓

(Fig 2) Remove the plastic bumper pad from the front of the Bumper



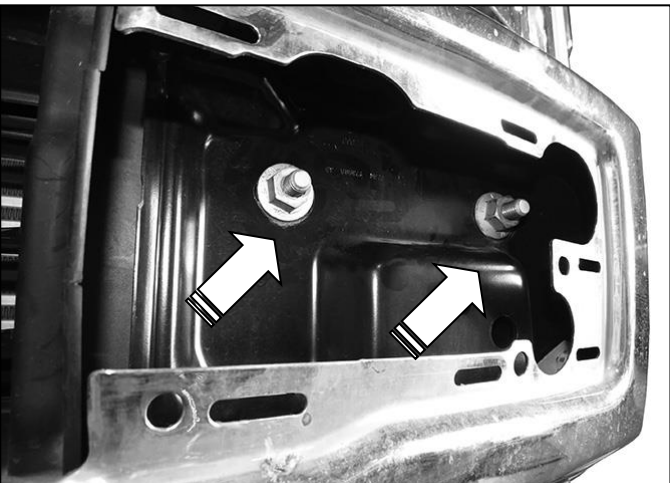
Front →

(Fig 3) Unplug and move factory wiring harness for fog lights (if equipped)



Front →

(Fig 4) Remove factory hex nut (arrow) from back of bumper bracket

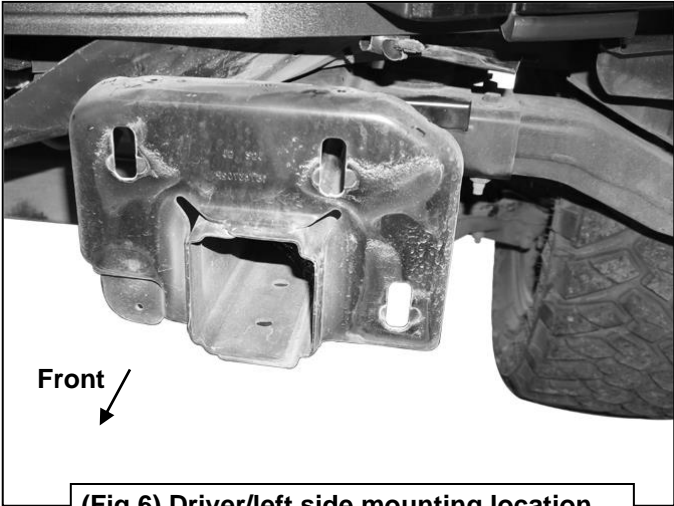


(Fig 5) Remove (2) factory hex nuts from each side

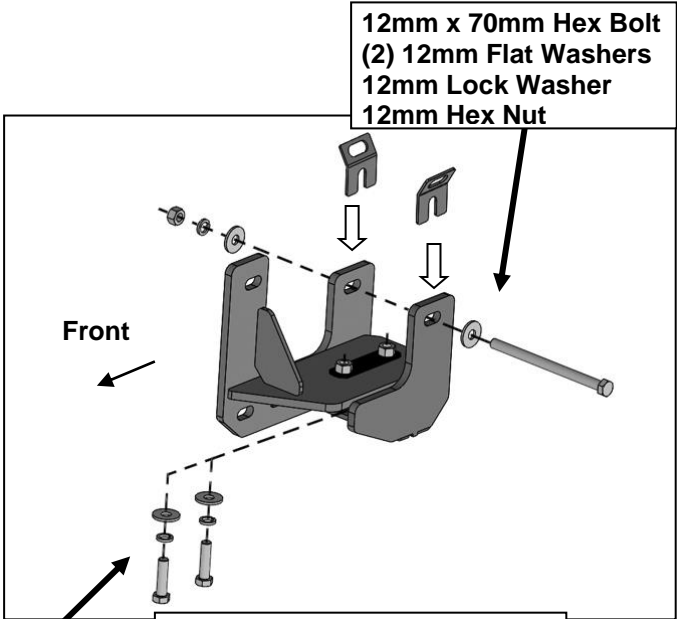
WARNING! Do not remove bumper bolts unless the bumper is properly supported on blocks or stands or the bumper may fall.

**FORTIS FRONT BUMPER
2015-17 FORD F150**

Driver Side Installation Pictured

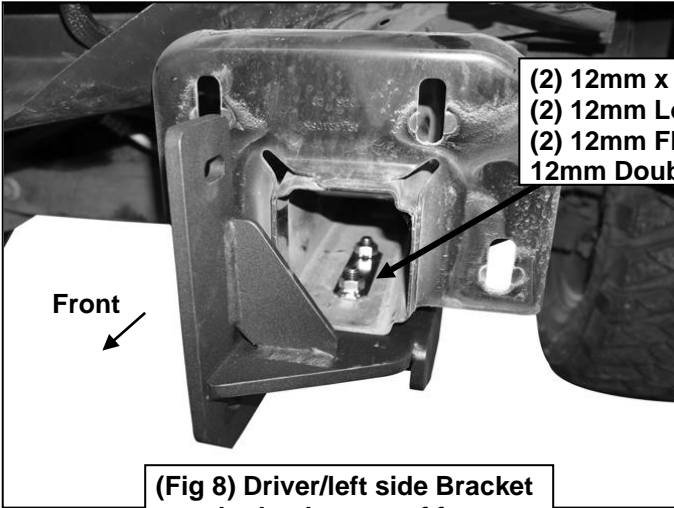


(Fig 6) Driver/left side mounting location



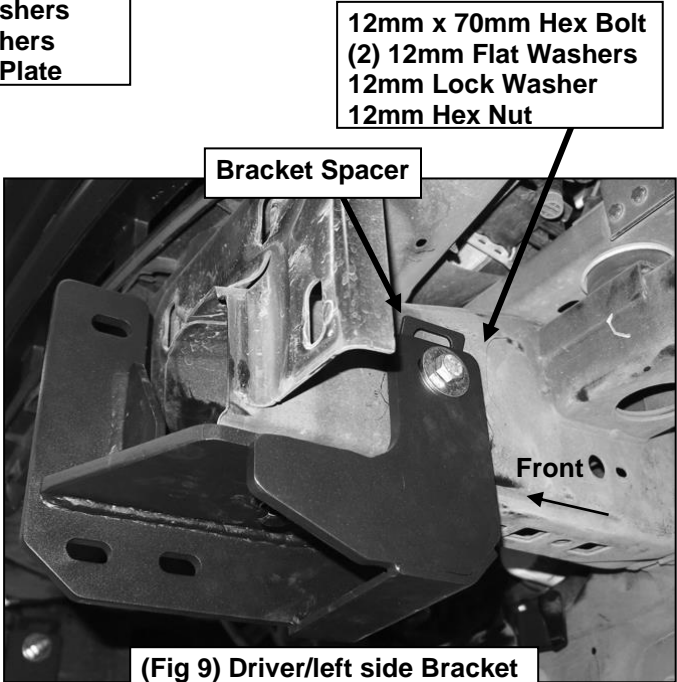
- 12mm x 70mm Hex Bolt
- (2) 12mm Flat Washers
- 12mm Lock Washer
- 12mm Hex Nut

(Fig 7) Driver/left side Bracket



- (2) 12mm x 45mm Hex Bolts
- (2) 12mm Lock Washers
- (2) 12mm Flat Washers
- 12mm Double Nut Plate

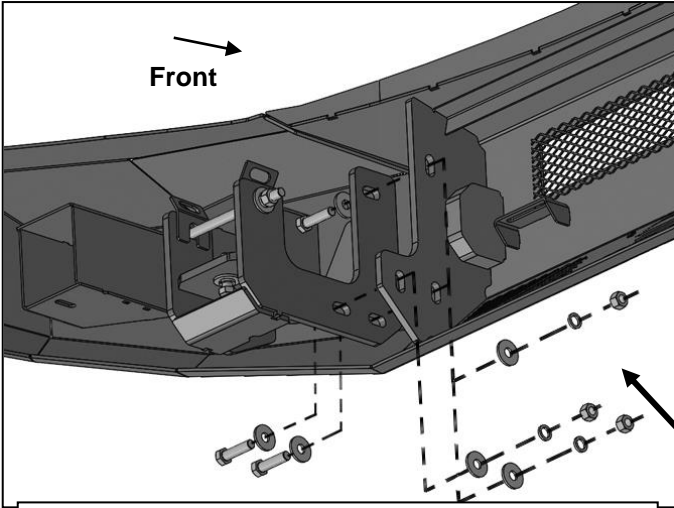
(Fig 8) Driver/left side Bracket attached to bottom of frame



- 12mm x 70mm Hex Bolt
- (2) 12mm Flat Washers
- 12mm Lock Washer
- 12mm Hex Nut

(Fig 9) Driver/left side Bracket attached to side of frame

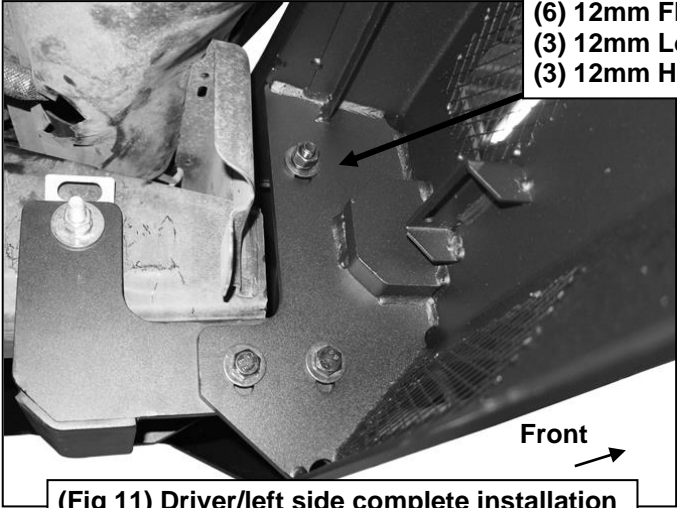
WARNING! Do not crawl under bumper unless the bumper is properly supported on blocks or stands or the bumper may fall.



(Fig 10) Driver/left side Bracket attached to the outside of the mounting plate of the Bumper

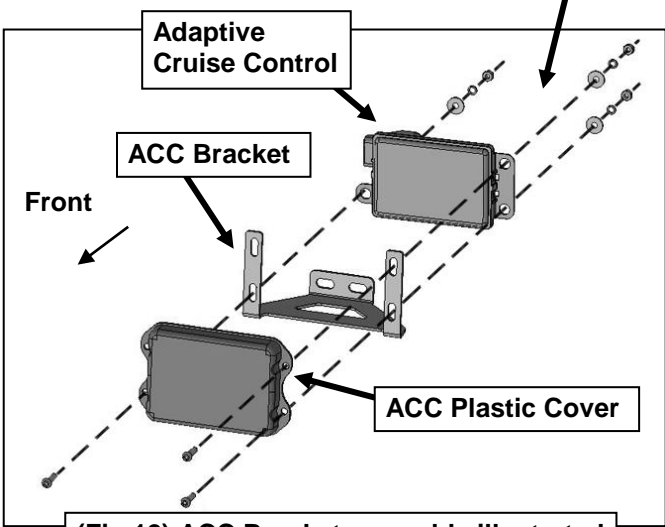
- (3) 12mm x 45mm Hex Bolts
- (6) 12mm Flat Washers
- (3) 12mm Lock Washers
- (3) 12mm Hex Nuts

Driver Side Installation Pictured



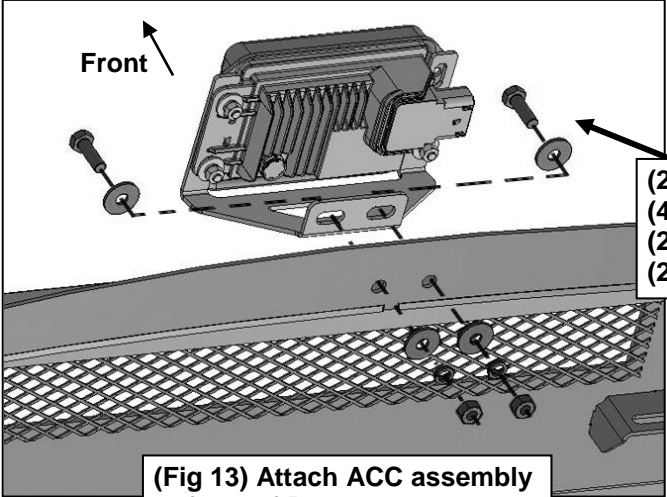
- (3) 12mm x 45mm Hex Bolts
- (6) 12mm Flat Washers
- (3) 12mm Lock Washers
- (3) 12mm Hex Nuts

- (3) 6mm Button Head Bolts
- (3) 6mm Flat Washers
- (3) 6mm Lock Washers
- (3) 6mm Hex Nuts



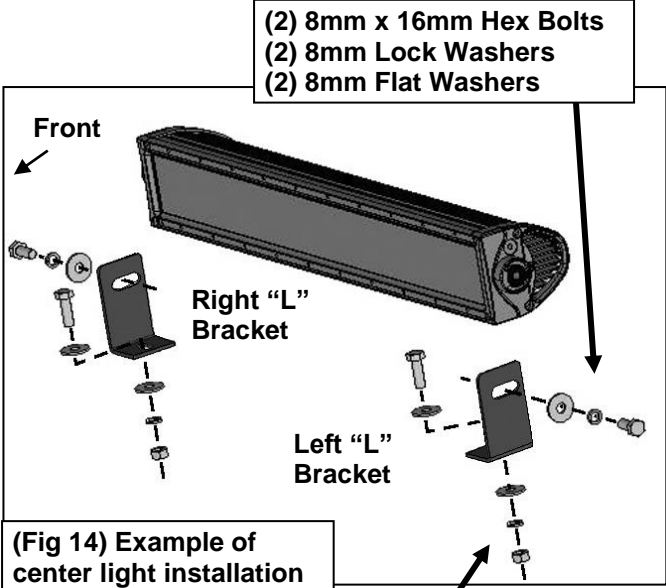
(Fig 11) Driver/left side complete installation

(Fig 12) ACC Bracket assembly illustrated



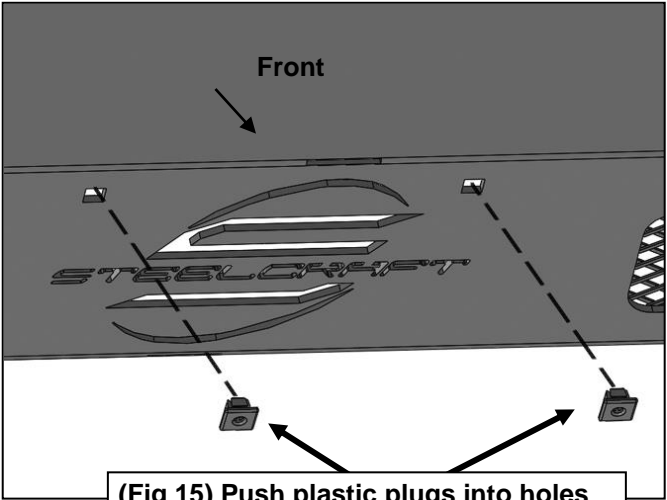
- (2) 8mm x 25mm Hex Bolts
- (4) 8mm Flat Washers
- (2) 8mm Lock Washers
- (2) 8mm Hex Nuts

(Fig 13) Attach ACC assembly to front of Bumper



- (2) 8mm x 16mm Hex Bolts
- (2) 8mm Lock Washers
- (2) 8mm Flat Washers

(Fig 14) Example of center light installation



(Fig 15) Push plastic plugs into holes in Bumper for license plate if required

- (2) 8mm x 25mm Hex Bolts
- (4) 8mm Flat Washers
- (2) 8mm Lock Washers
- (2) 8mm Hex Nuts