

INSTALLATION INSTRUCTIONS

HDX BANDIT FRONT BUMPER

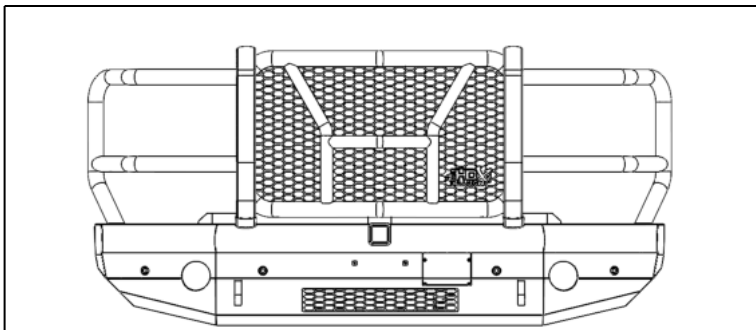


APPLICATION:
2023-2024 Ford F250/350

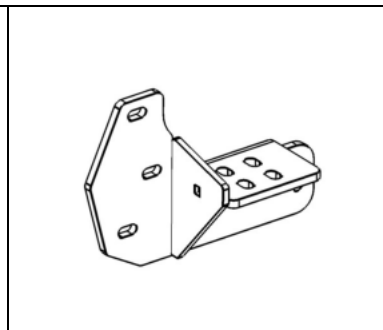
PART NUMBER:
58-311205

CONTENT			
ITEM	QUANTITY	DESCRIPTION	TOOLS NEEDED
1	1	FRONT BUMPER ASSEMBLY	18MM SOCKET
2	2	FRAME BRACKET; 1 DRIVER, 1 PASSENGER	18MM WRENCH
3	2	PLASTIC PLUGS	13MM SOCKET
4	4	SENSOR L-TAB	13MM WRENCH
5	1	ACC COVER	10MM SOCKET
6	4	M12 STUD PLATE	10MM WRENCH
7	14	M12 HEX HEAD CAP SCREW	RATCHET
8	32	M12 FLAT WASHER	TORQUE WRENCH
9	18	M12 HEX NUT	3MM ALLEN KEY
10	18	M12 SPLIT LOCK WASHER	
11	12	M6 HEX HEAD CAP SCREW	
13	28	M6 FLAT WASHER	
14	16	M6 HEX NUT	
15	16	M6 SPLIT LOCK WASHER	
16	4	M6 CARRIAGE BOLT	
17	4	M5 BUTTON HEAD BOLT	
18	8	M5 FLAT WASHER	
19	4	M5 NYLOCK NUT	

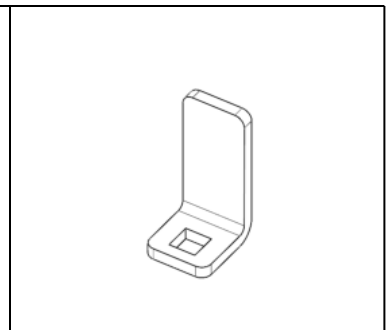
ANTI-SEIZE LUBRICANT MUST BE USED ON ALL STAINLESS STEEL FASTENERS TO PREVENT THREAD DAMAGE AND GALLING



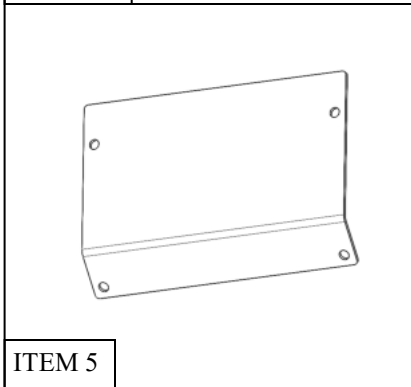
ITEM 1



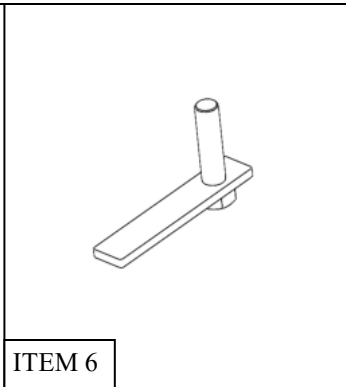
ITEM 2 (Passenger)



ITEM 4



ITEM 5



ITEM 6

PROCEDURE

1. Remove contents from box, verify if all parts listed are present and free from damage. Carefully read and understand all instructions before attempting installation.
Failure to identify damage before installation could lead to a rejection of any claim.
2. Remove the license plate and bracket. On models with factory fog lights, unplug both lights. Disconnect the wiring harness from the OEM bumper's parking sensors and active cruise control (ACC) sensor (if vehicle is equipped with ACC) (**Figures 1-3**). The main connector for the OEM bumper wiring harness is located underneath the bumper towards the front of the vehicle. Remove the wiring harness and set it aside.



Fig 1

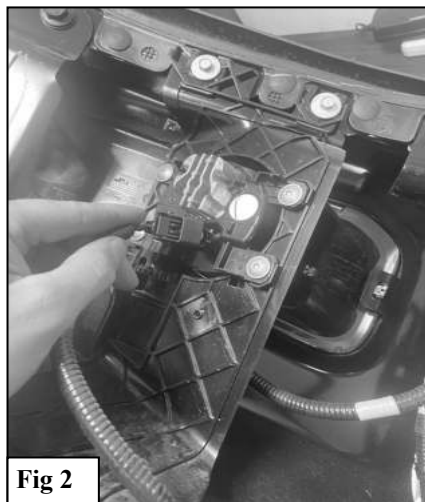


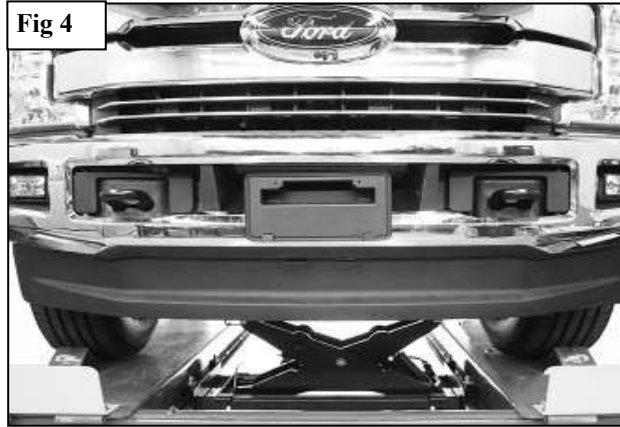
Fig 2



Fig 3

3. Next, remove the plastic lower air dam from the bottom of the bumper, (**Figure 4**). Remove the outer bumper supports attaching the outer ends of the bumper to the sides of the frame, (**Figure 5**). Remove the plastic covers from the tow hooks to uncover the bumper bolts, (**Figure 6**).

Fig 4



SIMILAR BUMPER SHOWN

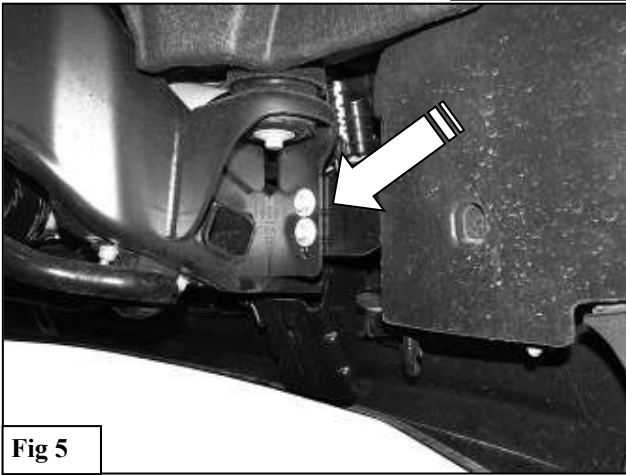


Fig 5



Fig 6

4. Place blocks or jack stands under the front bumper to support it during mounting bolt removal. Once the bumper has been safely supported, remove the (8) factory bumper bolts, (**Figure 7**). Once the bumper has been removed, loosen the fog light brackets and remove the fog lights from the bumper (**Figure 8**).

WARNING! Assistance is required to hold the bumper in place during bolt removal to prevent the bumper from falling. Carefully slide the bumper off over the tow hooks.



Fig 7



Fig 8

5. Remove the passenger/right side tow hook from the end of the frame, (**Figure 9**). Next, remove the (4) factory hex nuts, lower frame extension and double bolt plates from the end of the frame, (**Figures 6 & 9**). Repeat for Driver Side.

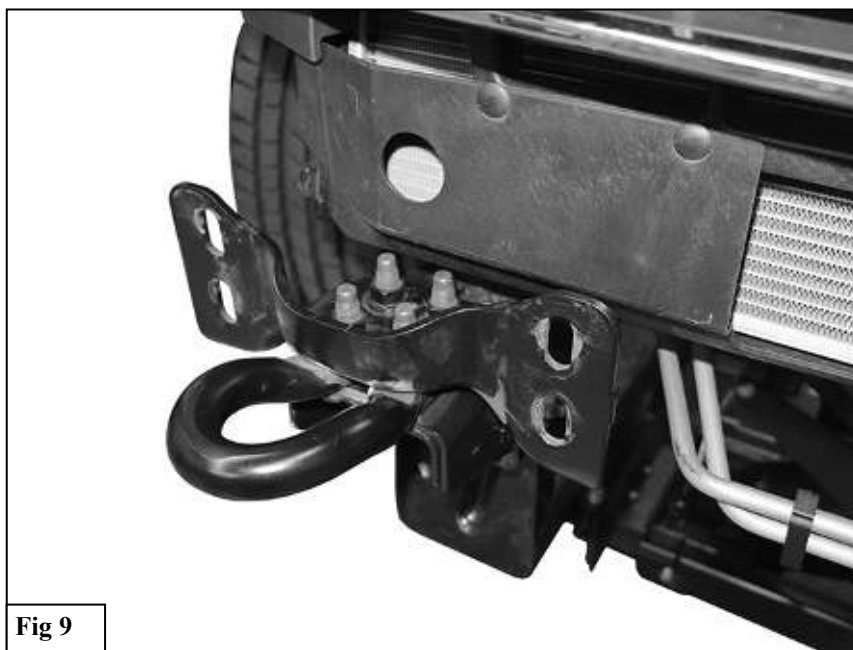
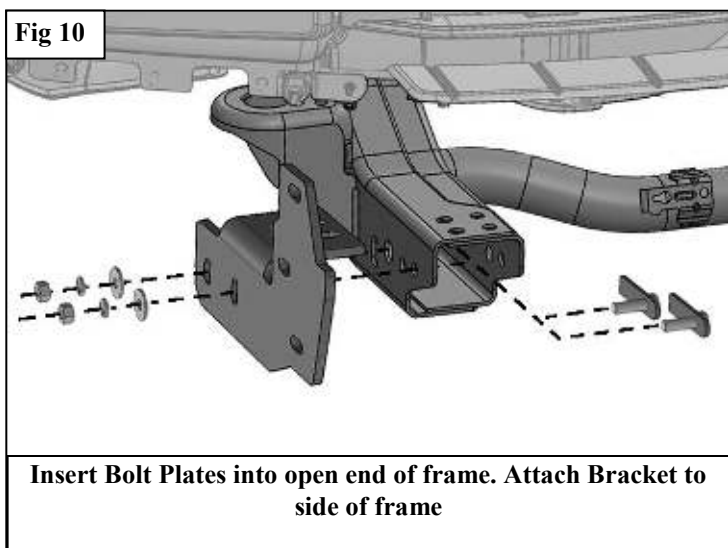
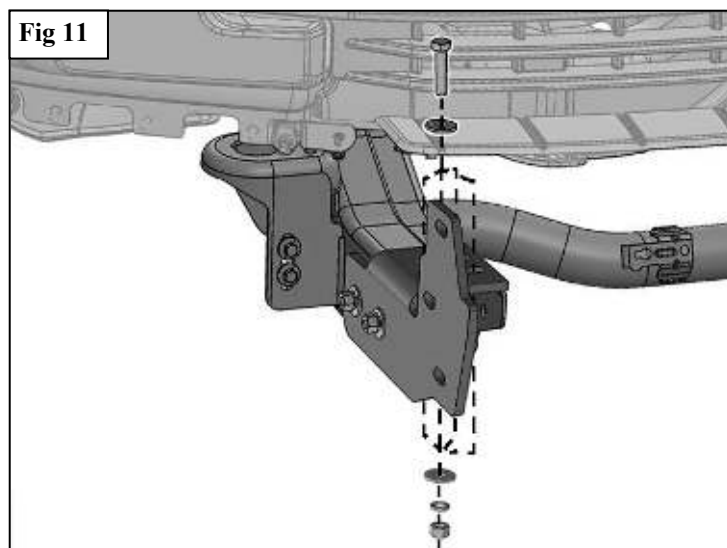


Fig 9

6. Next, select the passenger/right Frame Bracket (item 2). Slide the Bracket over the end of the frame. Line up the slots in the side of the Bracket with the holes in the outer side of the frame. Select (2) M12 Stud Plates (item 6). Insert the M12 Stud Plates (item 6) into the open end of the frame and out through the Bracket. Attach the Bracket to the Bolt Plates with (2) M12 Flat Washers (item 8), (2) M12 Lock Washers (item 10) and (2) M12 Hex Nuts (item 9), (**Figure 10**). Leave loose at this time.
7. Attach the mounting tab on the top of the Bracket to the top of the frame with the included (4) M12 Hex Bolts (item 7), (8) M12 Flat Washers (item 8), (4) M12 Lock Washers (item 10) and (4) M12 Hex Nuts (item 9), (**Figure 11**). Do not fully tighten hardware at this time.



Insert Bolt Plates into open end of frame. Attach Bracket to side of frame



OPTIONAL STEP: ACC INSTALLATION

Determine if vehicle is equipped with an adaptive cruise control, (ACC). **NOTE:** Perform the installation of the ACC sensor assembly onto the HDX Bandit Bumper before mounting the bumper the vehicle.

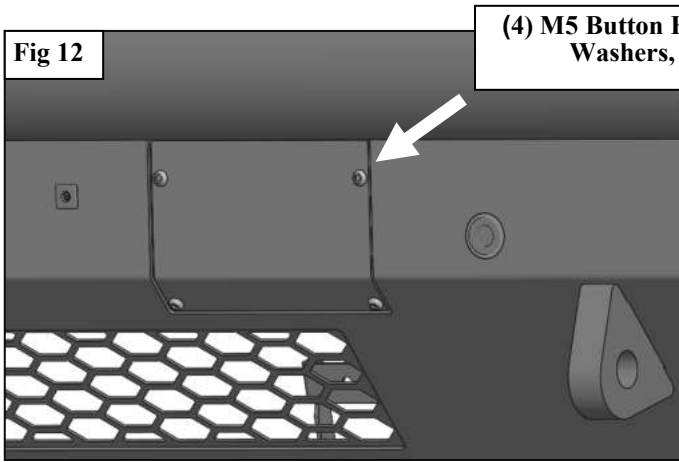
Vehicles without ACC:

- a. Attach the ACC cover to the front of the bumper using a 3MM Allen Key, (4) M5 Button Head Bolts (item 17), (4) M5 Flat Washers (item 18), and (4) M5 Hex Nuts (item 19), (**Figures 12 & 13**).
- Continue to **Step 8** of bumper installation.

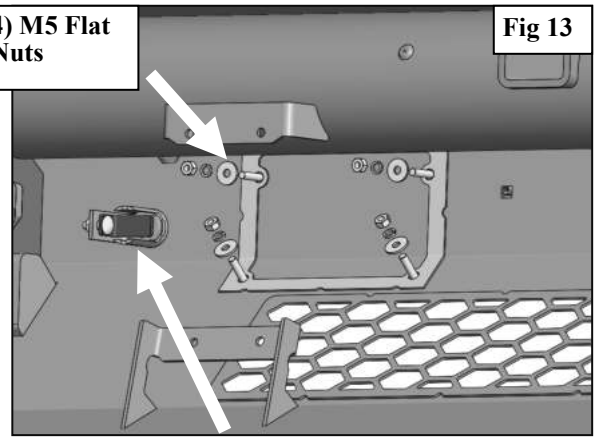
Vehicles with ACC:

- a. Attach the ACC cover to the front of the bumper.
- b. Use (4) M6 Hex Bolts (item 11) and (4) M6 Flat Washers (item 13) to attach the OEM ACC Bumper Bracket to the inside of HDX Bandit Front Bumper (**Figure 15**). Do not remove the ACC sensor from the OEM ACC Housing (**Figure 14**).

Attach the OEM bumper wiring harness to the HDX Bandit Bumper. Do not drive the vehicle without the ACC sensor plugged in.



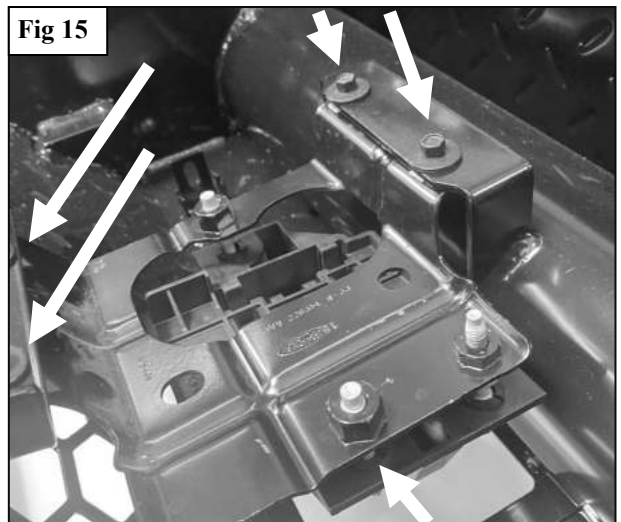
(4) M5 Button Head Bolts, (4) M5 Flat Washers, (4) M5 Hex Nuts



ATTACH PARKING SENSORS WITH L-TABS (ITEM 4) AND M6 HARDWARE (ITEMS 13-16)

DO NOT REMOVE ACC SENSOR FROM OEM HOUSING

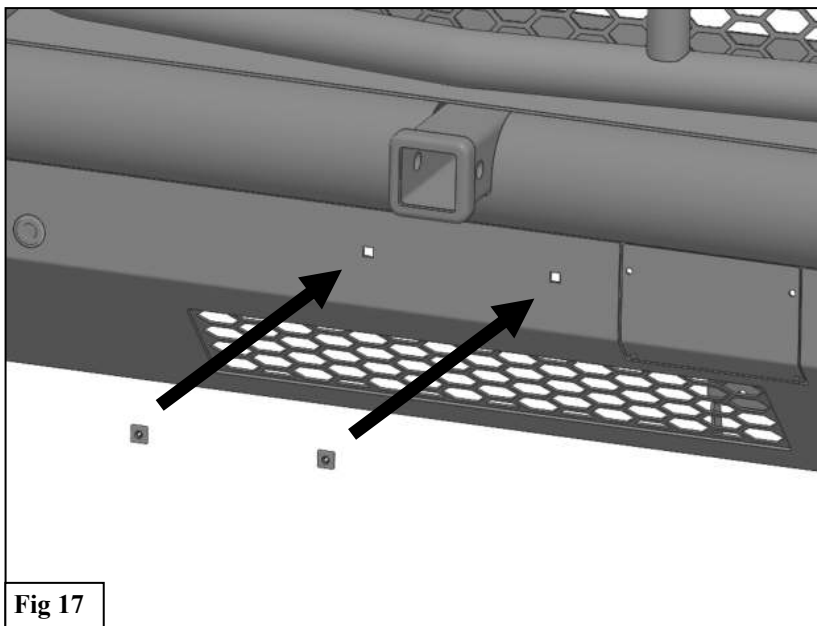
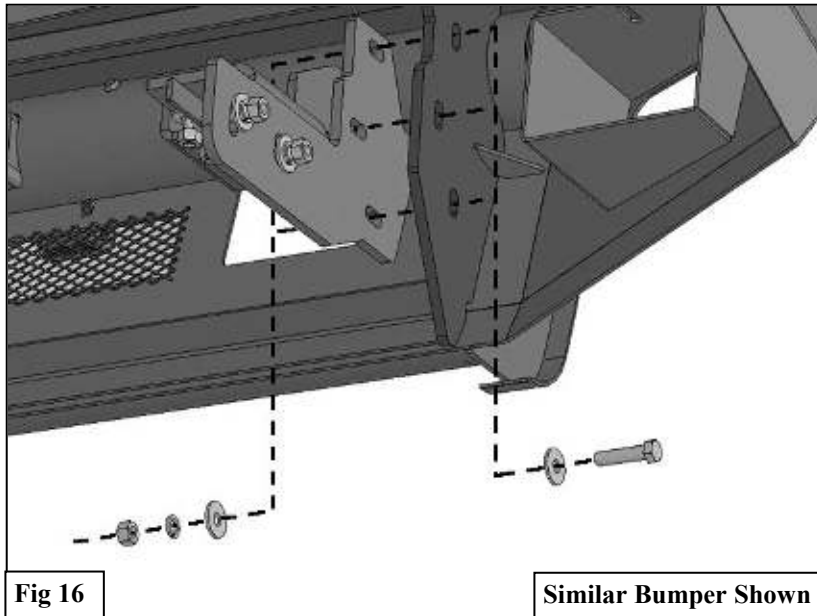
(4) M6 Hex Bolts, (4) M6 Flat Washers



ACC SENSOR PLUG FACES TOWARD PASSENGER SIDE

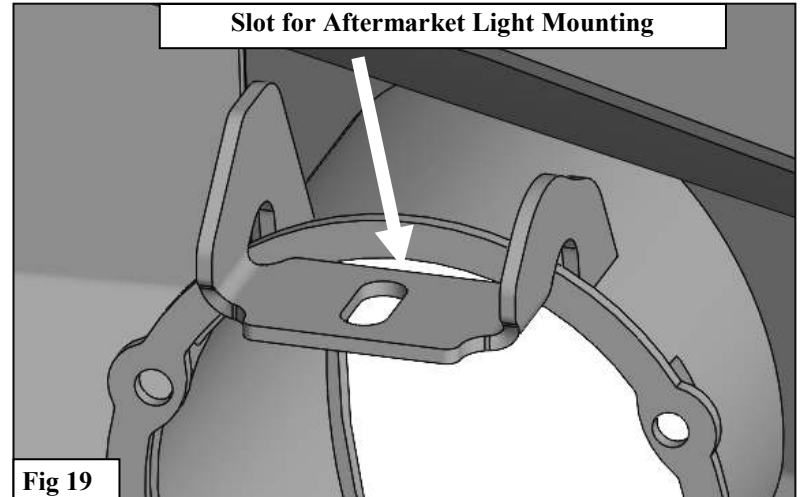
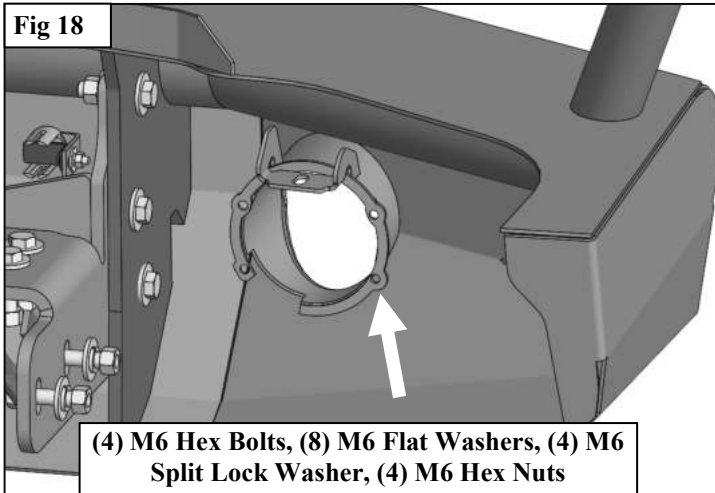
BUMPER INSTALL CONT.

8. Repeat **Steps 5-7** to attach the driver/left Frame Bracket to the end of the frame.
 9. With assistance, carefully position the Bumper Assembly up to the brackets. Temporarily support the weight of the bumper. **WARNING:** To avoid possible injury or damage to the vehicle, do not proceed until the bumper is fully and safely supported.
10. Line up the (3) holes in the passenger/right side of the Bumper (item 1) with the (3) holes in the Frame Bracket (item 2). Attach the Bumper to the Bracket with the included (3) M12 Hex Bolts (item 7), (6) M12 Flat Washers (8), (3) M12 Lock Washers (item 10) and (3) M12 Hex Nuts (item 9), (**Figure 16**). Do not fully tighten hardware at this time. Repeat to attach the driver/left side of the Bumper to the Bracket.
 11. Level and adjust the bumper and fully tighten all M12 hardware to 65-70ft-lbs.
 12. Use the included (2) push-in plastic plugs (item 3) to attach the front license plate, (if required), to the (2) holes in the front bumper, (**Figure 17**).



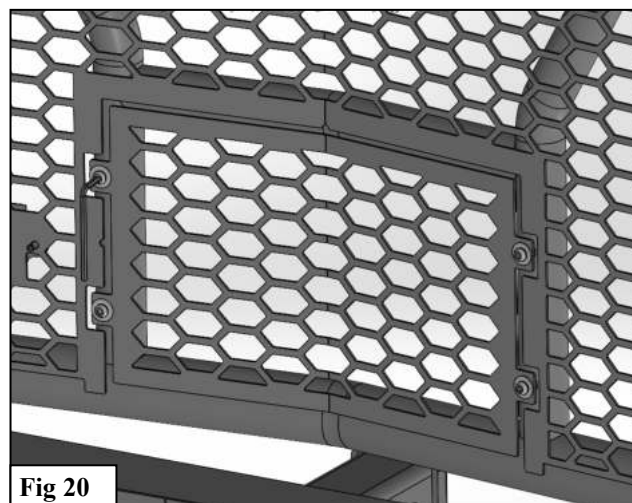
13. Models with factory fog lights:

- Use a flat head screwdriver to carefully pop out the tabs on the side of the fog light bracket attaching the light to the bracket, **(Figure 1)**. Pop the light out of the plastic bracket housing.
- Remove the adjustment screw and spring from the light assembly.
- Mount the OEM Fog Lights according using (4) M6 Hex Bolts (item 11), (8) M6 Flat Washers (item 13), (4) M6 Split Lock Washer (item 15), (4) M6 Hex Nuts (item 14), **(Figure 18)**.
- Repeat to install the driver/left fog light.
- Aftermarket lighting can be installed using the top bracket attached to the Front Bumper (item 1), **(Figure 19)**.



14. Plug in the fog lights using the OEM bumper harness. Adjust lights as necessary and tighten all fog light bracket hardware.
15. Do periodic inspections to the installation to make sure that all hardware is secure and tight.

Note: ITEM 1 comes with an installed front camera cover. It can be removed using a 4MM Allen Key **(Figure 20)**.



INSTALLATION COMPLETE



**CURRENT PRODUCTION FEATURES REMOVEABLE
FRONT CAMERA OPENING**

CARE INSTRUCTIONS

- REGULAR WAXING IS RECOMMENDED. DO NOT USE ANY TYPE OF POLISH OR WAX THAT MAY CONTAIN ABRASIVES.
- STAINLESS STEEL PRODUCTS CAN BE CLEANED WITH MILD SOAP AND WATER. STAINLESS STEEL POLISH SHOULD BE USED TO POLISH SMALL SCRATCHES.
- GLOSS BLACK FINISHES SHOULD BE CLEANED WITH MILD SOAP AND WATER.

WESTIN Westin Automotive Products, Inc.
320 W. Covina Blvd
San Dimas, Ca. 91773

P.N.: 75-58311205-RevB

ECO #:W24-0997

Thank you for choosing Westin products
for additional installation assistance please call
Customer Service (800) 793-7846

www.westinautomotive.com

DATE: 2/22/24



WARNING



Failure to follow these instructions could lead to death, personal injury, and / or property damage.

Failure to follow these instructions could lead to death, personal injury, and / or property damage.

FASTENERS:

All Westin supplied fasteners must be utilized and installed in accordance with the installation instructions and apply torque to the specifications as defined. **DOUBLE CHECK ALL FASTENERS BEFORE INITIAL USE, AND PERIODICALLY IN THE FUTURE TO ENSURE PROPER FUNCTION AND SAFETY.**

DRILLING:

Most Westin products do not require drilling for installation. If drilling is defined as required, use caution when drilling a vehicle. **FAILURE TO REVIEW AN AREA TO BE DRILLED MAY RESULT IN PERSONAL INJURY AND/OR INJURY TO OTHERS AS WELL AS VEHICLE DAMAGE.**

EYE PROTECTION:

ALWAYS WEAR SAFETY GLASSES OR GOGGLES DURING THE INSTALLATION PROCESS TO AVOID PERSONAL INJURY.

MAXIMUM TOWING/CARRYING CAPACITY: (if applicable)

The Westin Receiver Hitches will have a visible tow rating label affixed directly on the product. User should never exceed the vehicle manufacturers maximum tow and weight rating regardless of the capacity of the hitch. **FAILURE TO FOLLOW THESE GUIDELINES WILL VOID THE WESTIN WARRANTY AND MAY RESULT IN PERSONAL INJURY AND/OR INJURY TO OTHERS AS WELL AS VEHICLE DAMAGE.**

FOR CALIFORNIA RESIDENTS ONLY-PROP 65 WARNING:

Some products may contain chemicals such as DEHP, which can cause cancer, birth defects or other reproductive harm. For more info go to www.p65warnings.ca.gov



Westin Automotive Products, Inc.
320 W. Covina Blvd
San Dimas, Ca. 91773