

INSTALLATION INSTRUCTIONS

HDX BANDIT REAR BUMPER



APPLICATION:

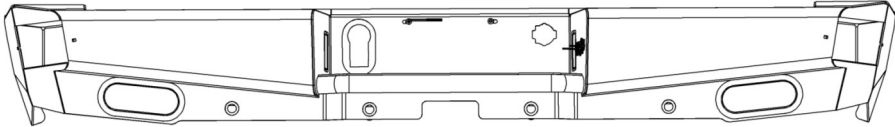
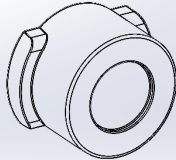
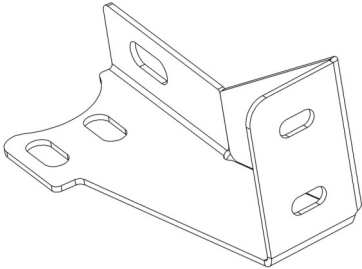
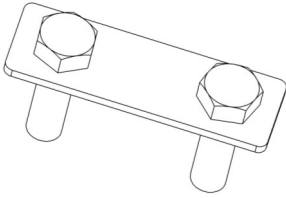
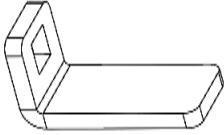
2014-2018 CHEVROLET/GMC SILVERADO/SIERRA 1500; 2019 SILVERADO LD/SIERRA 1500 LIMITED; 2015-2019 CHEVROLET/GMC SILVERADO/SIERRA 2500/3500

PART NUMBER:

58-341155

CONTENT			
ITEM	QUANTITY	DESCRIPTION	TOOLS NEEDED
1	1	REAR BUMPER	10MM SOCKET
2	2	BUMPER MOUNTING BRACKET (1 DRIVER, 1 PASSENGER)	10MM WRENCH
3	4	SENSOR L-TAB	19MM SOCKET
4	4	SENSOR HOLE PLUG	19MM WRENCH
5	2	DOUBLE BOLT PLATE	RATCHET
6	2	BACK UP LIGHT	TORQUE WRENCH
7	2	LICENSE PLATE LIGHT	
8	6	M12 HEX HEAD BOLT	
9	10	M12 SPLIT LOCK WASHER	
10	16	M12 FLAT WASHER	
11	10	M12 HEX NUT	
12	2	M6 SOCKET DRIVE BUTTON HEAD BOLT	
13	2	M6 SERRATED FLANGE NUT	
14	6	M6 FLAT WASHER	
15	4	M6 ROUND HEAD SQUARE NECK BOLT	
16	4	M6 SPLIT LOCK WASHER	
17	4	M6 HEX NUT	
18	6	T-TAP CONNECTOR	

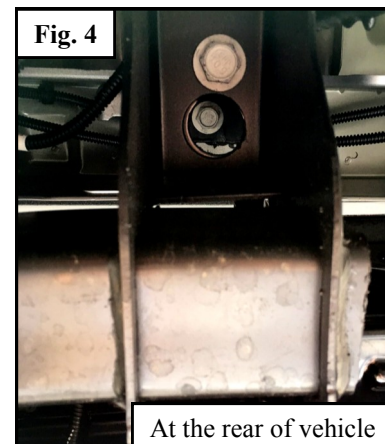
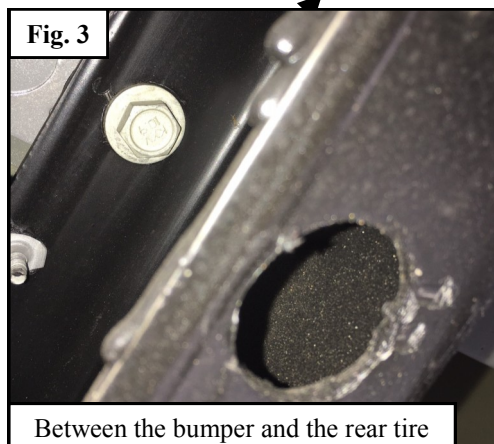
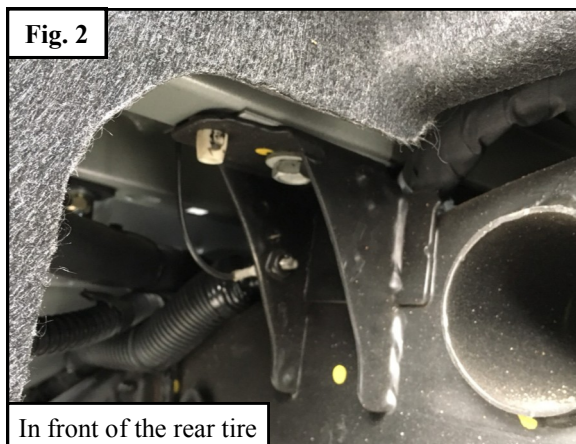
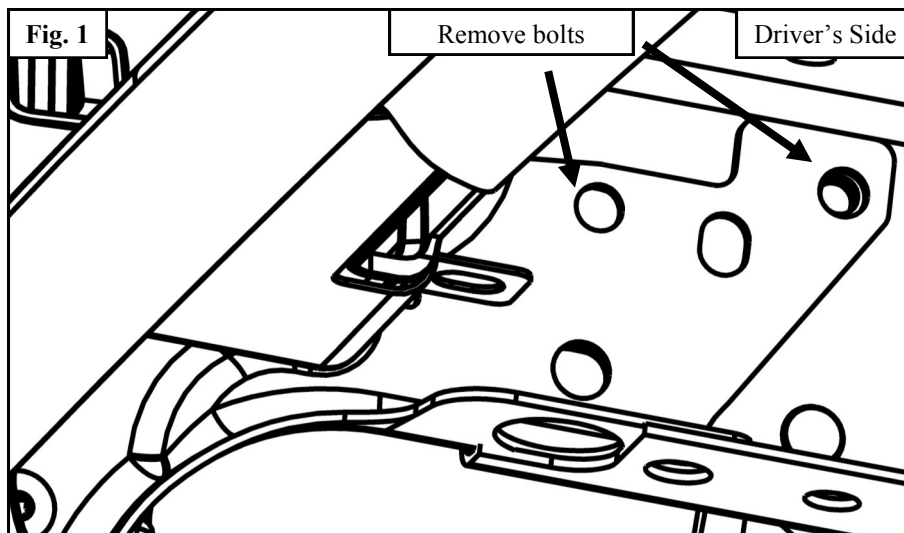
ANTI-SEIZE LUBRICANT MUST BE USED ON ALL STAINLESS STEEL FASTENERS TO PREVENT THREAD DAMAGE AND GALLING

<p>ITEM 1</p> 	<p>ITEM 4</p> 	
<p>ITEM 2</p> 	<p>ITEM 5</p> 	<p>ITEM 3</p> 

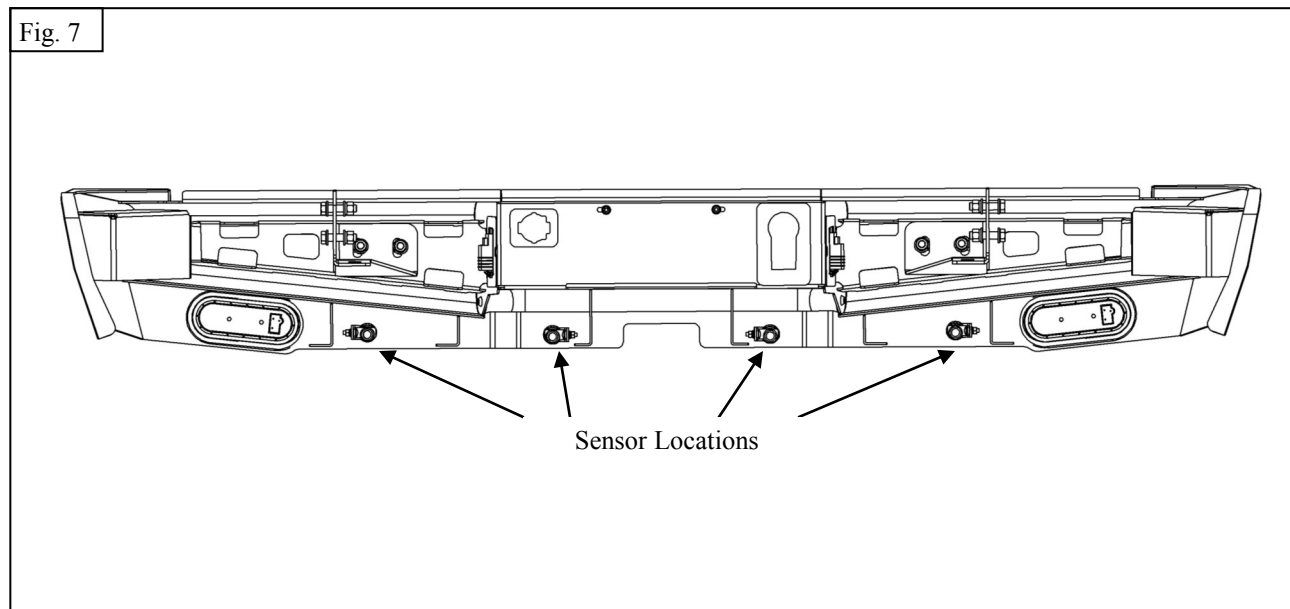
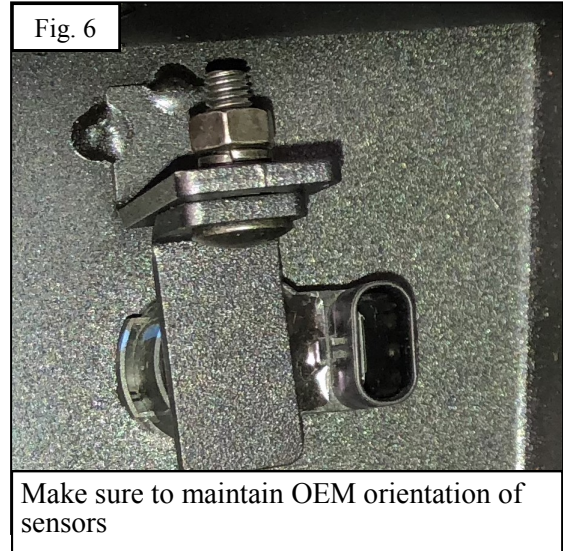
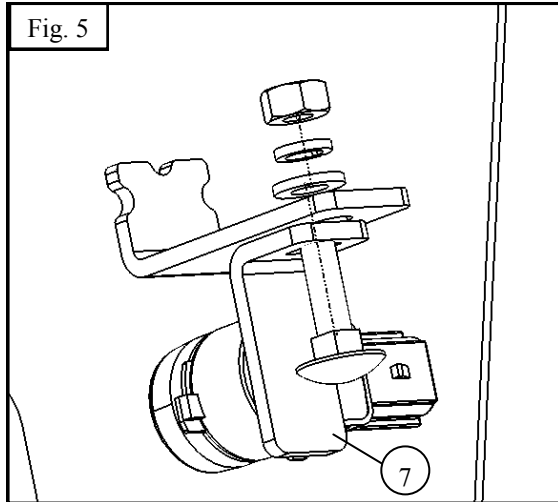
PROCEDURE

1. Remove contents from box, verify if all parts listed are present and free from damage.
Carefully read and understand all instructions before attempting installation.
Failure to identify damage before installation could lead to a rejection of any claim.

2. Disconnect license plate lights, trailer connector and park assist sensors so that bumper assembly can be removed.
3. Remove the four bolts indicated in **Figure 1** from the driver's side frame bracket. Repeat on passenger's side.
4. In order to remove the stock bumper, three bolts on each side of the vehicle holding the bed to the frame must be loosened and the bed must be lifted slightly. **Figures 2-4** show the locations of these three bolts on the driver's side. **Note:** Do not remove these bolts. Only loosen them

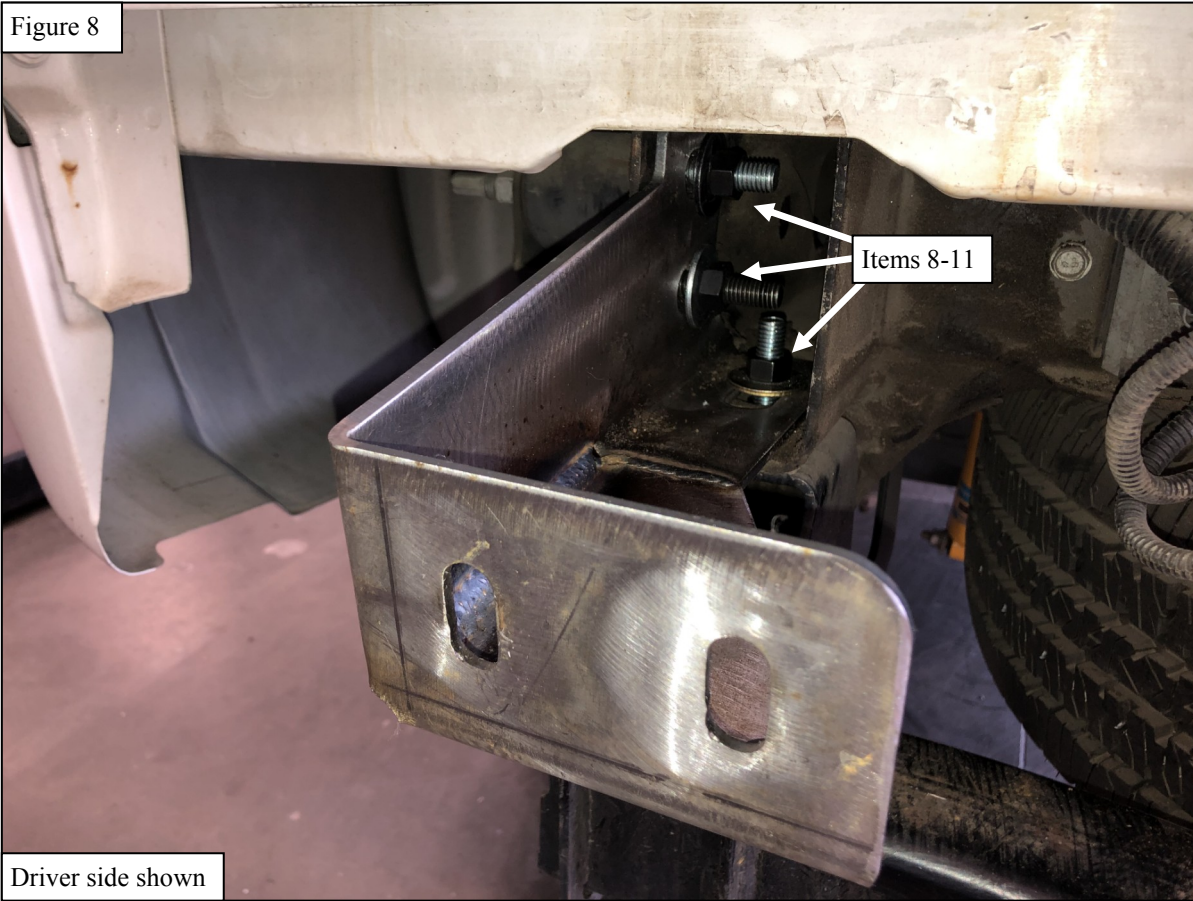


5. **If sensors are equipped:** Install parking sensors by inserting into the holes on bumper and pressing with sensor L-tabs against bumper plate. Fasten L-tabs with the supplied M6 hardware (14-17) . **See Figure 5-7.** Use supplied double sided tape between sensor and L-Tab to keep the sensor from rotating.
 - If sensors are not equipped:** Place the supplied plugs in the sensor holes.
6. Use zip ties to secure sensor in place.
 - Note:* Be sure to maintain the orientation of the sensor so that it remains consistent with its original orientation.
7. Tighten M6 hardware to 5-7 ft-lbs.



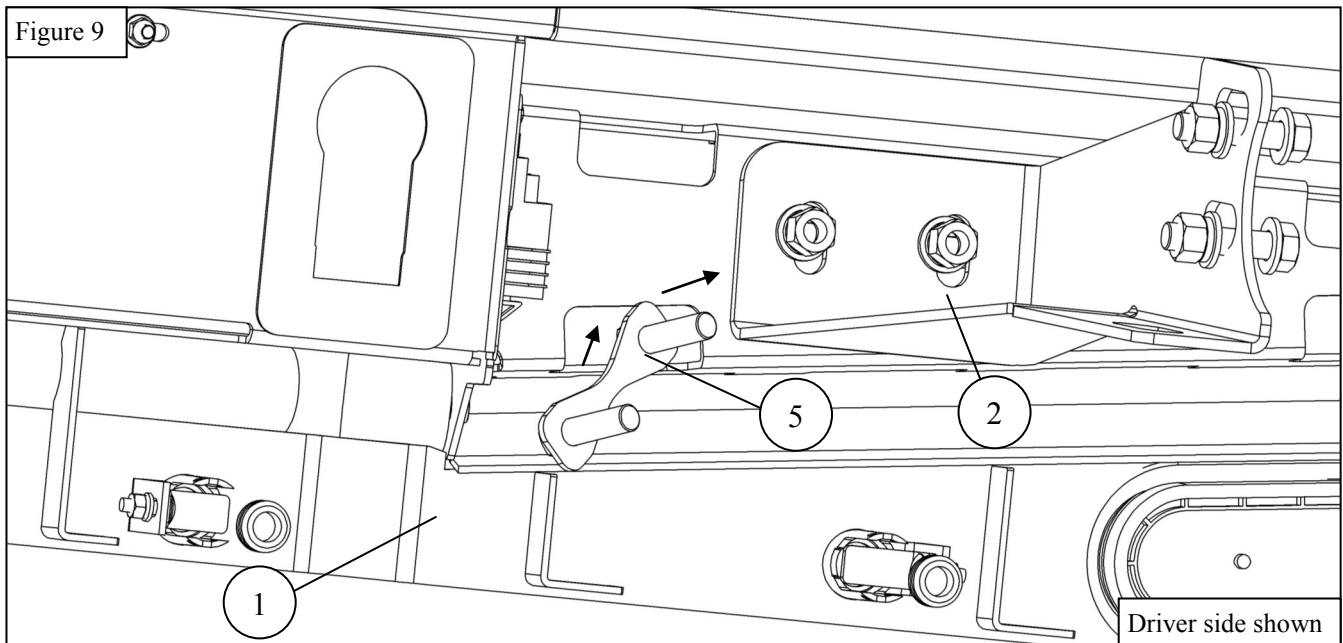
8. Using the supplied M12 hardware, loosely assemble the driver/passenger mounting brackets to the factory tow hitch. See

Figure 8

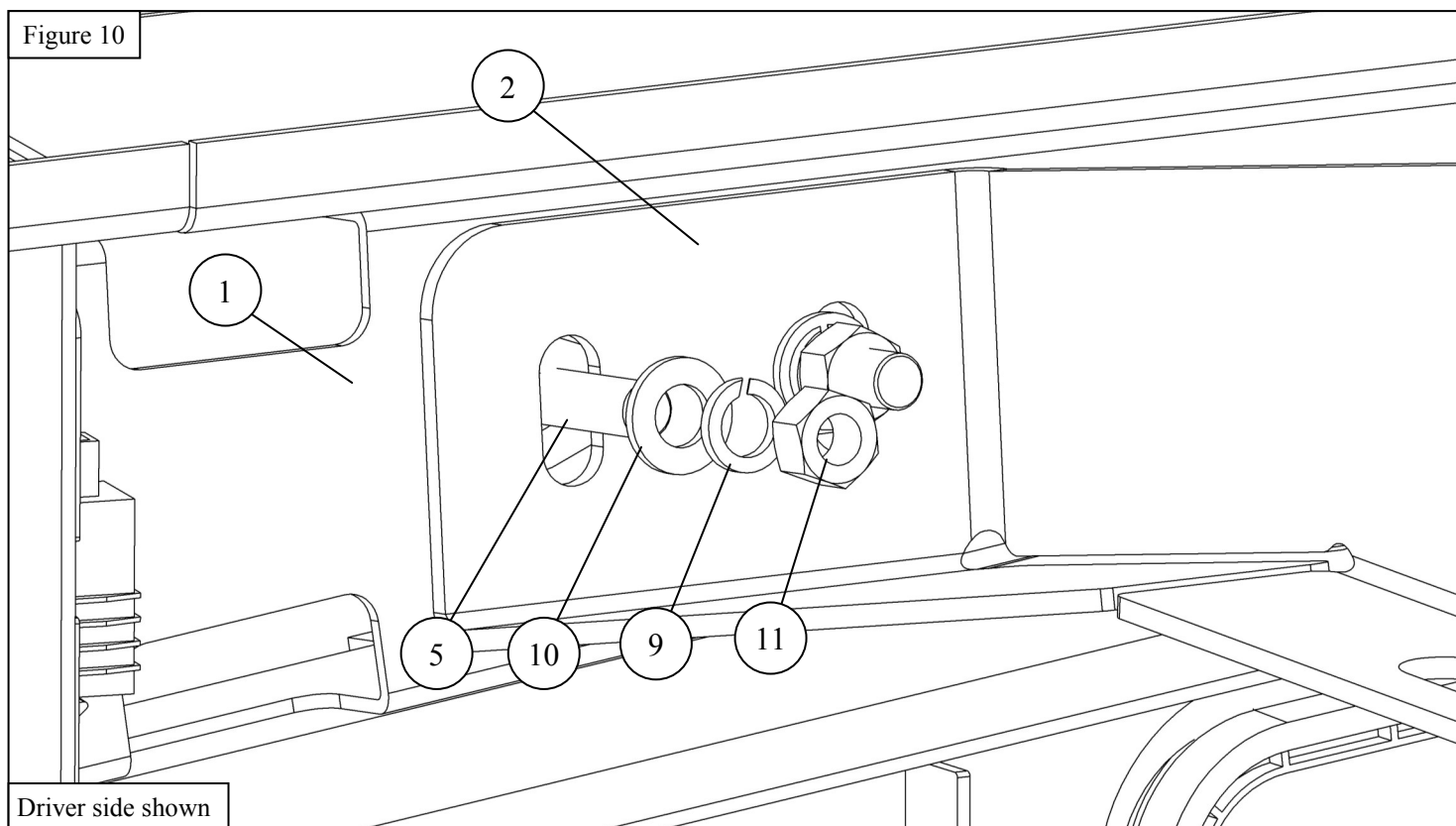


9. Insert the supplied M12 bolt plates into the bumper. See Figure 9.

Figure 9



10. With help, loosely assemble the bumper to the mounting brackets. See Figure 10.



11. Install the Trailer plug and license plate at this time.

WARNING .

After you have mounted bumper on main brackets. CAREFULLY open tailgate. While tailgate is open, adjust the height of the bumper so that it has at least 3/8" of clearance with respect to the tailgate. Torque to 50-55 ft-lbs.

12. Install license plate lights at this time. The lights will "click" in to the rectangular hole on the bumper.

13. In order to install the back up lights and license plate lights in the bumper, T-tap connectors are supplied to splice in to the factory wiring harness. It is recommended that this be done by a professional installer in order to properly set up the wir-

INSTALLATION COMPLETE



CARE INSTRUCTIONS

- REGULAR WAXING IS RECOMMENDED. DO NOT USE ANY TYPE OF POLISH OR WAX THAT MAY CONTAIN ABRASIVES.
- STAINLESS STEEL PRODUCTS CAN BE CLEANED WITH MILD SOAP AND WATER. STAINLESS STEEL POLISH SHOULD BE USED TO POLISH SMALL SCRATCHES.
- GLOSS BLACK FINISHES SHOULD BE CLEANED WITH MILD SOAP AND WATER.

WESTIN Westin Automotive Products, Inc.
320 W. Covina Blvd
San Dimas, Ca. 91773

Thank you for choosing Westin products
for additional installation assistance please call
Customer Service (800) 793-7846
www.westinautomotive.com



WARNING



Failure to follow these instructions could lead to death, personal injury, and / or property damage.

Failure to follow these instructions could lead to death, personal injury, and / or property damage.

FASTENERS:

All Westin supplied fasteners must be utilized and installed in accordance with the installation instructions and apply torque to the specifications as defined. **DOUBLE CHECK ALL FASTENERS BEFORE INITIAL USE, AND PERIODICALLY IN THE FUTURE TO ENSURE PROPER FUNCTION AND SAFETY.**

DRILLING:

Most Westin products do not require drilling for installation. If drilling is defined as required, use caution when drilling a vehicle. **FAILURE TO REVIEW AN AREA TO BE DRILLED MAY RESULT IN PERSONAL INJURY AND/OR INJURY TO OTHERS AS WELL AS VEHICLE DAMAGE.**

EYE PROTECTION:

ALWAYS WEAR SAFETY GLASSES OR GOGGLES DURING THE INSTALLATION PROCESS TO AVOID PERSONAL INJURY.

MAXIMUM TOWING/CARRYING CAPACITY: (if applicable)

The Westin Receiver Hitches will have a visible tow rating label affixed directly on the product. User should never exceed the vehicle manufacturers maximum tow and weight rating regardless of the capacity of the hitch. **FAILURE TO FOLLOW THESE GUIDELINES WILL VOID THE WESTIN WARRANTY AND MAY RESULT IN PERSONAL INJURY AND/OR INJURY TO OTHERS AS WELL AS VEHICLE DAMAGE.**

FOR CALIFORNIA RESIDENTS ONLY-PROP 65 WARNING:

Some products may contain chemicals such as DEHP, which can cause cancer, birth defects or other reproductive harm. For more info go to www.p65warnings.ca.gov



Westin Automotive Products, Inc.
320 W. Covina Blvd
San Dimas, Ca. 91773