

# INSTALLATION INSTRUCTIONS

## PRO-MOD FRONT BUMPER



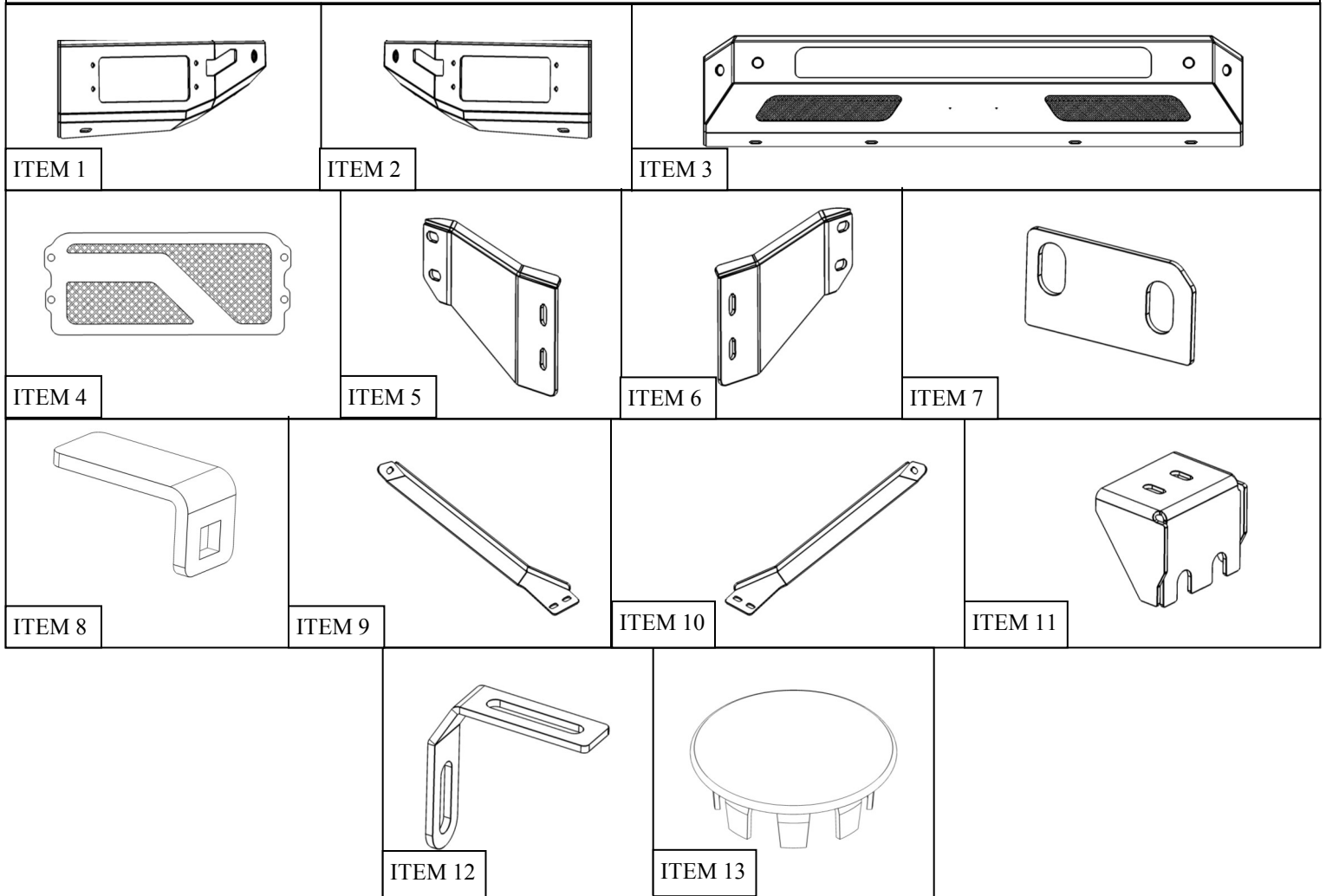
**APPLICATION:**  
2010-2019 Ram 2500/3500 (Old Body Style)  
**PART NUMBER:**  
58-41195

CONTENT			
ITEM	QUANTITY	DESCRIPTION	TOOLS NEEDED
1	1	DRIVER POD ASSEMBLY	10MM SOCKET
2	1	PASSENGER POD ASSEMBLY	10MM WRENCH
3	1	CENTER SECTION	13MM SOCKET
4	2	MESH COVER PLATE	13MM WRENCH
5	1	DRIVER MOUNTING BRACKET	16MM SOCKET
6	1	PASSENGER MOUNTING BRACKET	16MM WRENCH
7	2	SHIM	18MM SOCKET
8	6	SENSOR TAB	19MM WRENCH
9	1	DRIVER SUPPORT STRAP	ALLEN KEY
10	1	PASSENGER SUPPORT STRAP	RATCHET
11	2	BASE SUPPORT	TORQUE WRENCH
12	2	LED BRACKET	
13	6	SENSOR HOLE PLUG	
14	12	M6 BUTTON HEAD BOLT (BLACK ZINC)	
15	12	M6 FLAT WASHER (BLACK ZINC)	
16	12	M6 SERRATED FLANGE NUT (BLACK ZINC)	
17	12	M6 LOCK WASHER (BLACK ZINC)	
18	2	M10 BUTTON HEAD BOLT (BLACK ZINC)	
19	2	M10 LOCK WASHER (BLACK ZINC)	
20	4	M10 FLAT WASHER (BLACK ZINC)	
21	2	M10 HEX NUT (BLACK ZINC)	
22	4	M8 BUTTON HEAD BOLT (BLACK ZINC)	
23	4	M8 LOCK WASHER (BLACK ZINC)	
24	8	M8 FLAT WASHER (BLACK ZINC)	
25	4	M8 HEX NUT (BLACK ZINC)	
26	8	M12 SERRATED FLANGE NUT (YELLOW ZINC)	
27	4	SHORT M12 HEX HEAD BOLT (YELLOW ZINC)	
28	8	M12 LOCK WASHER (YELLOW ZINC)	

**ANTI-SEIZE LUBRICANT MUST BE USED ON ALL STAINLESS STEEL FASTENERS TO PREVENT THREAD DAMAGE AND GALLING**

ITEM	QUANTITY	DESCRIPTION	TOOLS NEEDED
29	16	M12 FLAT WASHER (YELLOW ZINC)	
30	6	M6 CARRIAGE BOLT (YELLOW ZINC)	
31	6	M6 LOCK WASHER (YELLOW ZINC)	
32	6	M6 HEX NUT (YELLOW ZINC)	
33	6	M6 FLAT WASHER (YELLOW ZINC)	
34	4	M10 HEX HEAD BOLT (YELLOW ZINC)	
35	4	M10 LOCK WASHER (YELLOW ZINC)	
36	8	M10 FLAT WASHER (YELLOW ZINC)	
37	4	M10 HEX NUT (YELLOW ZINC)	
38	4	LONG M12 HEX HEAD BOLT (YELLOW ZINC)	

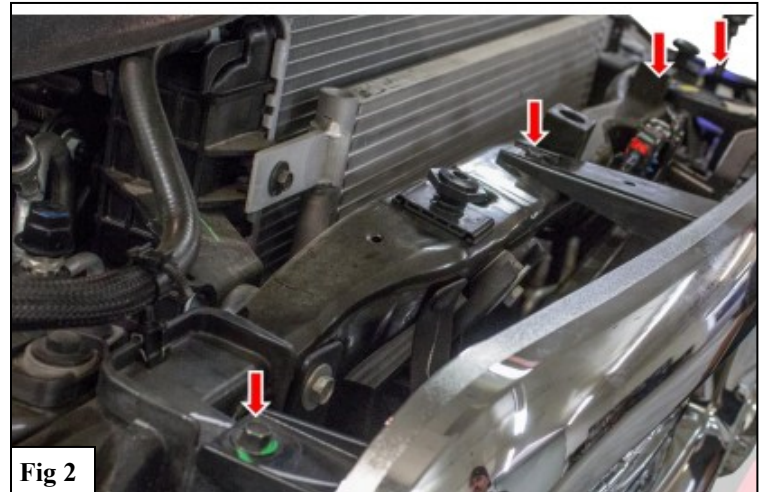
**ANTI-SEIZE LUBRICANT MUST BE USED ON ALL STAINLESS STEEL FASTENERS TO PREVENT THREAD DAMAGE AND GALLING**



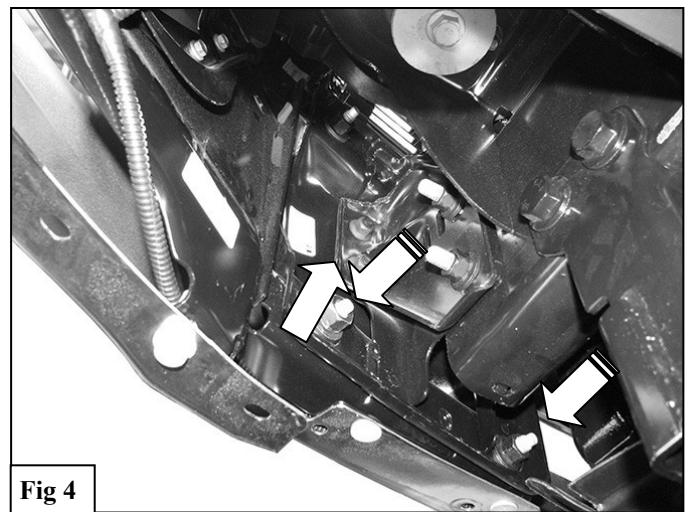
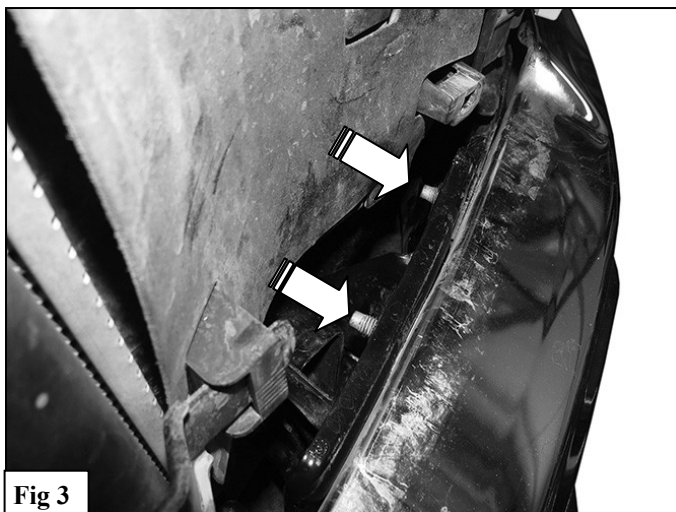
## PROCEDURE

1. Remove contents from box, verify if all parts listed are present and free from damage. Carefully read and understand all instructions before attempting installation.  
**Failure to identify damage before installation could lead to a rejection of any claim.**

2. Unplug any wire connections to the OEM Bumper.
3. Open the hood and temporarily remove the top plastic cover between the radiator and the grille. See **Figure 1**.
4. Also remove the grille for easier access to top bumper bracket bolts by removing the 4 M6 bolts on the top of the radiator. See **Figure 2**. Remove the grill by carefully pulling on the grille near the attachment points. *Note: Using a pry tool to assist in releasing the clips may help.*

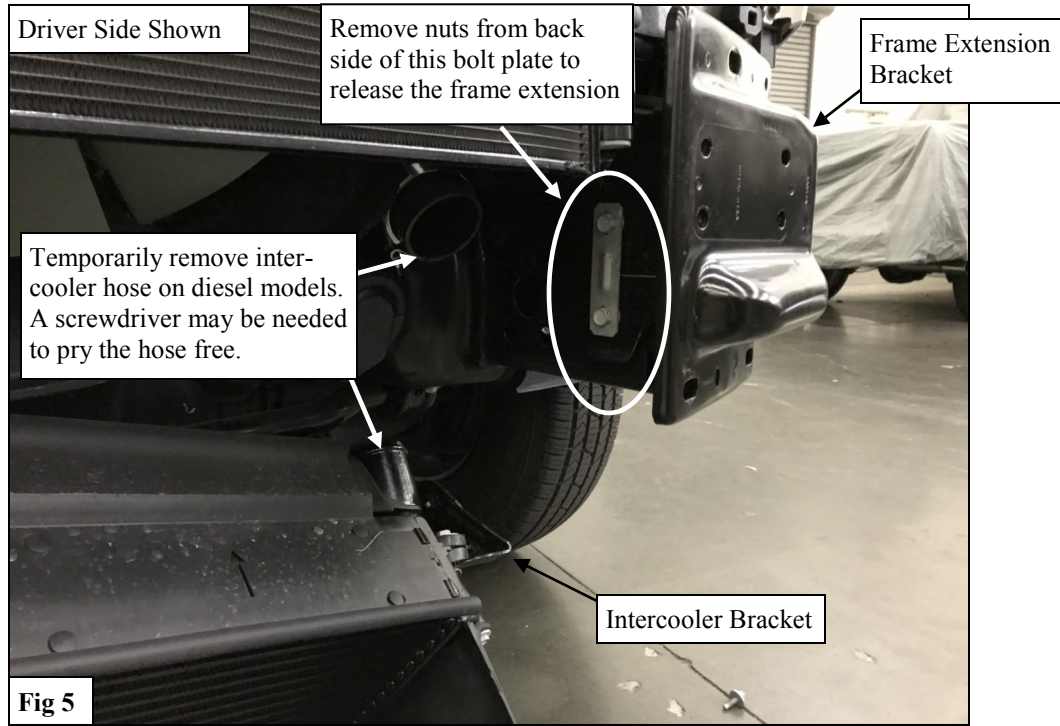


5. Release the clips attaching the lower splash guard to the back of the front bumper, (if equipped). Locate the factory bumper nuts attaching the outer bumper to the inner brackets and remove them. See **Figures 3 & 4**.
6. With assistance, remove the bumper assembly. Next, remove the (2) tow hooks. *Note: Tow hooks may not be re-used.*

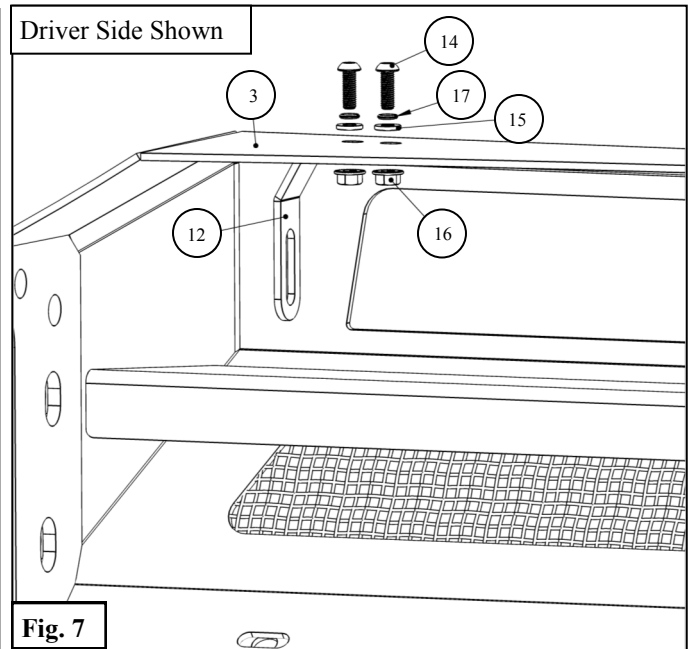
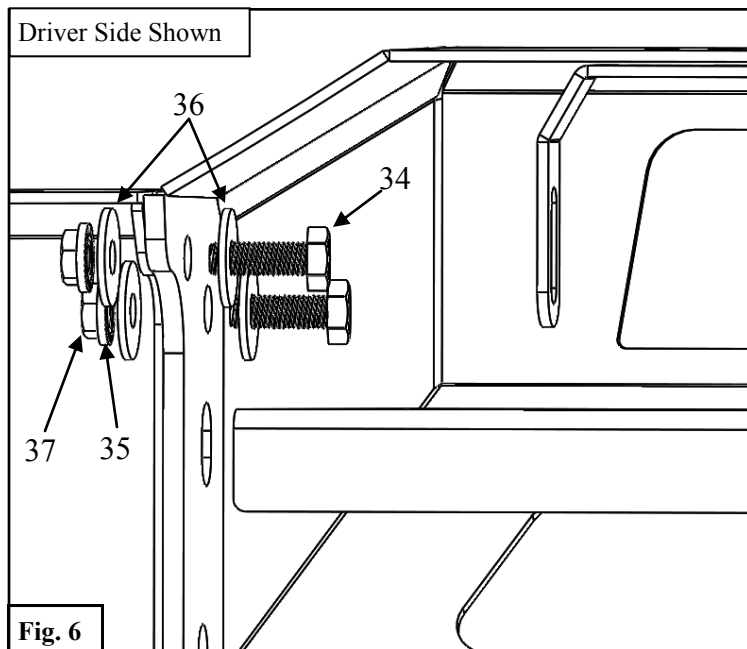




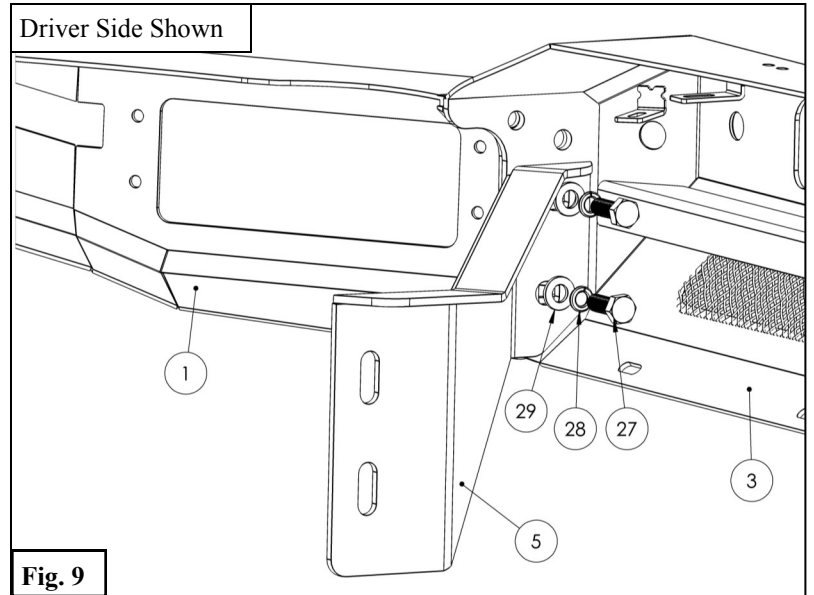
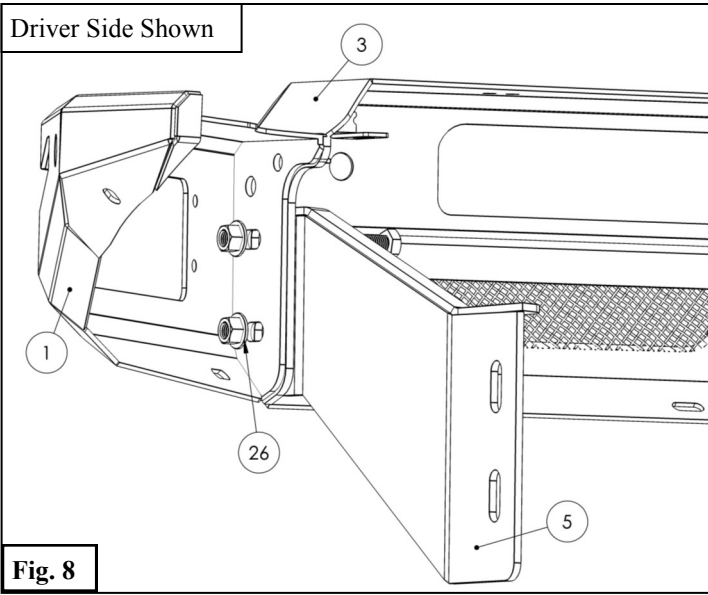
7. Remove the driver side inner bumper bracket and lower frame extension brackets from the ends of the frame. See **Figure 5**. **NOTE:** Lower frame extension brackets cannot be reinstalled. **IMPORTANT:** On models equipped with a diesel engine, the intercooler will need to be moved out of the way to remove the frame extension bracket. This is done by loosening the hose clamps & unbolting the intercooler brackets from the frame. Assistance is highly recommended to avoid damaging the intercooler.



8. Use the supplied M10 Hardware to attach each Side Pod Assembly (1,2) to the Center Section (3). See **Figure 6**.  
 9. Use the supplied M6 Hardware to attach the LED Brackets (15) to the center section. See **Figure 7**. *Note: If installing an LED Light Bar (sold separately), install it at this time.*



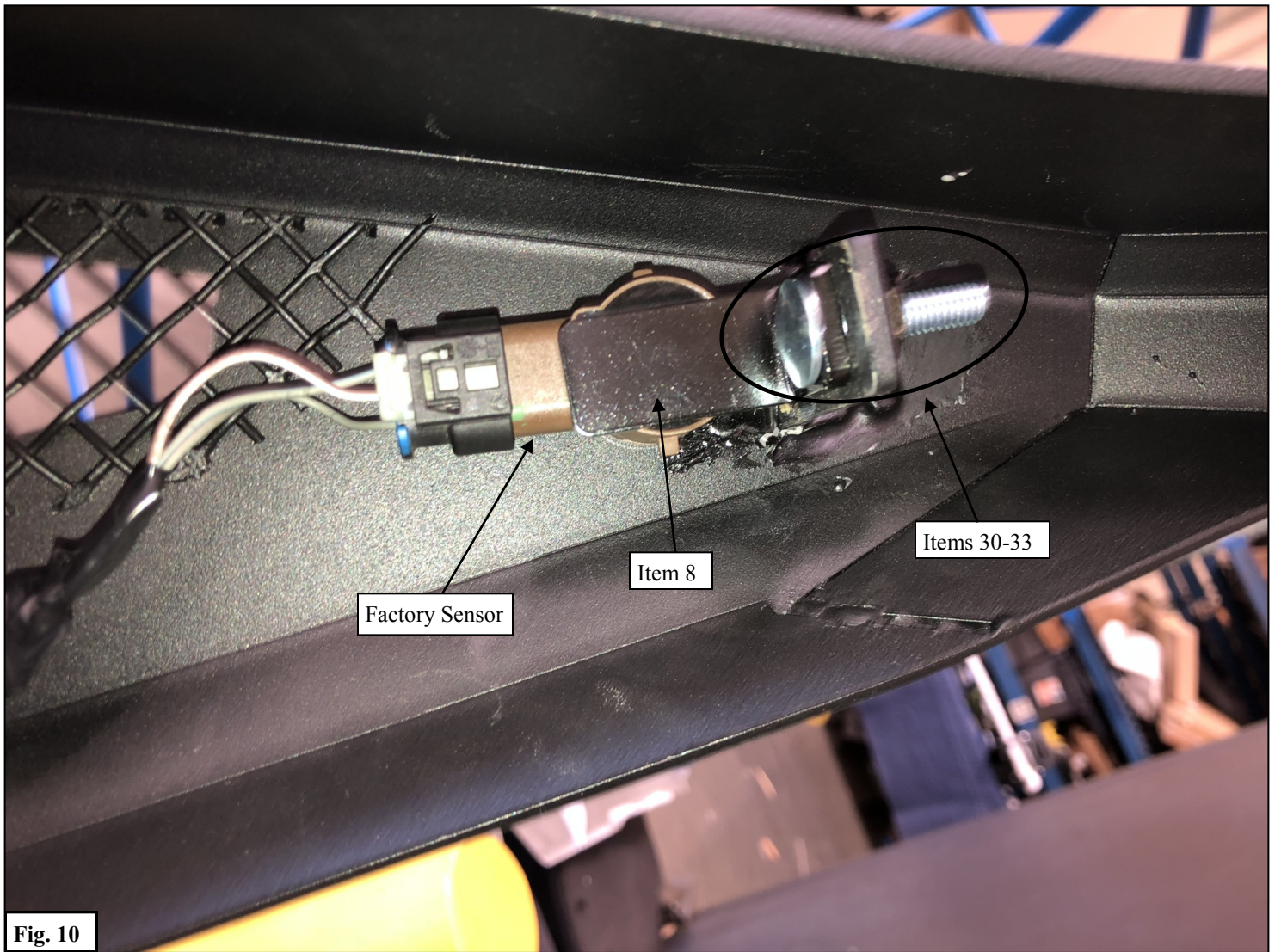
10. Loosely install the bumper assembly to the Mounting Brackets (5,6) using the supplied M12 Hardware. See **Figures 8 & 9.**



## PARKING SENSOR INSTALLATION

**\*If not installing sensors, install Hole Plugs (13) into holes on bumper and proceed**

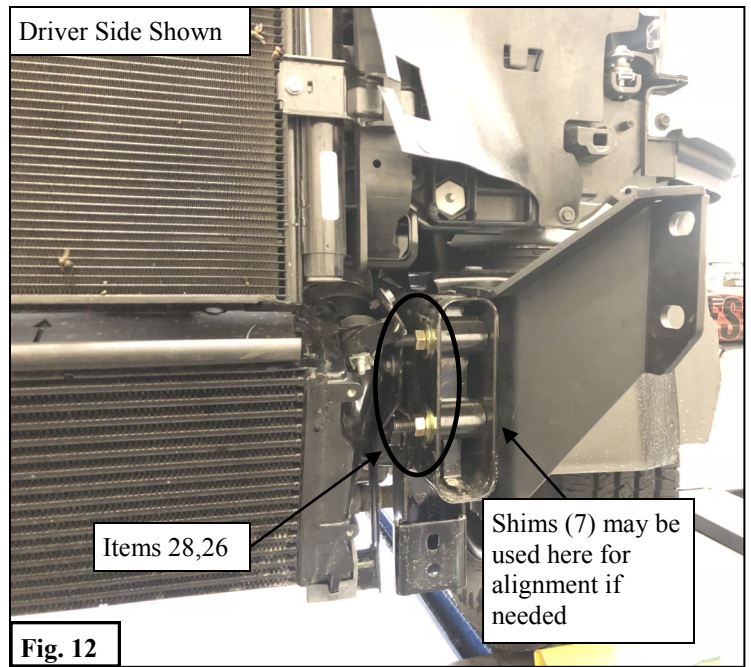
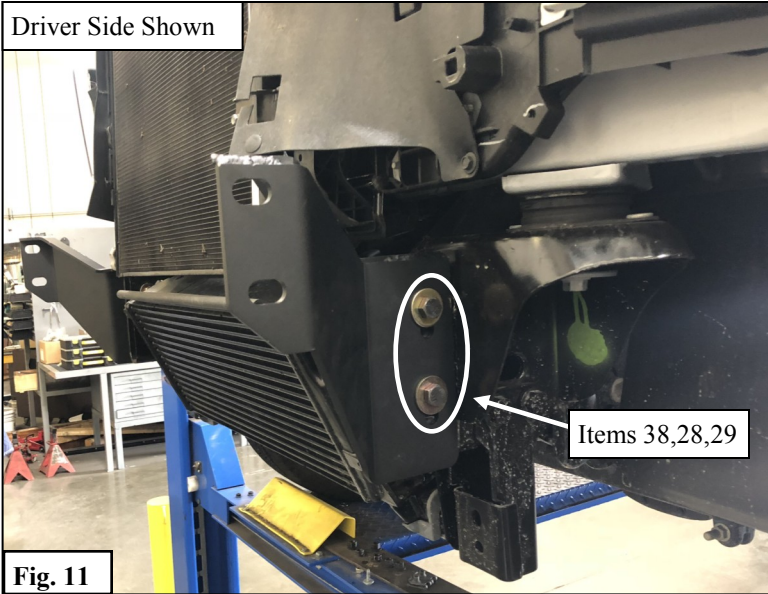
11. Remove the parking sensors from the OEM bumper.
12. Use the Sensor Tab (8) along with the supplied M6 Hardware (30-33) to install the sensors as shown in **Figure 10**.



**Fig. 10**

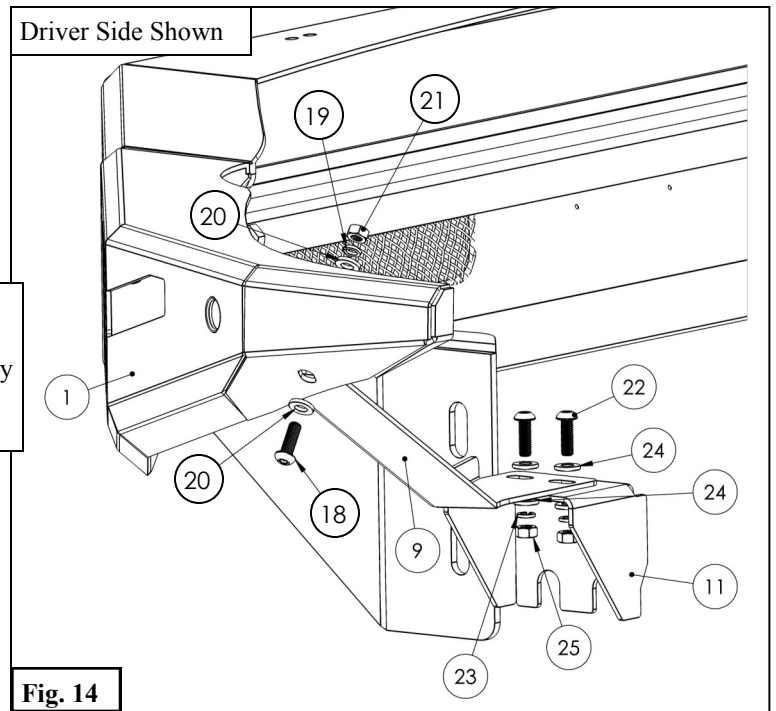
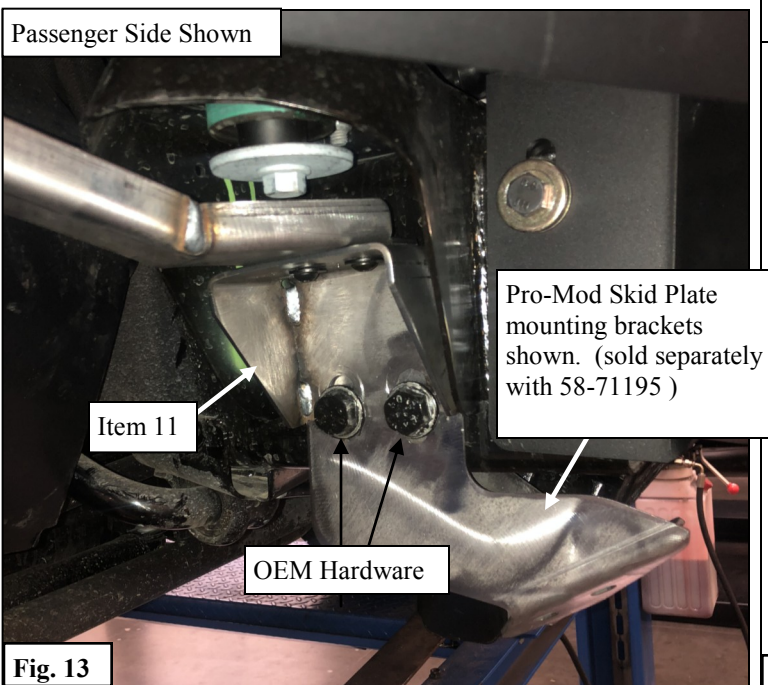


13. Use the supplied M12 Hardware to loosely secure the pre-assembled Bumper and Brackets to the vehicle's frame. See **Figures 11 & 12.**

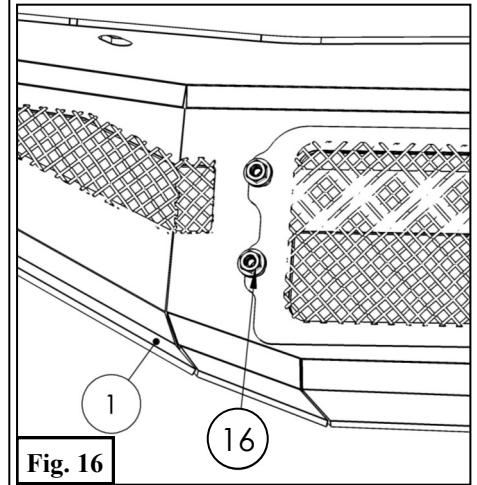
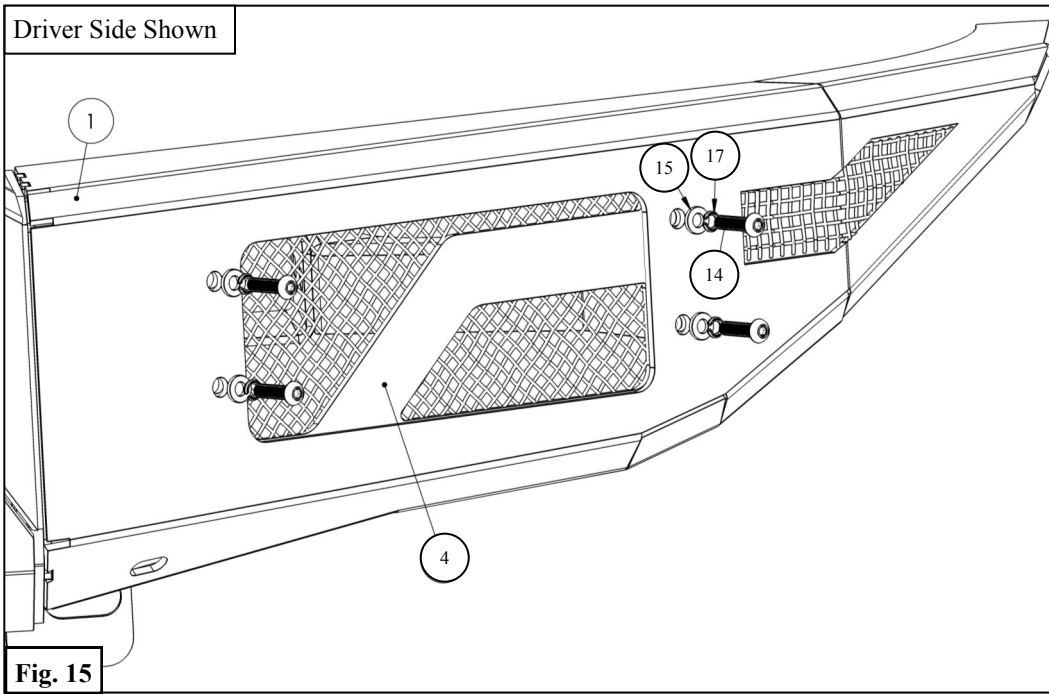


14. Use OEM Hardware to install the Base Support (11) to the frame of the vehicle. See **Figure 13.**

15. Use the supplied M8 Hardware to attach the Support Straps (9,10) to the Base Support (11) and Bumper. See **Figure 14.**



16. Attach the Mesh Side Covers (4) to the Bumper using the supplied M6 Hardware. See **Figures 15 & 16**.
17. Align the bumper as desired and torque all hardware as specified: M6 to 8 ft-lbs, M8 to 18 ft-lbs, M10 to 38 ft-lbs, M12 to 60 ft-lbs.





INSTALLATION COMPLETE



Skid Plate and Lights Sold Separately

#### CARE INSTRUCTIONS

- REGULAR WAXING IS RECOMMENDED. DO NOT USE ANY TYPE OF POLISH OR WAX THAT MAY CONTAIN ABRASIVES.
- STAINLESS STEEL PRODUCTS CAN BE CLEANED WITH MILD SOAP AND WATER. STAINLESS STEEL POLISH SHOULD BE USED TO POLISH SMALL SCRATCHES.
- GLOSS BLACK FINISHES SHOULD BE CLEANED WITH MILD SOAP AND WATER

**WESTIN**

Westin Automotive Products, Inc.  
320 W. Covina Blvd  
San Dimas, Ca. 91773

Thank you for choosing Westin products  
for additional installation assistance please call  
Customer Service (800) 793-7846

[www.westinautomotive.com](http://www.westinautomotive.com)



## WARNING



Failure to follow these instructions could lead to death, personal injury, and / or property damage.

Failure to follow these instructions could lead to death, personal injury, and / or property damage.

### FASTENERS:

All Westin supplied fasteners must be utilized and installed in accordance with the installation instructions and apply torque to the specifications as defined. **DOUBLE CHECK ALL FASTENERS BEFORE INITIAL USE, AND PERIODICALLY IN THE FUTURE TO ENSURE PROPER FUNCTION AND SAFETY.**

### DRILLING:

Most Westin products do not require drilling for installation. If drilling is defined as required, use caution when drilling a vehicle. **FAILURE TO REVIEW AN AREA TO BE DRILLED MAY RESULT IN PERSONAL INJURY AND/OR INJURY TO OTHERS AS WELL AS VEHICLE DAMAGE.**

### EYE PROTECTION:

**ALWAYS WEAR SAFETY GLASSES OR GOGGLES DURING THE INSTALLATION PROCESS TO AVOID PERSONAL INJURY.**

### MAXIMUM TOWING/CARRYING CAPACITY: (if applicable)

The Westin Receiver Hitches will have a visible tow rating label affixed directly on the product. User should never exceed the vehicle manufacturers maximum tow and weight rating regardless of the capacity of the hitch. **FAILURE TO FOLLOW THESE GUIDELINES WILL VOID THE WESTIN WARRANTY AND MAY RESULT IN PERSONAL INJURY AND/OR INJURY TO OTHERS AS WELL AS VEHICLE DAMAGE.**

### FOR CALIFORNIA RESIDENTS ONLY-PROP 65 WARNING:

Some products may contain chemicals such as DEHP, which can cause cancer, birth defects or other reproductive harm. For more info go to [www.p65warnings.ca.gov](http://www.p65warnings.ca.gov)



Westin Automotive Products, Inc.  
320 W. Covina Blvd  
San Dimas, Ca. 91773