

INSTALLATION INSTRUCTIONS

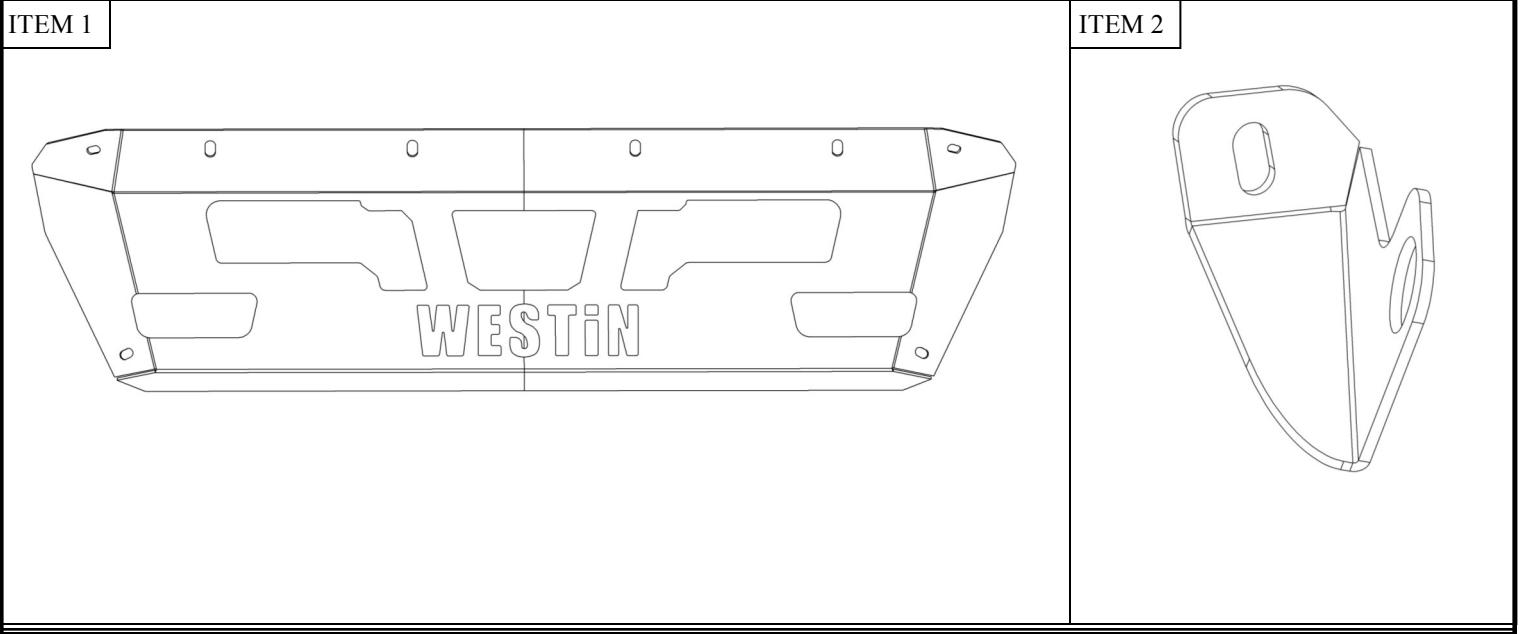
PRO MOD SKID PLATE



APPLICATION:
Chevrolet Silverado 2500/3500 2015-2019
PART NUMBER:
58-71165

CONTENT			
ITEM	QUANTITY	DESCRIPTION	TOOLS NEEDED
1	1	SKID PLATE	15MM SOCKET
2	1	DRIVER MOUNTING BRACKET	RATCHET
3	1	PASSENGER MOUNTING BRACKET	TORQUE WRENCH
4	8	M8 FLAT WASHER	18MM SOCKET
5	6	M8 SPLIT LOCK WASHER	18MM WRENCH
6	2	M10 HEX DRIVE BUTTON HEAD BOLT	13MM SOCKET
7	2	M10 SERATED FLANGE NUT	
8	4	M10 FLAT WASHER	
9	2	M10 SPLIT LOCK WASHER	
10	6	M8 HEX DRIVE BUTTON HEAD BOLT	
11	2	M8 SERRATED FLANGE NUT	
12	2	M12 HEX BOLT	
13	2	M12 SERRATED FLANGE NUT	
14	4	M12 FLAT WASHER	
15	4	M8 U-CLIPS	

ANTI-SEIZE LUBRICANT MUST BE USED ON ALL STAINLESS STEEL FASTENERS TO PREVENT THREAD DAMAGE AND GALLING



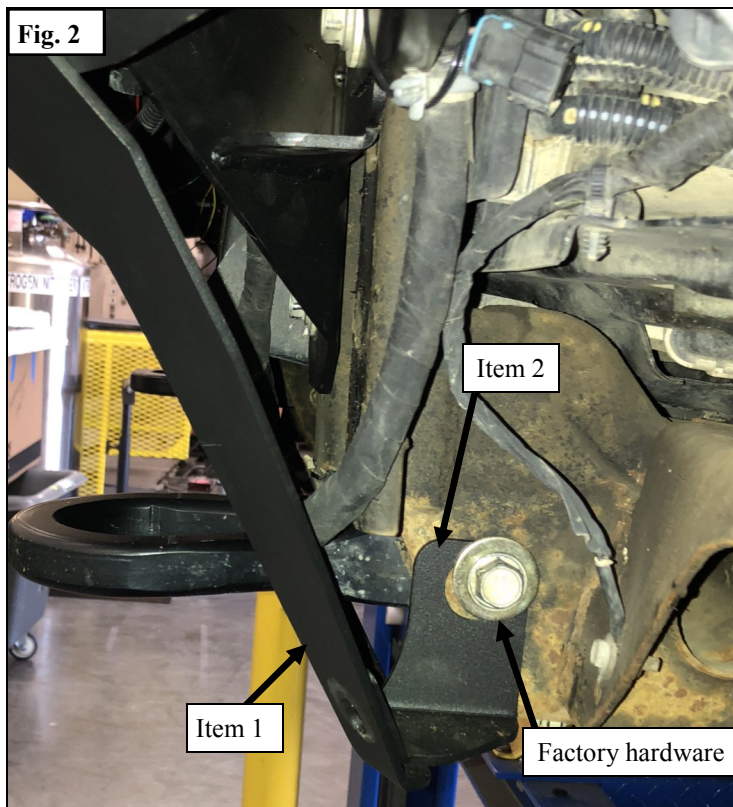
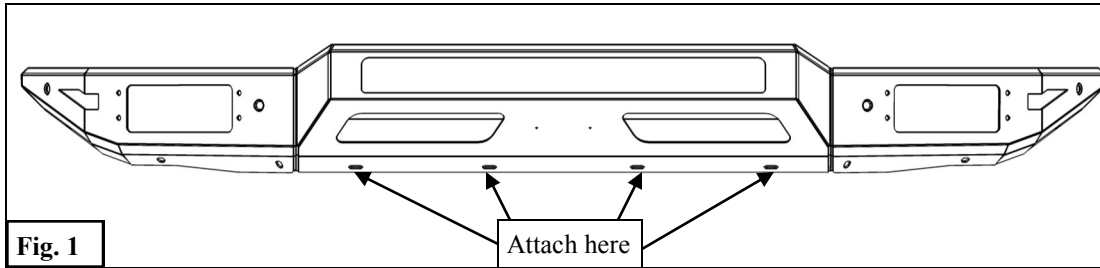
WESTIN Westin Automotive Products, Inc.
320 W. Covina Blvd
San Dimas, Ca. 91773

Thank you for choosing Westin products
for additional installation assistance please call
Customer Service (800) 793-7846
www.westinautomotive.com

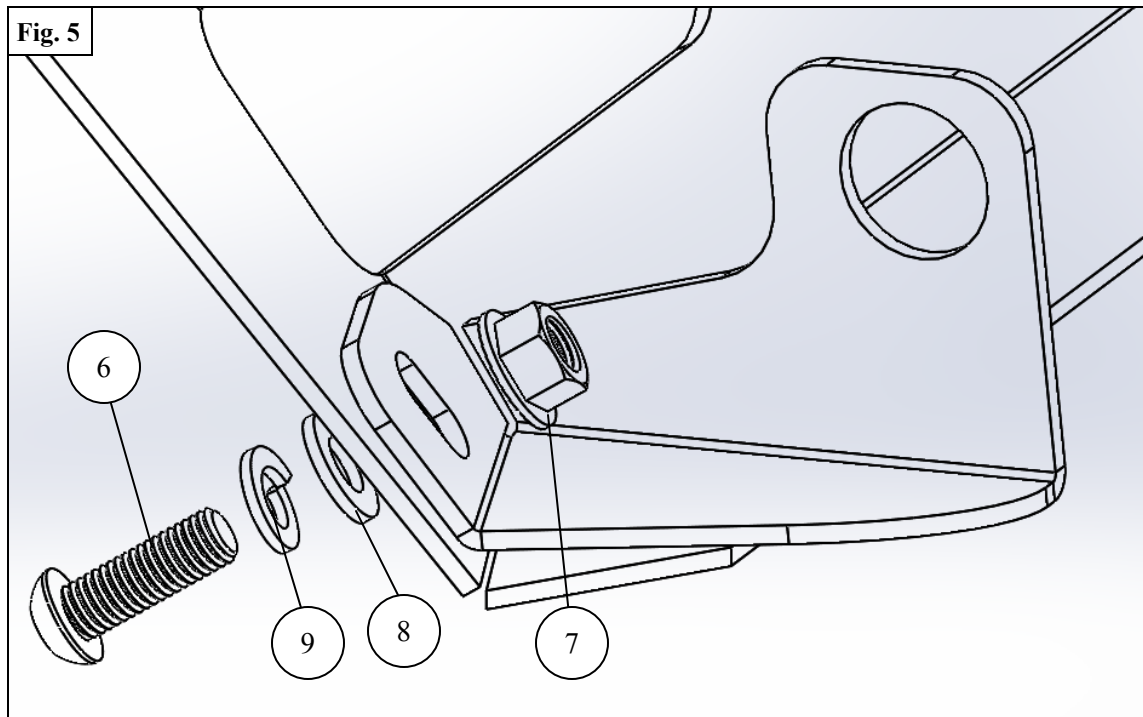
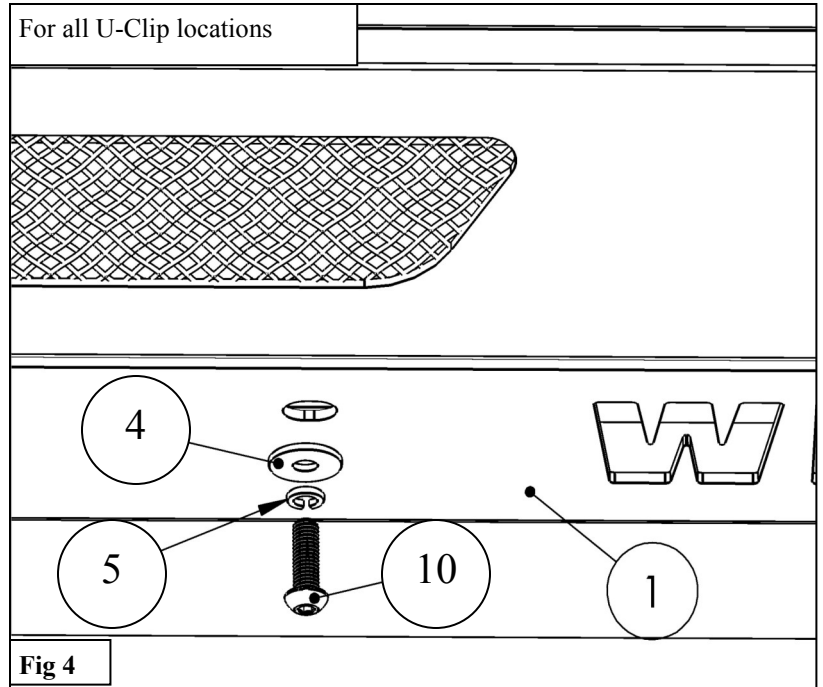
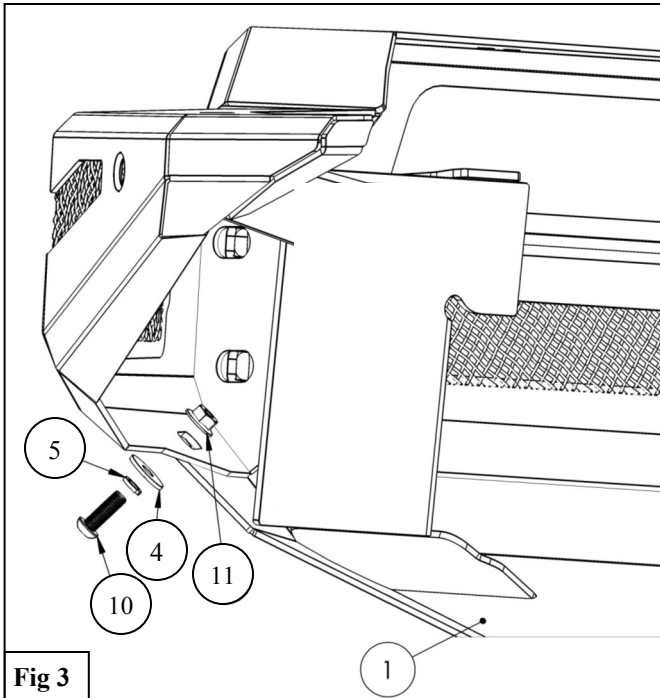
PROCEDURE

1. Remove contents from box, verify if all parts listed are present and free from damage.
Carefully read and understand all instructions before attempting installation.
Failure to identify damage before installation could lead to a rejection of any claim.

2. Attach the supplied M8 U-Clips (15) to the bumper. See **Figure 1**.
3. Use the factory tow hook hardware to attach the skid plate mounting brackets. See **Figure 2**. *Note: If your vehicle does not have factory tow hooks, use the supplied M12 hardware.*



14. Install the Skid Plate to the bumper using the supplied M8 Hardware. See **Figure 3-4**.
15. Secure the Skid Plate to the Mounting Brackets using the supplied M10 Hardware. See **Figure 5**.
15. Align bumper as desired and tighten hardware as specified: M8 to 18 ft-lbs, M10 to 38 ft-lbs, M12 to 60 ft-lbs.



INSTALL COMPLETE



Lights and bumper sold separately.

CARE INSTRUCTIONS

- REGULAR WAXING IS RECOMMENDED. DO NOT USE ANY TYPE OF POLISH OR WAX THAT MAY CONTAIN ABRASIVES.
- STAINLESS STEEL PRODUCTS CAN BE CLEANED WITH MILD SOAP AND WATER. STAINLESS STEEL POLISH SHOULD BE USED TO POLISH SMALL SCRATCHES.
- GLOSS BLACK FINISHES SHOULD BE CLEANED WITH MILD SOAP AND WATER.

WESTIN Westin Automotive Products, Inc.
320 W. Covina Blvd
San Dimas, Ca. 91773

Thank you for choosing Westin products
for additional installation assistance please call
Customer Service (800) 793-7846
www.westinautomotive.com



WARNING



Failure to follow these instructions could lead to death, personal injury, and / or property damage.

Failure to follow these instructions could lead to death, personal injury, and / or property damage.

FASTENERS:

All Westin supplied fasteners must be utilized and installed in accordance with the installation instructions and apply torque to the specifications as defined. **DOUBLE CHECK ALL FASTENERS BEFORE INITIAL USE, AND PERIODICALLY IN THE FUTURE TO ENSURE PROPER FUNCTION AND SAFETY.**

DRILLING:

Most Westin products do not require drilling for installation. If drilling is defined as required, use caution when drilling a vehicle. **FAILURE TO REVIEW AN AREA TO BE DRILLED MAY RESULT IN PERSONAL INJURY AND/OR INJURY TO OTHERS AS WELL AS VEHICLE DAMAGE.**

EYE PROTECTION:

ALWAYS WEAR SAFETY GLASSES OR GOGGLES DURING THE INSTALLATION PROCESS TO AVOID PERSONAL INJURY.

MAXIMUM TOWING/CARRYING CAPACITY: (if applicable)

The Westin Receiver Hitches will have a visible tow rating label affixed directly on the product. User should never exceed the vehicle manufacturers maximum tow and weight rating regardless of the capacity of the hitch. **FAILURE TO FOLLOW THESE GUIDELINES WILL VOID THE WESTIN WARRANTY AND MAY RESULT IN PERSONAL INJURY AND/OR INJURY TO OTHERS AS WELL AS VEHICLE DAMAGE.**

FOR CALIFORNIA RESIDENTS ONLY-PROP 65 WARNING:

Some products may contain chemicals such as DEHP, which can cause cancer, birth defects or other reproductive harm. For more info go to www.p65warnings.ca.gov



Westin Automotive Products, Inc.
320 W. Covina Blvd
San Dimas, Ca. 91773