

# HEAVY DUTY BUMPER INSTALLATION

## 2017- FORD SUPERDUTY (W/WO Sensors)

# AL-RBM01FDN-KC

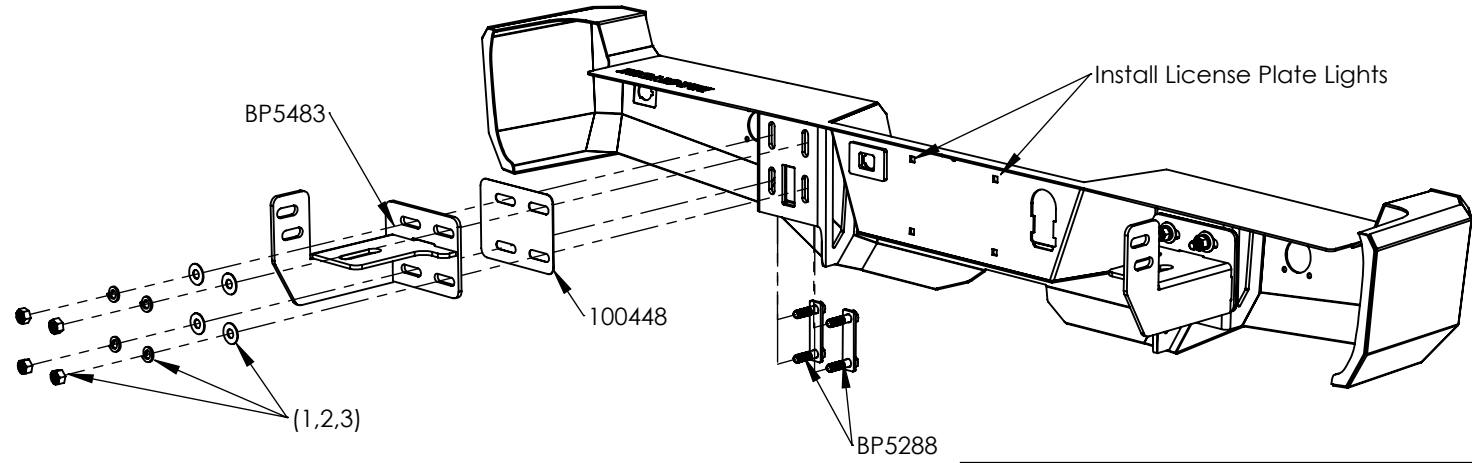
7/13/20

### Hardware Kit Includes:

- (1) 8 – Hex Head Nuts (M12-1.75) Grade 8
- (2) 8 – Lock Washers (M12)
- (3) 8 – Flat Washers (M12)
- (4) 8 – Plastic Push Nuts (M12)
- (5) 4 – Plastic License Plate Nuts

### Components List:

- (1) 1 – Heavy Duty Bumper
- (2) 2 – Outside Brackets (BP5483)
- (3) 4 – T-Bolts (BP5288)
- (4) 2 – Universal LED License Plate Lights
- (5) 2 – Inside/Outside Bracket Isolator (100448)



### Step-by-Step



ATTN: STATE OF CALIFORNIA CONSUMERS  
WARNING: CANCER AND REPRODUCTIVE HARM  
-WWW.P65WARNINGS.CA.GOV

LOOSE FIT ALL COMPONENTS.  
DO NOT TIGHTEN UNTIL ALL  
COMPONENTS ARE INSTALLED  
AND ADJUSTED

1. Open hood and disconnect negative battery terminal.
2. Unplug main sensor pigtail, license plate lights and trailer hitch plug underneath the rear driver side corner of the bed. Remove spare tire access lock, trailer wiring plug, backup sensor harness (if equipped) and license plate.
3. Remove four bolts (2 on the passenger side and 2 on the driver side) holding the factory bumper to the frame brackets.
4. Carefully remove the factory bumper from the truck. Once the bumper is removed, carefully remove the sensor wiring harness, sensors and sensor bezels.
5. Unbolt and remove the factory bumper brackets from the frame, save the factory bolts and nut plates to use when installing the Magnum bumper brackets.
6. Re-using the factory bolts and nut plates, install the BP5483 bumper brackets to the frame of the truck. Do not fully tighten the brackets until the bumper is attached and adjusted.
7. Using the provided square plastic push nuts, install the BP5288 t-bolts into the Alumilite bumper with the push nuts so they do not fall out.
8. If equipped, remove the backup sensors and harness from the factory bumper and reinstall in the Alumilite bumper. Backup lights can be installed into the Alumilite bumper now as well.
9. With assistance, lift the Alumilite bumper and align the t-bolts with the slots in the BP5483 frame brackets and finger tighten hardware. Be sure to place the bracket isolator (100448) between the bumper and mounting brackets to isolate steel and aluminum parts. Be careful not to pinch any wires when installing the bumper.
10. Adjust the Alumilite bumper on the truck, checking for clearance on all sides and when the tailgate is opened. Once satisfied, tighten all hardware; brackets to frame and bumper to brackets.
11. Install the spare tire access lock and trailer hitch wiring plug (it may be necessary to pry out the metal tabs on the hitch wiring plug once it's mounted in the bumper to keep it secured in the Alumilite bumper). Install sensor bezels and sensors into the Alumilite bumper, route the sensor wiring harness through the bumper and plug in sensors. Re-connect trailer hitch plug and sensors to the truck. Splice the LED license plate lights into the factory license plate lights, route the wires through the license plate mounting holes before splicing. Attach the license plate with license plate lights. Wire backup lights if equipped.
12. Reconnect negative battery terminal and verify license plate light and sensor function. Enjoy.