



1-877-287-8634

INSTALLATION INSTRUCTIONS

IMPORTANT NOTICE: Be sure to inspect and test fit product before having it coated or painted. Ranch Hand will not be responsible for the cost of the coating if any problems with fit or finish are not noted and addressed beforehand.

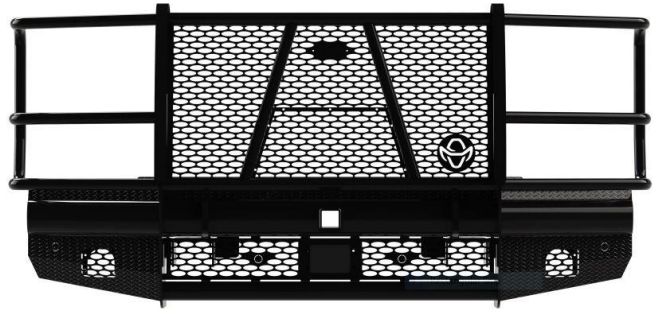
2023-up FORD SD F-250/F-350 LEGEND FRONT BUMPERS

PART # FBF231BLR / BTF231BLR

Warning: If your vehicle has adaptive cruise, please ensure that your adaptive cruise is working correctly once the Ranch Hand bumper is installed. Adaptive cruise may need to be cleaned or adjusted to ensure it functions properly. See your owner's manual for care of the adaptive cruise.

TOOLS REQUIRED

- Ratchet and extension
- 7/16", 9/16" & 3/4" sockets and/or wrenches
- 8, 11, 15 & 18mm sockets and/or wrenches
- 5/32" Allen wrench
- T-25 Torx
- Flat and/or Phillips screwdriver
- Tape Measure
- Pry tool
- Zip-ties



1. Unplug the main wiring harness located on the driver side frame.
2. Unplug the fog light wires.
3. Remove the side bumper bracket bolts(15mm). Two on each side.
4. Remove the plastic cover from around the tow hooks.
5. If an Adaptive Cruise Control Module is present (located on the driver side) it will need to be unplugged and removed. **Note: It will be installed later.*
6. Remove the factory bumper by removing the eight 18mm bolts. Four on each side. **Note: Pull the bumper away from the truck slowly. There will be a couple push clips that will need to be removed. Also, a clip for the engine block plug.*
7. Remove the tow hooks. There are four 18mm bolts holding each tow hook.
8. **Note: Before installing the mounting plates, make sure the top of the frame rails and the bottom sides of the mounting plates are free of splatter.* Slide the tow hook through the opening and mount the mounting plate over the frame. Use the tow hook bolt to install back to the frame. Use four 1/2" x 1 3/4" bolt, facing towards the inside of the frame, to mount the mounting plate to the inside of the frame. **TOW HOOKS MUST BE REINSTALLED!**

----- WARNING -----

Special care should be exercised in the handling, storage and installation of Ranch Hand equipment. The actual weight of each piece of equipment will vary depending on style and model. The weight of the equipment is sufficient in volume to warrant special care, assistance and in some instances, the use of mechanical equipment during the transfer and installation of the equipment. Do not assume a position directly under the equipment during installation. Be sure the equipment has been connected and stabilized during installation to prevent falling or shifting of positions.

Periodically check tightness of bolts to make sure they are tight, and unlikely to fail.

Rev. 2023



1-877-287-8634

INSTALLATION INSTRUCTIONS

IMPORTANT NOTICE: Be sure to inspect and test fit product before having it coated or painted. Ranch Hand will not be responsible for the cost of the coating if any problems with fit or finish are not noted and addressed beforehand.



9. On trucks that have the extra towing package cooler, you will need to flatten or cut off the two tabs that hook under the frame rail. *See photo below*



----- **WARNING** -----

Special care should be exercised in the handling, storage and installation of Ranch Hand equipment. The actual weight of each piece of equipment will vary depending on style and model. The weight of the equipment is sufficient in volume to warrant special care, assistance and in some instances, the use of mechanical equipment during the transfer and installation of the equipment. Do not assume a position directly under the equipment during installation. Be sure the equipment has been connected and stabilized during installation to prevent falling or shifting of positions. Periodically check tightness of bolts to make sure they are tight, and unlikely to fail.
Rev. 2023

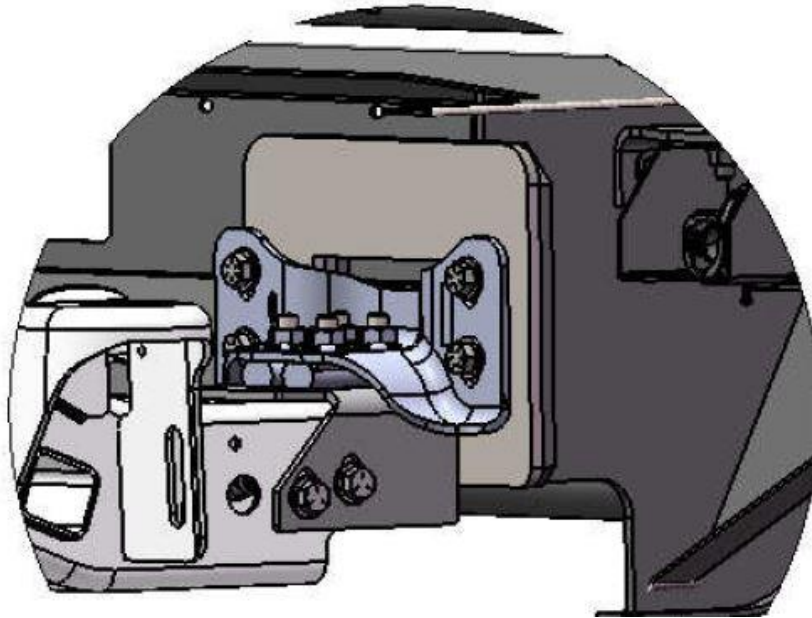


1-877-287-8634

INSTALLATION INSTRUCTIONS

IMPORTANT NOTICE: Be sure to inspect and test fit product before having it coated or painted. Ranch Hand will not be responsible for the cost of the coating if any problems with fit or finish are not noted and addressed beforehand.

10. Make sure the holes of the tow hook bracket and the holes of the mounting plate line up.
11. Mount the front bumper replacement to the mounting plates by using the ½” x 2” bolts.



12. On models that have sensors, remove the “knock-out” holes and add the rubber grommets.
13. Remove the fog lights from the factory bumper (four 8mm bolts). Remove the fog lights out of the factory brackets.
14. Mount the fog light brackets to the light brackets using 3/8” hardware. *See drawing.* Install the fog lights into the light brackets using black ¼” hardware. Mount the assemblies to the front bumper using 3/8” hardware.
15. On models with Adaptive Cruise Control, install the module to the ACC bracket provided. *See drawing.* Install the black plastic and module/bracket to the center four holes. Use the ¼” black bolts. The plastic should be on the backside of the insert then ACC bracket. Use ¼” keps nuts to secure.
16. Mount the license plate to the two small “S” shaped brackets. You can mount the license plate in the center on models without adaptive cruise. Models with adaptive cruise, mount to the lower part of the bottom grill insert out of the way of the adaptive cruise module.

----- WARNING -----

Special care should be exercised in the handling, storage and installation of Ranch Hand equipment.

The actual weight of each piece of equipment will vary depending on style and model. The weight of the equipment is sufficient in volume to warrant special care, assistance and in some instances, the use of mechanical equipment during the transfer and installation of the equipment.

Do not assume a position directly under the equipment during installation. Be sure the equipment has been connected and stabilized during installation to prevent falling or shifting of positions.

Periodically check tightness of bolts to make sure they are tight, and unlikely to fail.

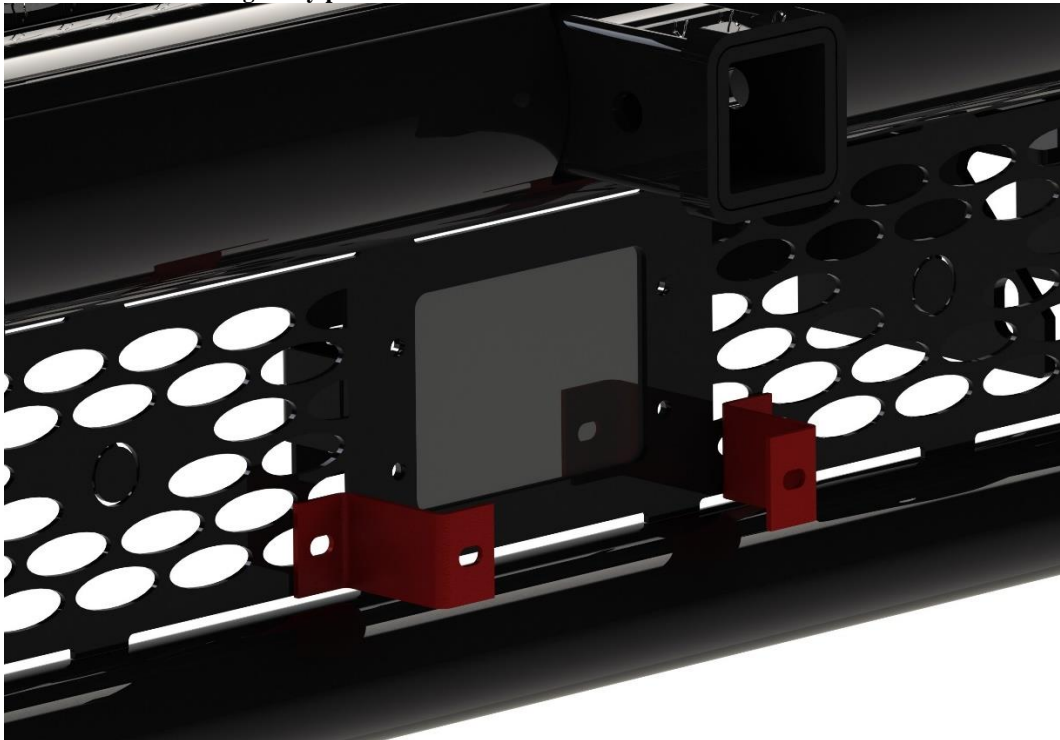
Rev. 2023



1-877-287-8634

INSTALLATION INSTRUCTIONS

IMPORTANT NOTICE: Be sure to inspect and test fit product before having it coated or painted. Ranch Hand will not be responsible for the cost of the coating if any problems with fit or finish are not noted and addressed beforehand.



17. On models without camera in the grille, install small insert using black 1/4" bolts and nuts.

MAKE SURE ALL NUTS AND BOLTS ARE TIGHT!

----- **WARNING** -----

Special care should be exercised in the handling, storage and installation of Ranch Hand equipment. The actual weight of each piece of equipment will vary depending on style and model. The weight of the equipment is sufficient in volume to warrant special care, assistance and in some instances, the use of mechanical equipment during the transfer and installation of the equipment. Do not assume a position directly under the equipment during installation. Be sure the equipment has been connected and stabilized during installation to prevent falling or shifting of positions. Periodically check tightness of bolts to make sure they are tight, and unlikely to fail.

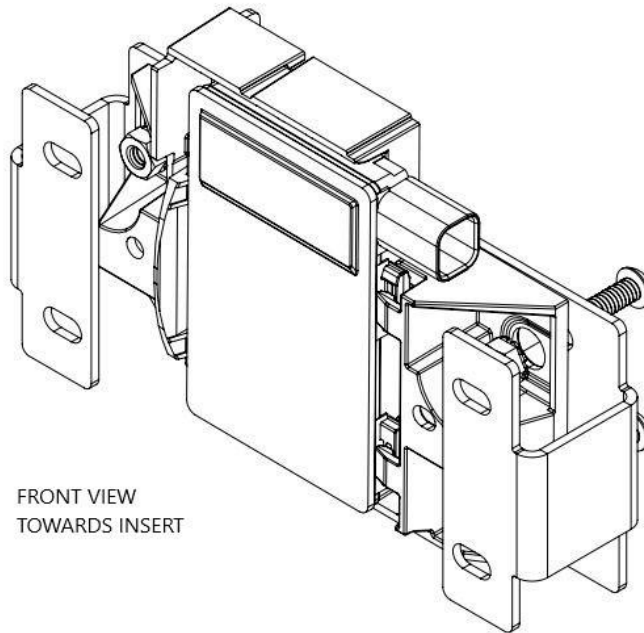
Rev. 2023



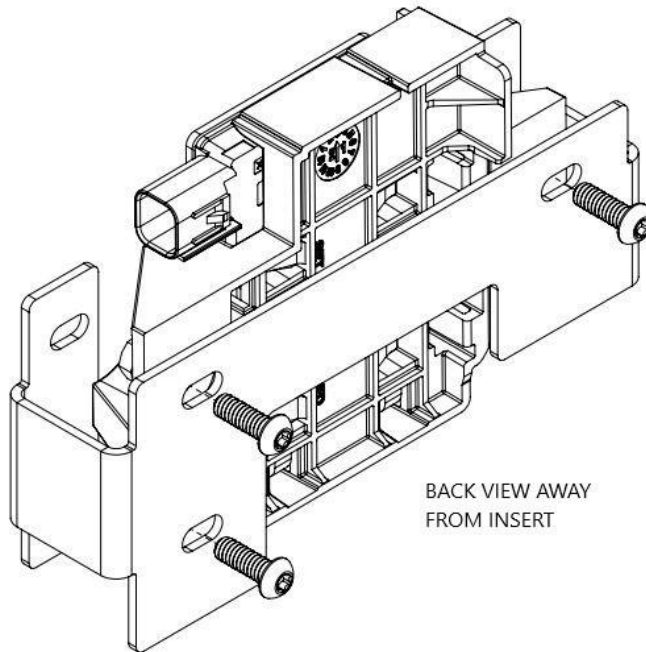
1-877-287-8634

INSTALLATION INSTRUCTIONS

IMPORTANT NOTICE: Be sure to inspect and test fit product before having it coated or painted. Ranch Hand will not be responsible for the cost of the coating if any problems with fit or finish are not noted and addressed beforehand.



FRONT VIEW
TOWARDS INSERT



BACK VIEW AWAY
FROM INSERT

----- WARNING -----

Special care should be exercised in the handling, storage and installation of Ranch Hand equipment. The actual weight of each piece of equipment will vary depending on style and model. The weight of the equipment is sufficient in volume to warrant special care, assistance and in some instances, the use of mechanical equipment during the transfer and installation of the equipment. Do not assume a position directly under the equipment during installation. Be sure the equipment has been connected and stabilized during installation to prevent falling or shifting of positions. Periodically check tightness of bolts to make sure they are tight, and unlikely to fail.

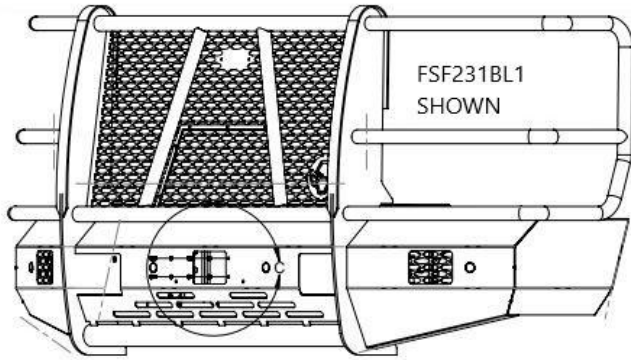
Rev. 2023



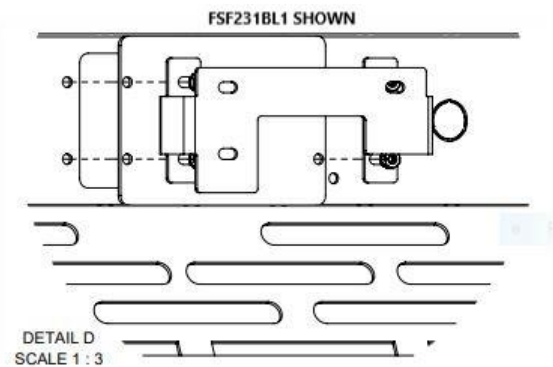
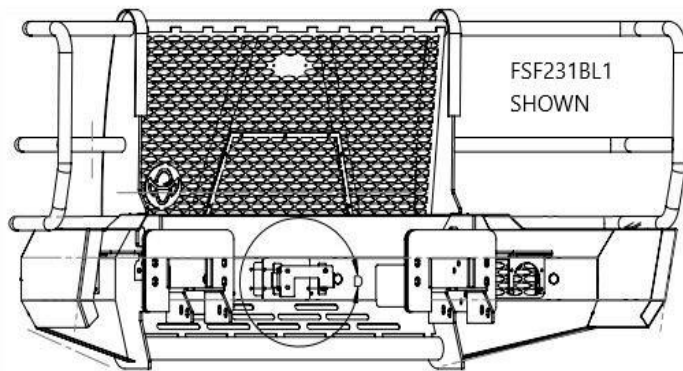
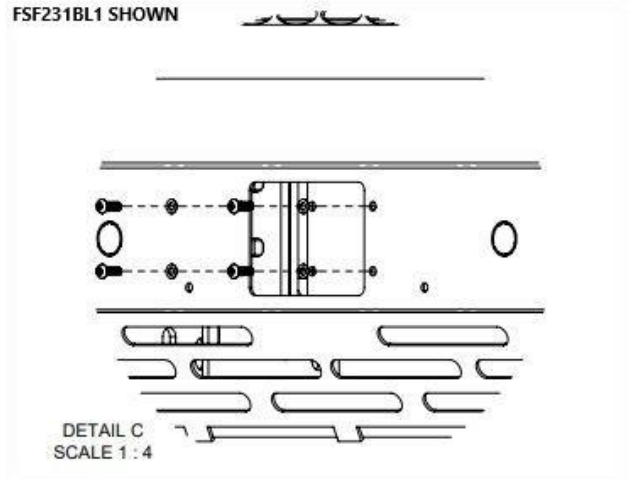
1-877-287-8634

INSTALLATION INSTRUCTIONS

IMPORTANT NOTICE: Be sure to inspect and test fit product before having it coated or painted. Ranch Hand will not be responsible for the cost of the coating if any problems with fit or finish are not noted and addressed beforehand.



FSF231BL1 SHOWN



----- WARNING -----

Special care should be exercised in the handling, storage and installation of Ranch Hand equipment. The actual weight of each piece of equipment will vary depending on style and model. The weight of the equipment is sufficient in volume to warrant special care, assistance and in some instances, the use of mechanical equipment during the transfer and installation of the equipment. Do not assume a position directly under the equipment during installation. Be sure the equipment has been connected and stabilized during installation to prevent falling or shifting of positions. Periodically check tightness of bolts to make sure they are tight, and unlikely to fail.

Rev. 2023