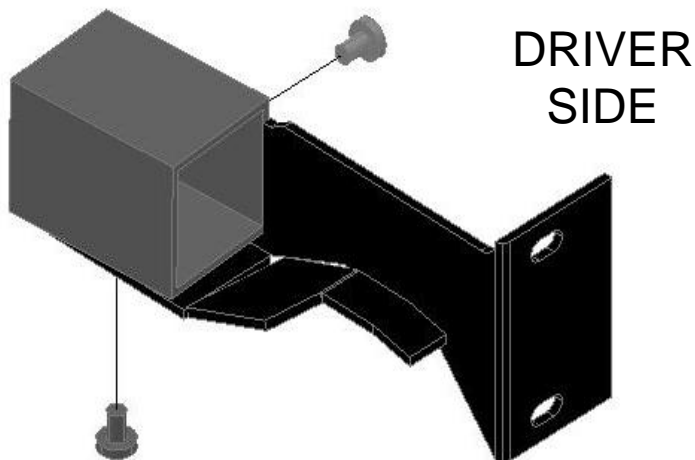
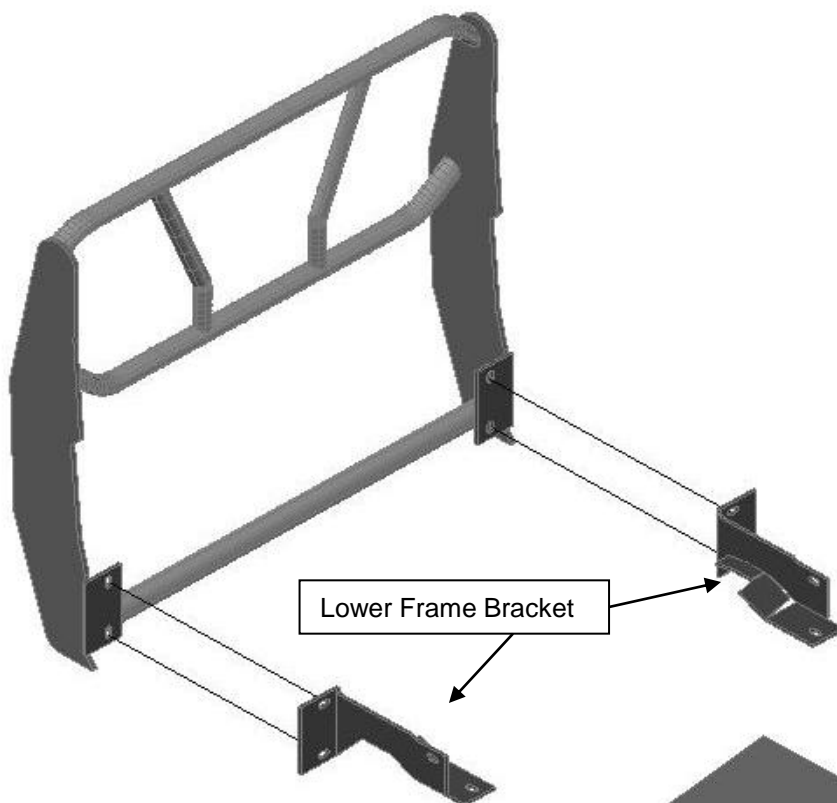


2015 Chevrolet 2500HD-3500HD  
 GG Part # 200-21-5006 (Sensors)  
 Part # 200-21-5007 (No Sensors)



Bolt Bag Contents:	
Qty	Description
8	1/2" X 1 3/4" Bolts
16	1/2" Flat Washers
8	1/2" Lock Washers
8	1/2" Hex Nuts
2	Lower Frame Brkts
42	Total Pieces



**Step 1:** Remove Tow Hooks if truck has them. Insert Lower Frame bracket through tow hook opening and cradle the frame on bottom and along outside. Re-install tow hook and tow hook bolts. PUSH BRACKET BACK TOWARD VEHICLE AS FAR AS IT CAN GO FOR ADDITIONAL SUPPORT.

**Step 2: NON-TOW HOOK MODELS:** You will have to CUT an access hole through the lower bumper valence in order to install Lower frame bracket.

**Step 3:** Install Lower Frame Support bracket by inserting through valence hole and cradle the frame on bottom and along outside. Use the 1/2" bolts provided to re-install and PUSH BRACKET BACK TOWARD VEHICLE BEFORE TIGHTENING FOR ADDITIONAL SUPPORT.

**Step 5:** Install Grille Guard feet to the lower frame brackets using the provided ( 1/2") bolts.

**Step 6:** Check alignment of Grille Guard to truck before tightening bolts on the lower brackets.