



1-877-287-8634

INSTALLATION INSTRUCTIONS

IMPORTANT NOTICE: Be sure to inspect and test fit product before having it coated or painted. Ranch Hand will not be responsible for the cost of the coating if any problems with fit or finish are not noted and addressed beforehand.

2023-up FORD SD F-250/F-350 SUMMIT FRONT BUMPERS PART # FSF231BL1 / BSF231BL1

Warning: If your vehicle has adaptive cruise, please ensure that your adaptive cruise is working correctly once the Ranch Hand bumper is installed. Adaptive cruise may need to be cleaned or adjusted to ensure it functions properly. See your owner's manual for care of the adaptive cruise.

TOOLS REQUIRED

- Ratchet and extension
- 7/16", 9/16" & 3/4" sockets and/or wrenches
- 8, 11, 15 & 18mm sockets and/or wrenches
- 5/32" Allen wrench
- T-25 Torx
- Flat and/or Phillips screwdriver
- Tape Measure
- Pry tool
- Zip-ties



1. Unplug the main wiring harness located on the driver side frame.
2. Unplug the fog light wires.
3. Remove the side bumper bracket bolts(15mm). Two on each side.
4. Remove the plastic cover from around the tow hooks.
5. If an Adaptive Cruise Control Module is present (located on the driver side) it will need to be unplugged and removed. **Note: It will be installed later.*
6. Remove the factory bumper by removing the eight 18mm bolts. Four on each side. **Note: Pull the bumper away from the truck slowly. There will be a couple push clips that will need to be removed. Also, a clip for the engine block plug.*
7. Remove the tow hooks. There are four 18mm bolts holding each tow hook.
8. **Note: Before installing the mounting plates, make sure the top of the frame rails and the bottom sides of the mounting plates are free of splatter.* Slide the tow hook through the opening and mount the mounting plate over the frame. Use the tow hook bolt to install back to the frame. Use four 1/2" x 1 3/4" bolt, facing towards the inside of the frame, to mount the mounting plate to the inside of the frame. **TOW HOOKS MUST BE REINSTALLED!**

----- WARNING -----

Special care should be exercised in the handling, storage and installation of Ranch Hand equipment.

The actual weight of each piece of equipment will vary depending on style and model. The weight of the equipment is sufficient in volume to warrant special care, assistance and in some instances, the use of mechanical equipment during the transfer and installation of the equipment.

Do not assume a position directly under the equipment during installation. Be sure the equipment has been connected and stabilized during installation to prevent falling or shifting of positions.

Periodically check tightness of bolts to make sure they are tight, and unlikely to fail.

Rev. 2023



1-877-287-8634

INSTALLATION INSTRUCTIONS

IMPORTANT NOTICE: Be sure to inspect and test fit product before having it coated or painted. Ranch Hand will not be responsible for the cost of the coating if any problems with fit or finish are not noted and addressed beforehand.



9. On trucks that have the extra towing package cooler, you will need to flatten or cut off the two tabs that hook under the frame rail. *See photo below*



10. Make sure the holes of the tow hook bracket and the holes of the mounting plate line up.

----- **WARNING** -----

Special care should be exercised in the handling, storage and installation of Ranch Hand equipment. The actual weight of each piece of equipment will vary depending on style and model. The weight of the equipment is sufficient in volume to warrant special care, assistance and in some instances, the use of mechanical equipment during the transfer and installation of the equipment. Do not assume a position directly under the equipment during installation. Be sure the equipment has been connected and stabilized during installation to prevent falling or shifting of positions. Periodically check tightness of bolts to make sure they are tight, and unlikely to fail.
Rev. 2023

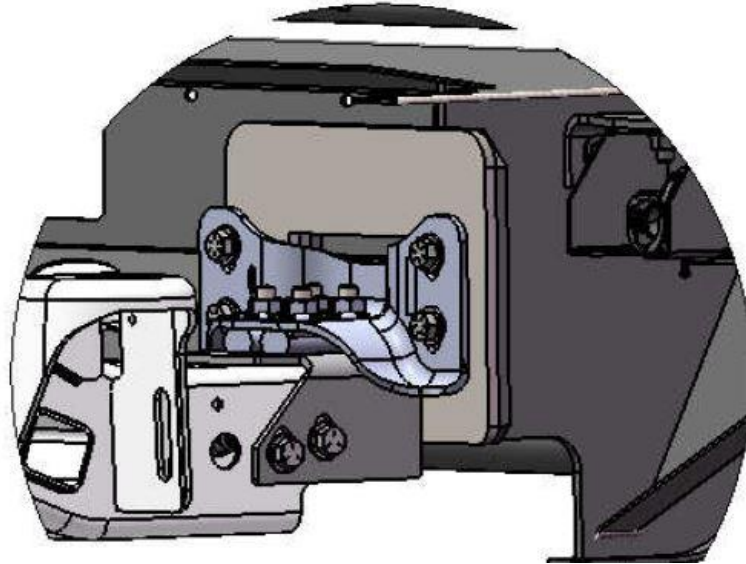


1-877-287-8634

INSTALLATION INSTRUCTIONS

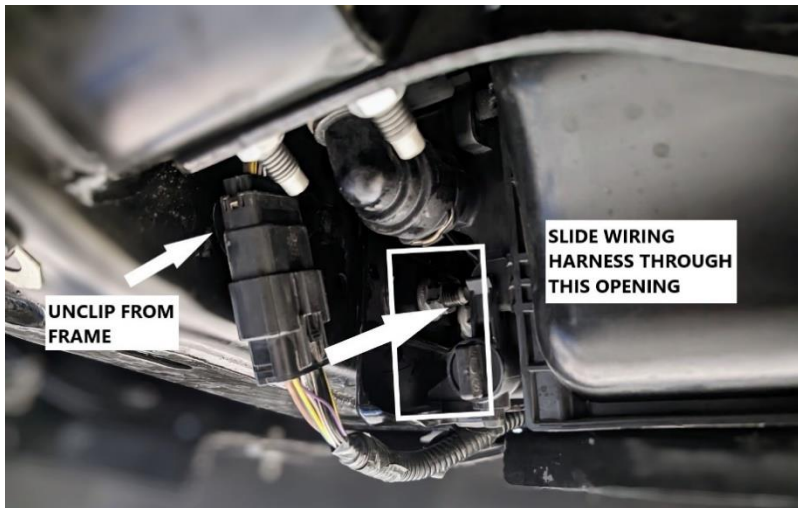
IMPORTANT NOTICE: Be sure to inspect and test fit product before having it coated or painted. Ranch Hand will not be responsible for the cost of the coating if any problems with fit or finish are not noted and addressed beforehand.

11. Mount the front bumper replacement to the mounting plates by using the ½” x 2” bolts.



12. On models that have sensors, remove the “knock-out” holes and add the rubber grommets.

**NOTE: You will need to use a sensor pigtail to extend the inside driver sensor wire. Also, you will need to unclip the main wiring harness from the frame.*



13. Remove the fog lights from the factory bumper (four 8mm bolts). Remove the fog lights out of the factory brackets.

14. Mount the fog light brackets to the light brackets using 3/8” hardware. *See drawing.* Install the fog lights into the light brackets using black ¼” hardware. Mount the assemblies to the front bumper using 3/8” hardware.

----- **WARNING** -----

Special care should be exercised in the handling, storage and installation of Ranch Hand equipment.

The actual weight of each piece of equipment will vary depending on style and model. The weight of the equipment is sufficient in volume to warrant special care, assistance and in some instances, the use of mechanical equipment during the transfer and installation of the equipment.

Do not assume a position directly under the equipment during installation. Be sure the equipment has been connected and stabilized during installation to prevent falling or shifting of positions.

Periodically check tightness of bolts to make sure they are tight, and unlikely to fail.

Rev. 2023



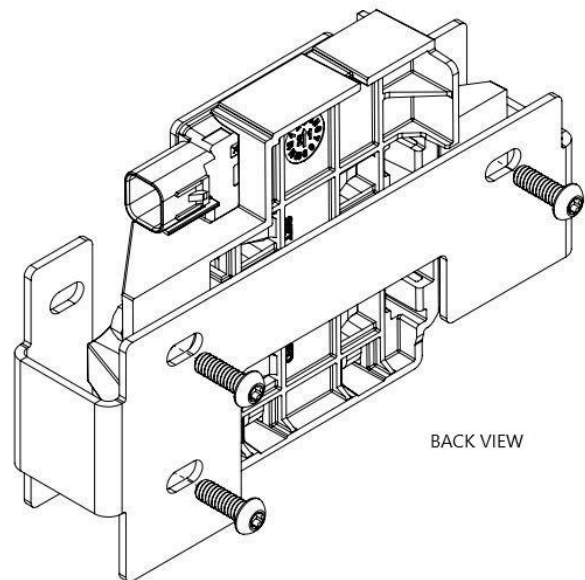
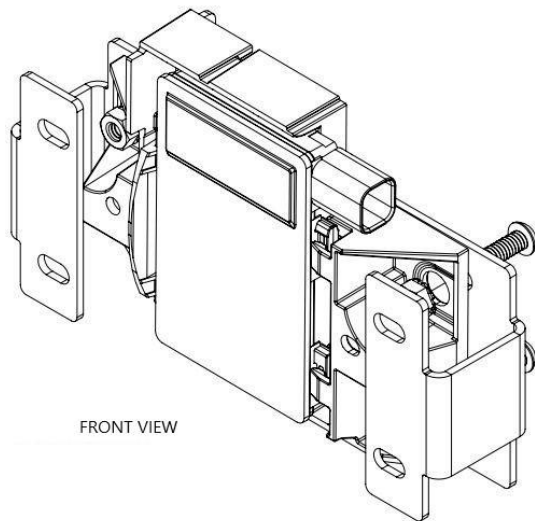
1-877-287-8634

INSTALLATION INSTRUCTIONS

IMPORTANT NOTICE: Be sure to inspect and test fit product before having it coated or painted. Ranch Hand will not be responsible for the cost of the coating if any problems with fit or finish are not noted and addressed beforehand.

15. On models with Adaptive Cruise Control, install the module to the ACC bracket provided. *See drawing.* Install the black plastic and module/bracket to the center four holes. Use the ¼” black bolt with a rubber washer to the outside of the diamond plate. The plastic should be on the backside of the diamond plate then ACC bracket. Use ¼” keps nuts to secure.
16. On models without camera in the grille, install small insert using black ¼” bolts and nuts.

MAKE SURE ALL NUTS AND BOLTS ARE TIGHT!



WARNING

Special care should be exercised in the handling, storage and installation of Ranch Hand equipment.

The actual weight of each piece of equipment will vary depending on style and model. The weight of the equipment is sufficient in volume to warrant special care, assistance and in some instances, the use of mechanical equipment during the transfer and installation of the equipment.

Do not assume a position directly under the equipment during installation. Be sure the equipment has been connected and stabilized during installation to prevent falling or shifting of positions.

Periodically check tightness of bolts to make sure they are tight, and unlikely to fail.

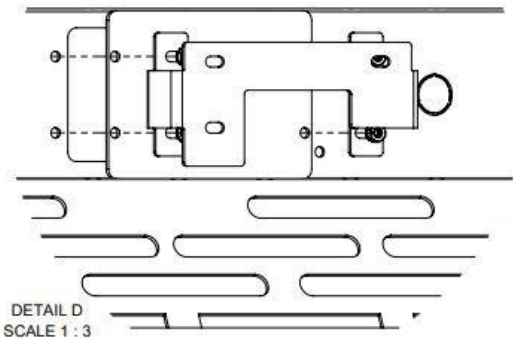
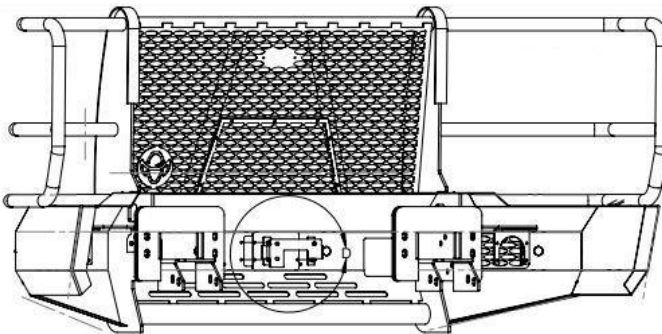
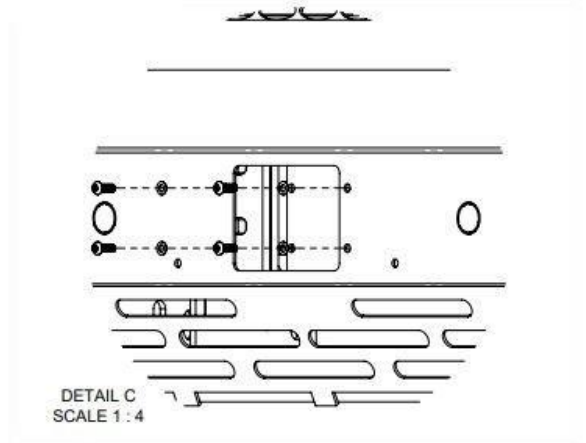
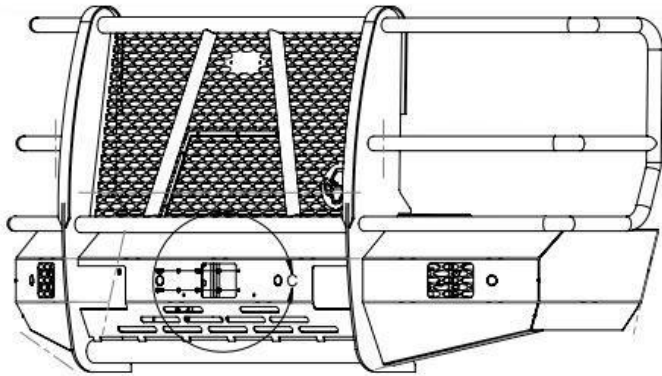
Rev. 2023



1-877-287-8634

INSTALLATION INSTRUCTIONS

IMPORTANT NOTICE: Be sure to inspect and test fit product before having it coated or painted. Ranch Hand will not be responsible for the cost of the coating if any problems with fit or finish are not noted and addressed beforehand.



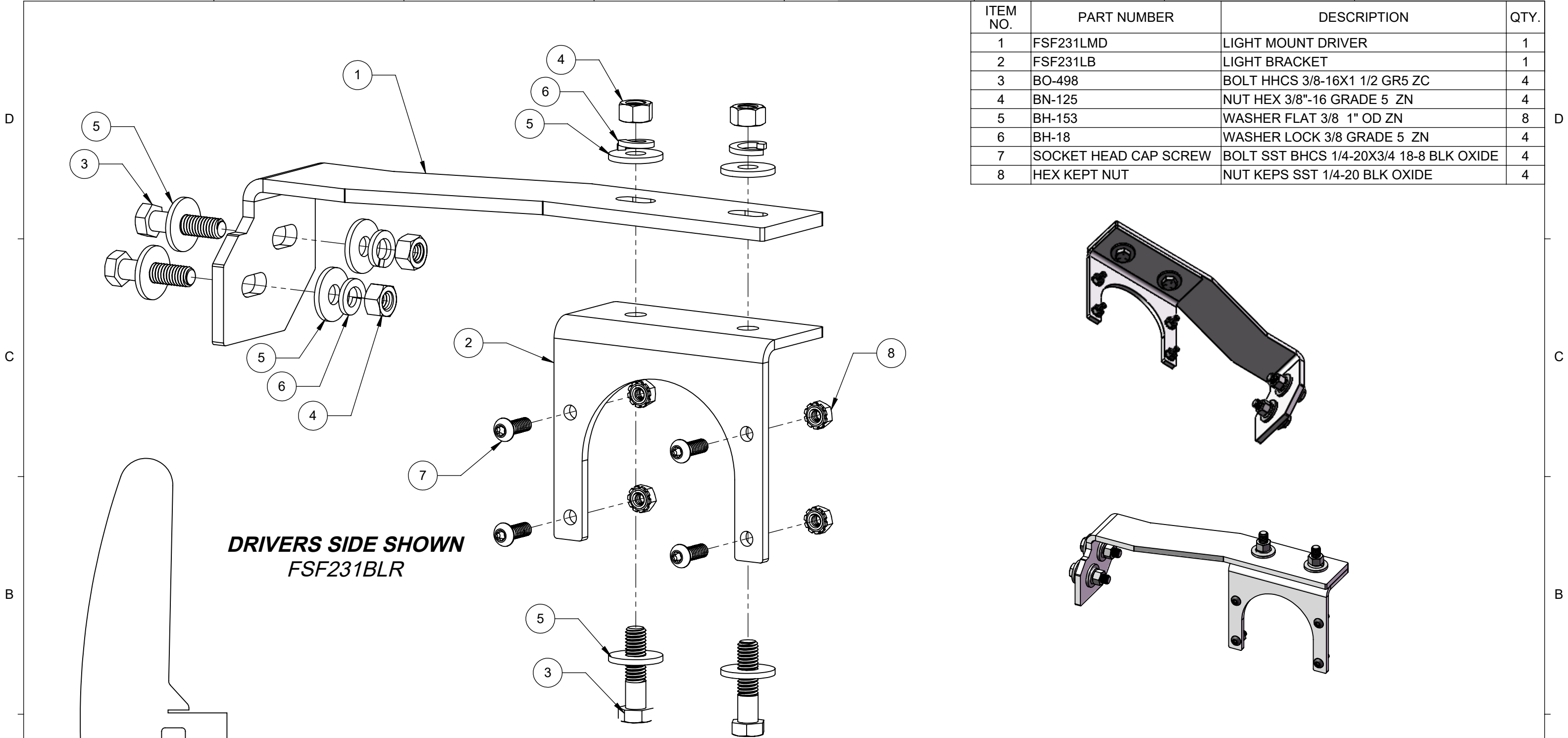
----- WARNING -----

Special care should be exercised in the handling, storage and installation of Ranch Hand equipment. The actual weight of each piece of equipment will vary depending on style and model. The weight of the equipment is sufficient in volume to warrant special care, assistance and in some instances, the use of mechanical equipment during the transfer and installation of the equipment. Do not assume a position directly under the equipment during installation. Be sure the equipment has been connected and stabilized during installation to prevent falling or shifting of positions. Periodically check tightness of bolts to make sure they are tight, and unlikely to fail.

Rev. 2023

8 7 6 5 4 3 2 1

ITEM NO.	PART NUMBER	DESCRIPTION	QTY.
1	FSF231LMD	LIGHT MOUNT DRIVER	1
2	FSF231LB	LIGHT BRACKET	1
3	BO-498	BOLT HHCS 3/8-16X1 1/2 GR5 ZC	4
4	BN-125	NUT HEX 3/8"-16 GRADE 5 ZN	4
5	BH-153	WASHER FLAT 3/8 1" OD ZN	8
6	BH-18	WASHER LOCK 3/8 GRADE 5 ZN	4
7	SOCKET HEAD CAP SCREW	BOLT SST BHCS 1/4-20X3/4 18-8 BLK OXIDE	4
8	HEX KEPT NUT	NUT KEPS SST 1/4-20 BLK OXIDE	4



DRIVERS SIDE SHOWN
FSF231BLR

NOTE: MOUNT IN THIS LOCATION FOR FSF231BLR

UNLESS OTHERWISE SPECIFIED:			NAME	DATE	<p>244 CR 355A RANCH HAND SHINER, TX 77984</p>
1. INTERPRET GEOMETRIC TOLERANCING PER ASME Y14.5M-1994			DRAWN	BJK	
2. INSTALL ALL HARDWARE PER MANUFACTURER SPECIFICATIONS		CHECKED	BJK	08/02/2023	
3. BREAK ALL SHARP CORNERS		ENG APPR.	BJK	08/02/2023	
4. ALL BENDS TO BE MINIMUM ALLOWABLE		TOLERANCES: ANGULAR BEND ±.25° ONE PLACE DECIMAL ±.06 TWO PLACE DECIMAL ±.03 THREE PLACE DECIMAL ±.010			TITLE FOG LIGHT BRACKET ASSEMBLY FSF231BLR
5. ALL DIMENSIONS IN INCHES					
PROPRIETARY AND CONFIDENTIAL <small>THIS DOCUMENT, TOGETHER WITH THE INFORMATION THEREON, IS THE PROPERTY OF RANCH HAND TRUCK ACCESSORIES AND IS FURNISHED ONLY FOR THE PURPOSE INDICATED. ANY AND ALL CONFIDENTIAL, PROPRIETARY, PATENT AND OTHER RIGHTS, IN SUBJECT MATTER IS BEING RETAINED BY RANCH HAND TRUCK ACCESSORIES, INCLUDING ANY EXCLUSIVE RIGHTS OF USE AND/OR MANUFACTURE AND/OR SALE. POSSESSION OF THIS MATERIAL DOES NOT CONVEY ANY PERMISSION TO REPRODUCE THIS MATERIAL, IN WHOLE OR IN PART, OR MANUFACTURE THE SUBJECT MATTER SHOWN THEREIN, OR USE THE CONFIDENTIAL OR PROPRIETARY INFORMATION THEREON, WITHOUT THE EXPRESS WRITTEN PERMISSION OF RANCH HAND TRUCK ACCESSORIES. SUCH PERMISSION TO BE GRANTED ONLY BY SPECIFIC AUTHORIZATION IN WRITING SIGNED BY AN OFFICER OR OTHER AUTHORIZED AGENT OF RANCH HAND TRUCK ACCESSORIES.</small>					
MATERIAL		SEE PART DATA			SIZE
WEIGHT (LBS.)		SURFACE AREA (SQ. IN.)			DWG. NO.
2.99					B
					FSF231FLBA
					REV
					A01
					SCALE 1:4
					DO NOT SCALE DRAWING
					SHEET 1 OF 1

8 7 6 5 4 3 2 1