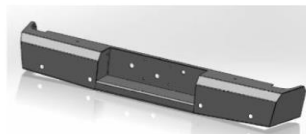




Replacement Rear Bumper

Part No. FX1004



Fits: **2007-2013**

Chevrolet Silverado / GMC Sierra 1500



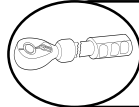
Incl. 2007 Classic Model
ASSISTANCE IS RECOMMENDED.



REMOVE CONTENTS FROM BOX. VERIFY ALL PARTS ARE PRESENT.



READ INSTRUCTIONS CAREFULLY BEFORE STARTING INSTALLATION.



DO NOT OVER TORQUE. STANDARD OPERATING LOAD FOR TIGHTEN BODY MOUNT NUTS & BOLTS VARIES FROM **45** TO **65** FOOT POUND.



60-180 min



Cutting Not Required



Drilling Not Required



support@trailfx.com



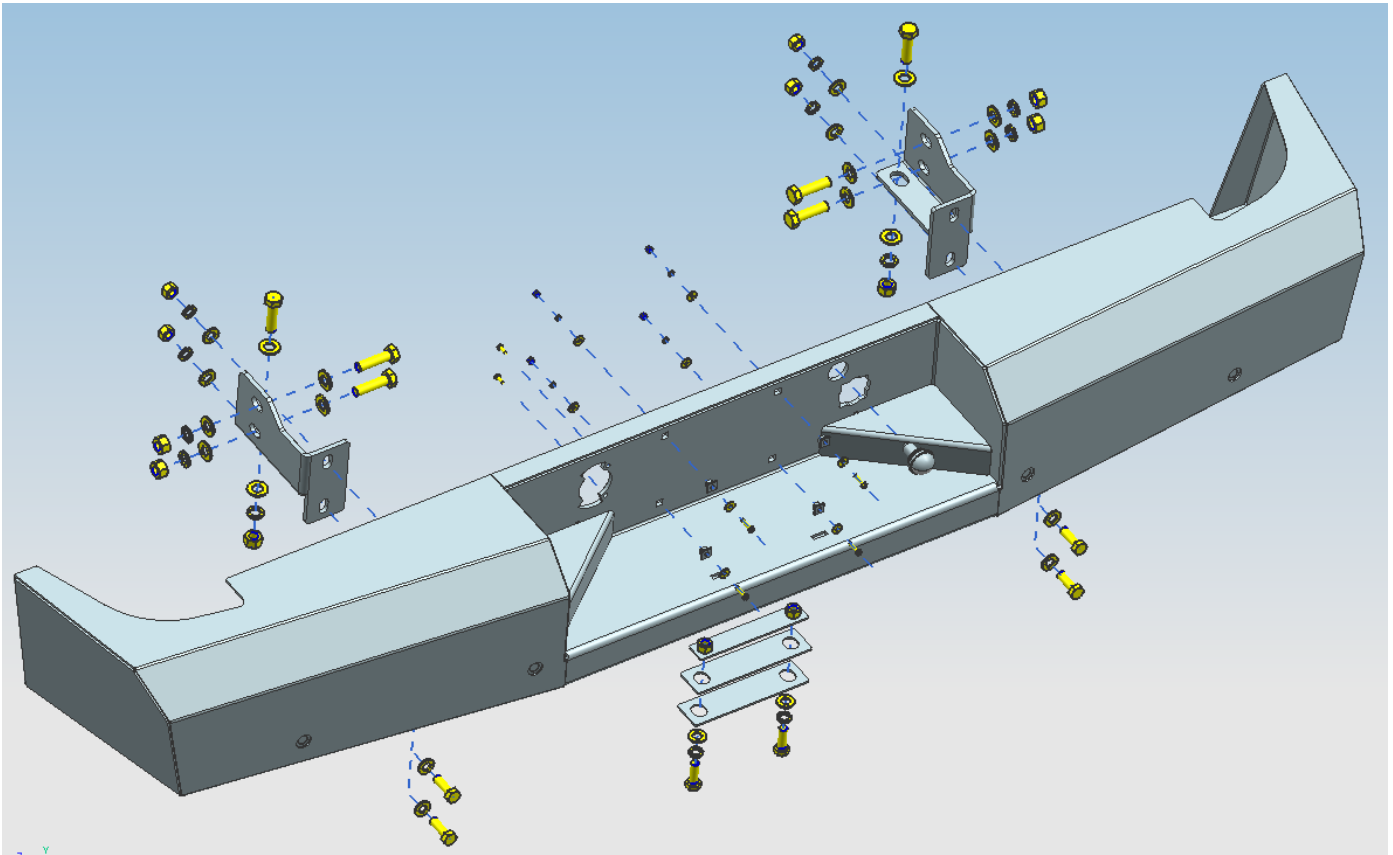
1 866 638 4870



POLISHED STAINLESS STEEL – LIMITED LIFETIME
POWDER COATED BLACK – 3 YEARS

PARTS LIST:

| Qty | Part Description | Qty | Part Description |
|-----|------------------------------|-----|---------------------------------------|
| 1 | Rrplcement Rear Bumper | 2 | Spacer |
| 1 | Driver/Left Mounting Bracket | 1 | Passenger/ Right Mounting Bracket |
| 4 | 5x20mm Phillips Screw | 8 | 4x10mm Button Head Allen Bolt |
| 4 | Plastic Plug | 6 | 12x35mm Hex Bolt |
| 8 | 5x15x1.2mm Flat Washers | 6 | 14x50mm Hex Bolt |
| 1 | 12 mm Nut Plate | 2 | cross recessed pan head tapping screw |
| 4 | 5mm Lock Washers | 10 | 12x24x2.5 mm Flat Washers |
| 1 | License Plate Light | 12 | 14x28x2.5mm Flat Washers |
| 4 | 5mm Hex Nut | 4 | Sensor Sealing Washer |
| 4 | 12mm Hex Nut | 6 | 12mm Lock Washers |
| 6 | 14mm Hex Nut | 6 | 14mm Lock Washers |
| 2 | Wiring | 1 | Allen Wrench |
| 4 | Rubber Sensor Plug | 4 | Foam Washer |
| 4 | Retaining Rings | | |



INSTALLATION PROCEDURE:

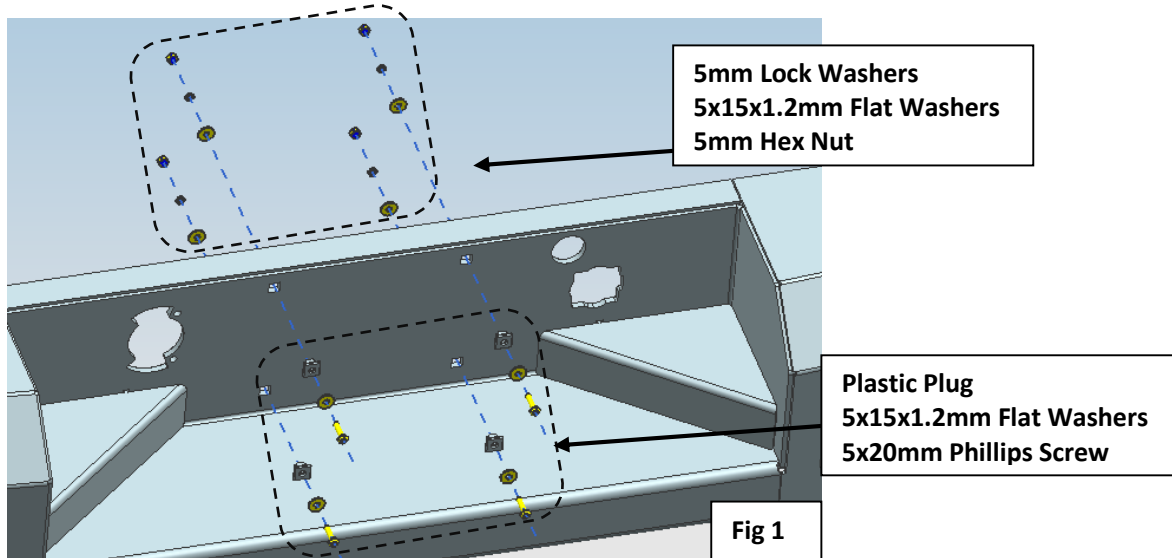
BUMPER IS HEAVY, ASSISTANCE IS HIGHLY RECOMMENDED TO AVOID POSSIBLE INJURY OR DAMAGE TO THE VEHICLE.

Vehicle Preparation

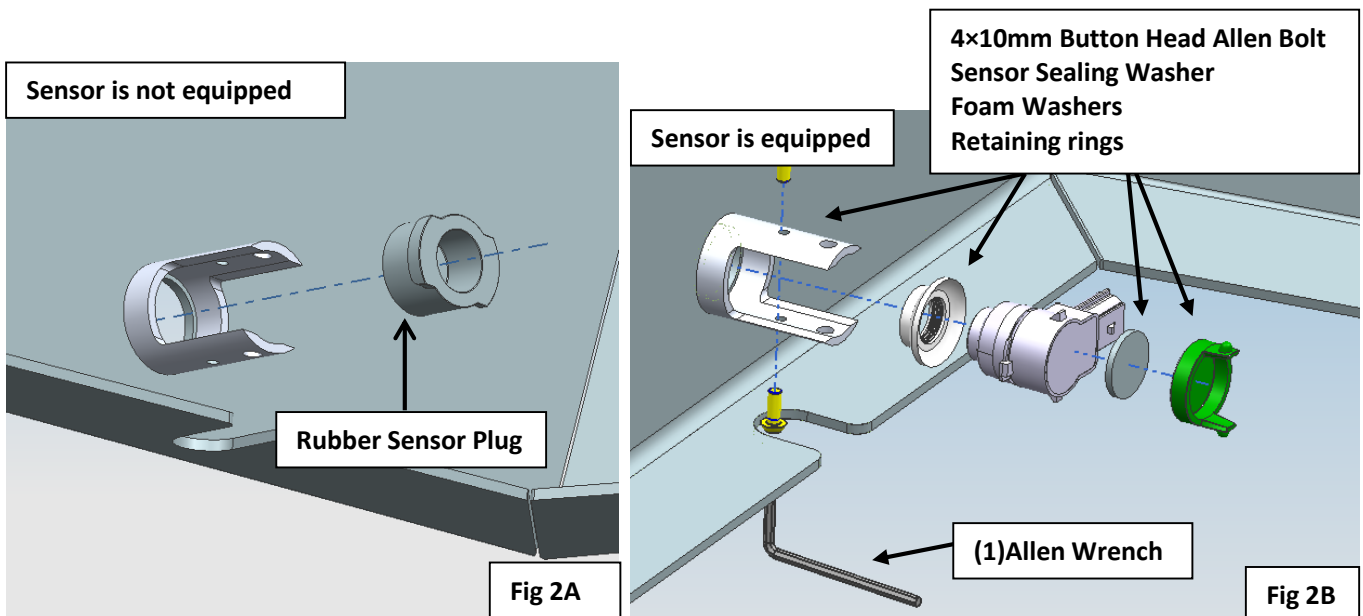
1. Remove license plate and OEM license plate lights. Disconnect trailer receptacle. If equipped unplug back-up sensor harness.
2. Remove the two fasteners connecting the hitch to the stock bumper located on either side of the receiver with an 18 mm socket.
3. Remove the fasteners connecting the bumper mounts to the frame. This requires removing one bolt from the bottom of the frame (22mm) and three bolts from the side of the frame (18mm and 15mm). Save hardware for reuse.
4. Remove OEM bumper by pulling it rearward away from the truck.
5. Remove OEM spare tire access cover and trailer plug from the OEM bumper. Set aside for reinstallation.

Bumper Installation

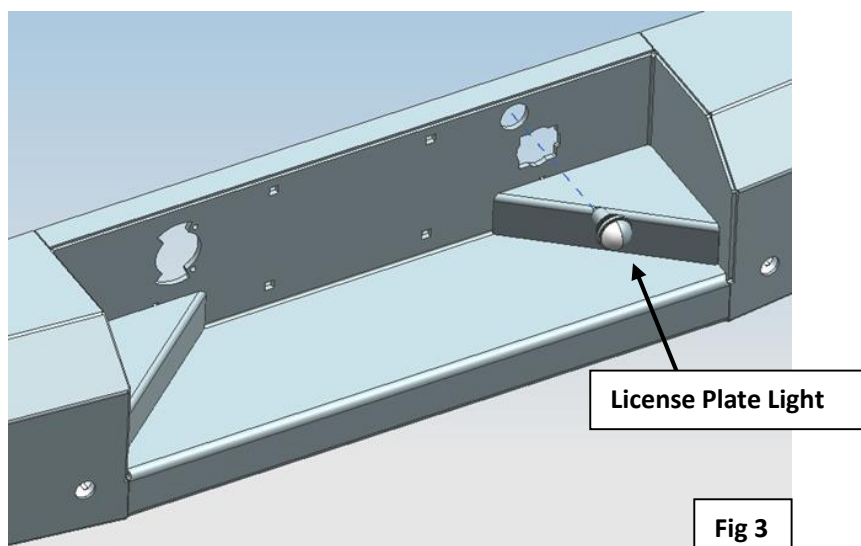
1. Attach the license plate to the Replacement Rear Bumper with the hardware (**Fig 1**).



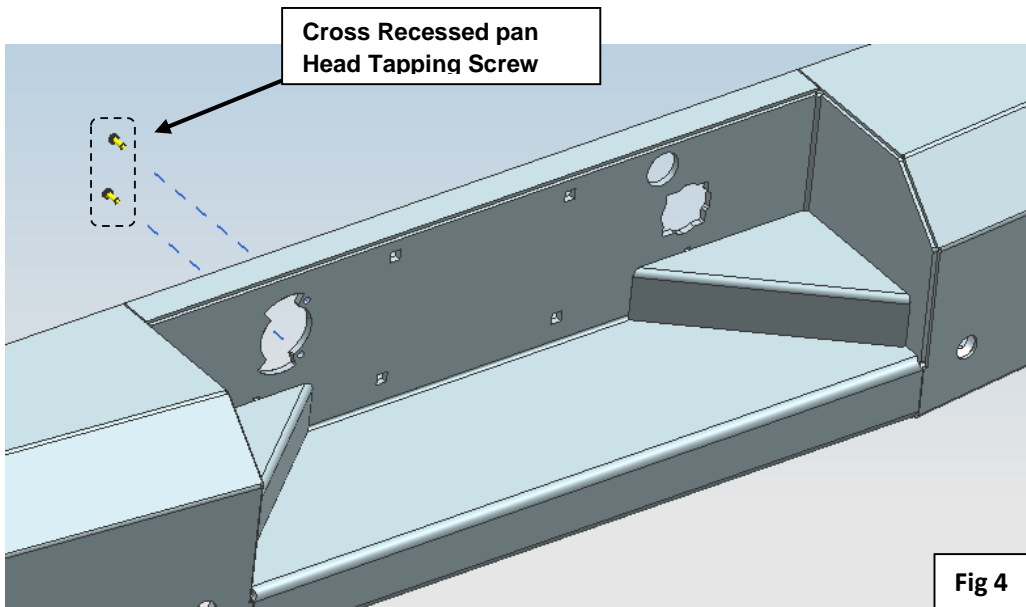
2. Install the Sensor Sleeves into sensor holes. If the sensor is not equipped, install the provided Rubber Sensor Plugs into the sleeves (**Fig 2A**). If the sensor is equipped, insert sensors from the back side, fasten each sensor with the hardware (**Fig 2B**).



3. Select the license plate light and push the light into the hole in the Bumper (**Fig 3**).



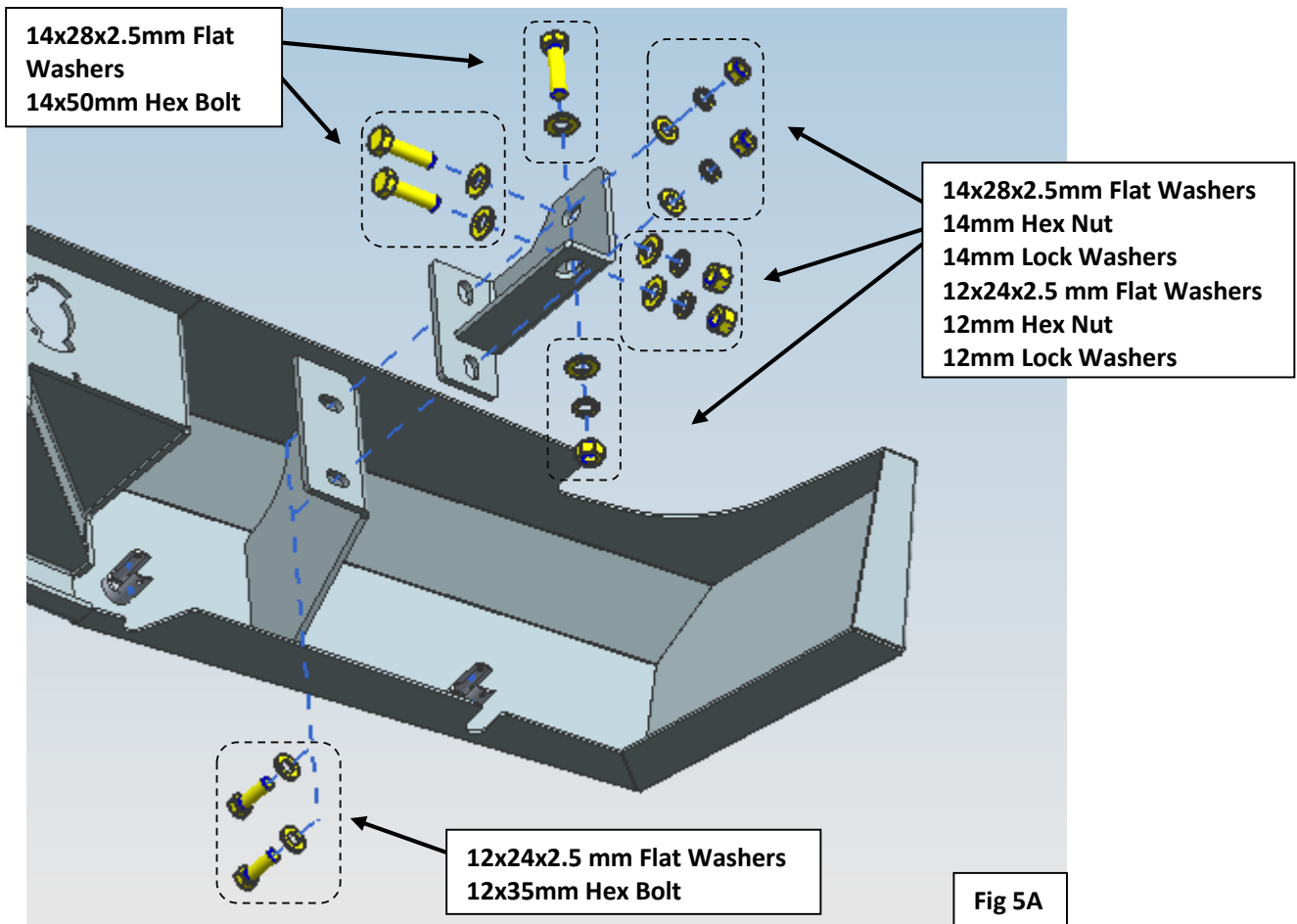
4. Install the sensor on the OEM tow hitch with the hardware (Fig 4).



5. Install the Bumper on the frame

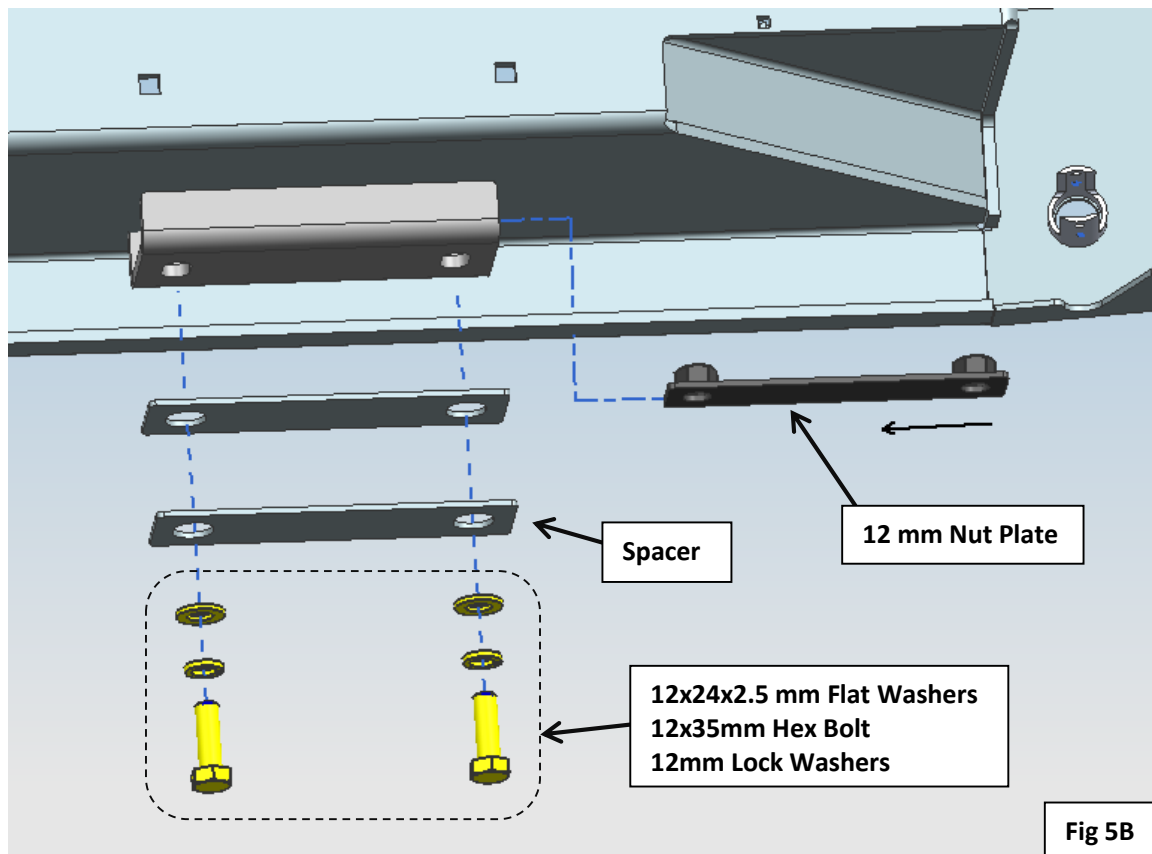
a. Model without OEM Trailer.

Fasten the mounting brackets to the bumpers with the hardware (Fig 5A).



b. Model with OEM Trailer.

According to the gap between the bumper and the tow hitch, select and fasten the bumper on the frame with the space (Fig 5B).



6. Installation is finished, pick up all tools.

PRODUCT CARE

- Periodically check the product to ensure all fasteners are tight and components are intact.
- Regular waxing is recommended to protect the finish of the product.
- **Use ONLY Non-Abrasive automotive wax.** Use of any soap, polish or wax that contains an abrasive is detrimental and can scratch the finish leading to corrosion.
- Aluminum polish may be used to polish small scratches and scuffs for **Stainless Steel finish.**
- Mild soap may be used to clean the product for both **Stainless Steel and Black finish.**

FAQ's**1. Hardware's are not of correct size.**

In GMC / Chevrolet truck model 2006 & up, customer needs to reuse the factory body bolts to install the bracket. If your vehicle is not GMC / Chevrolet 2006 & up, ensure that holes are not partially covered with any plastic grommet or rust? If it is, remove the plastic grommet & rust from the thread holes & re-try the installation.

2. Mounting Bracket are not getting Installed properly.

In some cases Illustration images shown in Installation manual may not be the exactly same as per actual vehicle images ,also if Driver / Passenger side mounting brackets are very identical in the design, suggest referring Parts Identification guide to avoid fitment issue.

3. Products are thumping / rattling after installation.

Ensure that all required mounting brackets / hardware's are installed & tighten correctly. Suggest using white lithium / regular grease between the metal to metal contact surfaces.

4. Side Bar is not aligning with vehicle / Step Pads are not aligning with vehicle doors.

Side bar may be interchanged or mounting brackets are not installed at the correct position in the vehicle. Refer Parts identification guide.

5. Missing / Excess Hardware.

Recheck hardware count as per the part list.

6. Product not installing properly.

Ensure make model year, cab length and bed size of your vehicle is listed in the application. All installation steps are followed correctly.

Check out these other TrailFX Products!!

www.TrailFX.com



SIDE BAR



HEADACHE RACKS



RUNNING BOARDS



ROCKER GUARDS

Keystone Automotive Operations Inc. (KAO) warrants this product to be free of defects in material and workmanship at the time of purchase by the original retail consumer. KAO disclaims any other warranties, express or implied, including the warranty of fitness for a particular purpose or an intended use. If the product is found to be defective, KAO may replace or repair the product at our option, when the product is returned prepaid, with proof of purchase. Alteration to, improper installation, or misuse of this product voids the warranty. KAO's liability is limited to repair or replacement of products found to be defective, and specifically excludes liability for any incidental or consequential loss or damage.