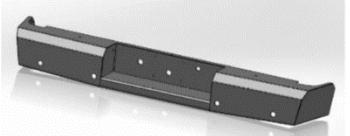




Replacement Rear Bumper

Part No. FX1006



Fits: 2003-2009

Dodge Ram 2500/3500 HD



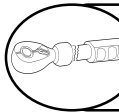
ASSISTANCE IS RECOMMENDED.



REMOVE CONTENTS FROM BOX. VERIFY ALL PARTS ARE PRESENT.



READ INSTRUCTIONS CAREFULLY BEFORE STARTING INSTALLATION.



DO NOT OVER TORQUE. STANDARD OPERATING LOAD FOR TIGHTEN BODY MOUNT NUTS & BOLTS VARIES FROM 45 TO 65 FOOT POUND.



60-180 min



Cutting Not Required



Drilling Not Required



support@trailfx.com



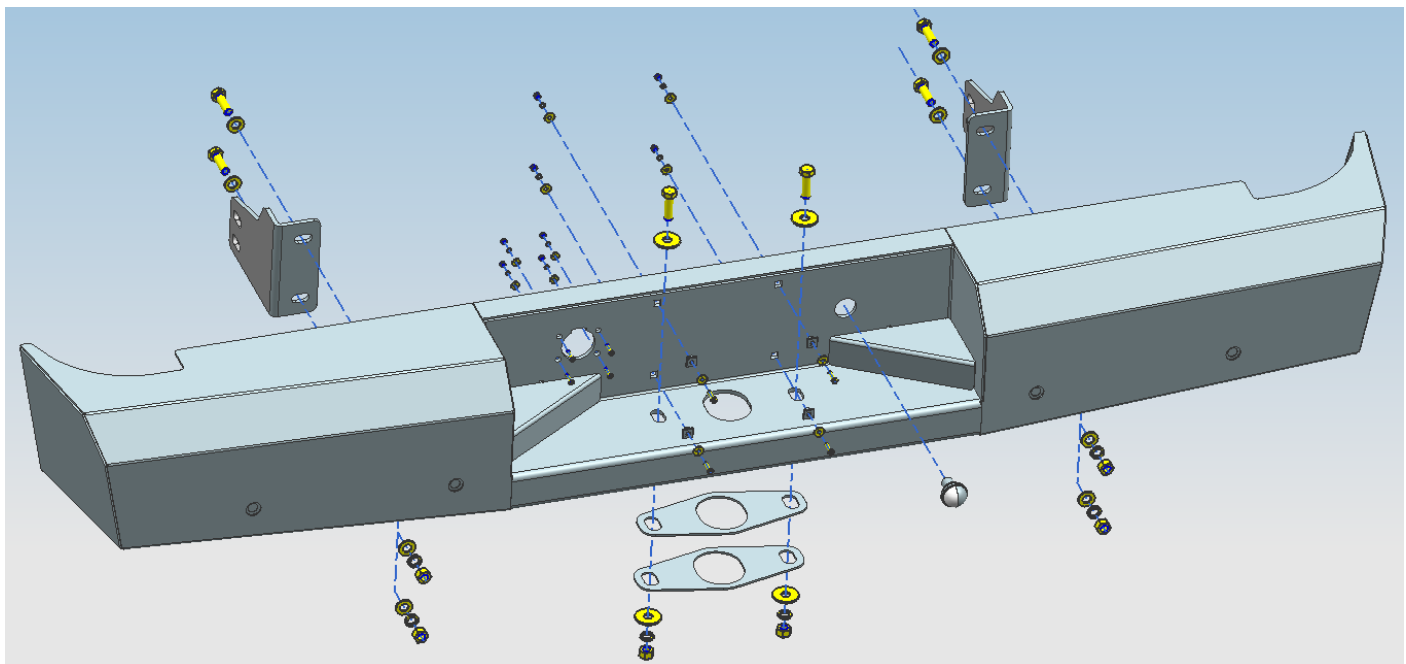
1 866 638 4870



WARRANTY POLISHED STAINLESS STEEL – LIMITED LIFETIME
POWDER COATED BLACK – 3 YEARS

PARTS LIST:

Qty	Part Description	Qty	Part Description
1	Replacement Rear Bumper	4	5x20mm Philips Screws
1	Driver/ Left Side Mounting Bracket	4	5mm Hex Nuts
1	Passenger/Right Mounting Bracket	4	4mm Hex Nuts
2	Spacers	4	4x20mm Button Head Allen Bolts
8	12x24x2.5mm Flat Washers	4	4mm Lock Washers
4	12x37x3mm Lock Washers	4	4x12x1.0mm Lock Washers
6	12mm Hex Nuts	8	4x10 Button Head Allen Bolts
6	12mm Lock Washers	1	Allen Wrench
6	12x40mm Hex Bolts	4	Rubber Sensor Plugs
4	Plastic Plug	1	License Plate Light
4	5mm Lock Washers	2	Wiring
8	5x15x1.2mm Lock Washers		

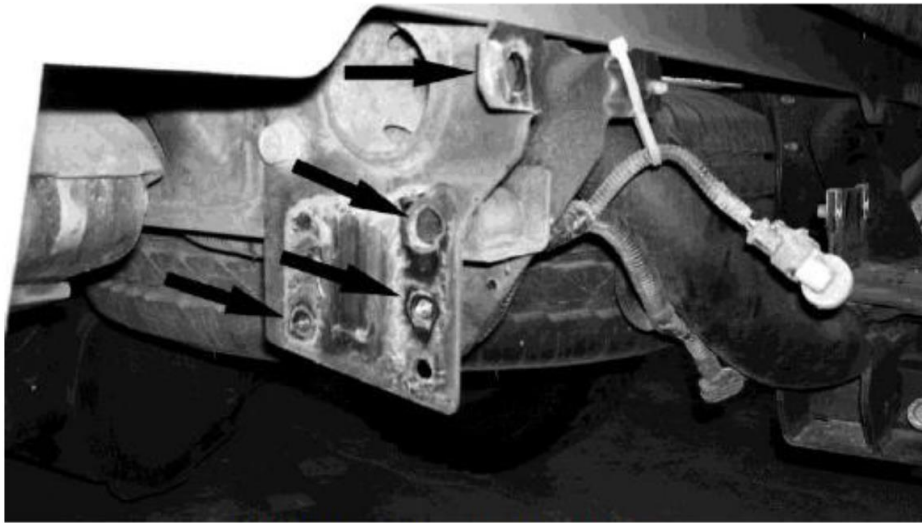


INSTALLATION PROCEDURE

BUMPER IS HEAVY, ASSISTANCE IS HIGHLY RECOMMENDED TO AVOID POSSIBLE INJURY OR DAMAGE TO THE VEHICLE.

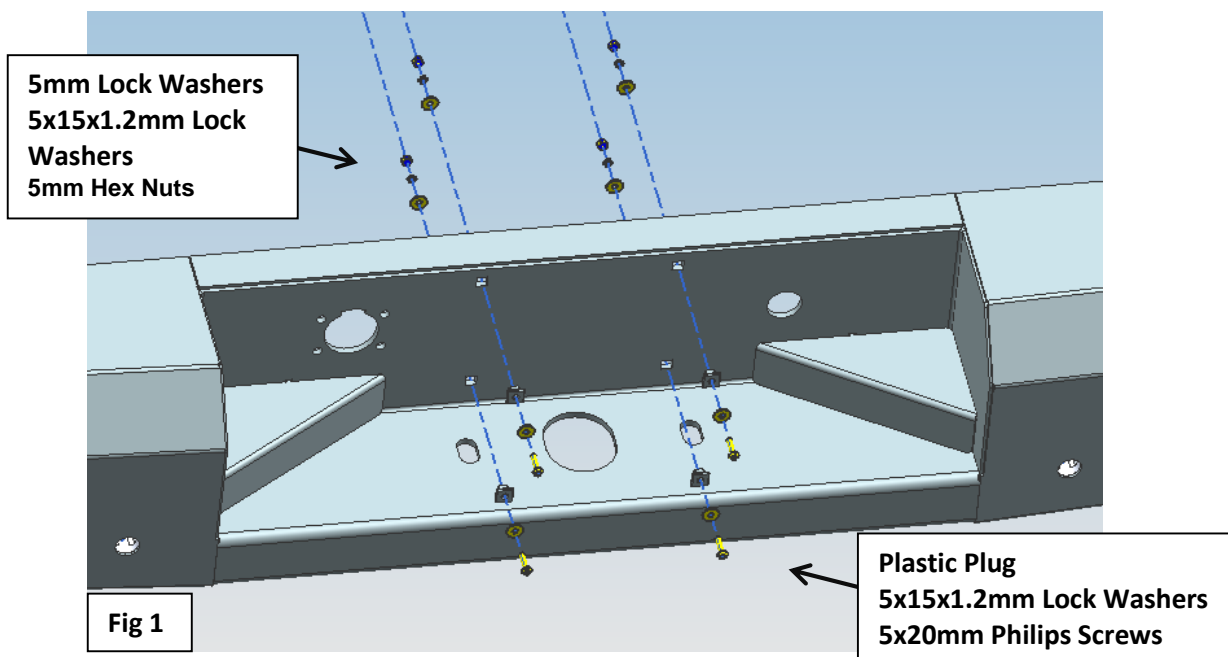
Vehicle Preparation

1. Remove license plate (to reveal two mounting bolts).
2. Remove the (4) Torx screws from the trailer plug, pull plug through bumper, slide red tab toward wires and remove trailer plug.
3. Remove license plate light plugs by sliding red tab toward wires and pressing down on tab.
4. Locate and remove (2) bolts above frame rails using 15mm socket.
5. Pull Christmas tree clips (holding wire harness) from each frame rail in order to clear tab nut.
6. Remove (8) stock fasteners from frame rails using 15mm and 21 mm sockets (4 on each side).

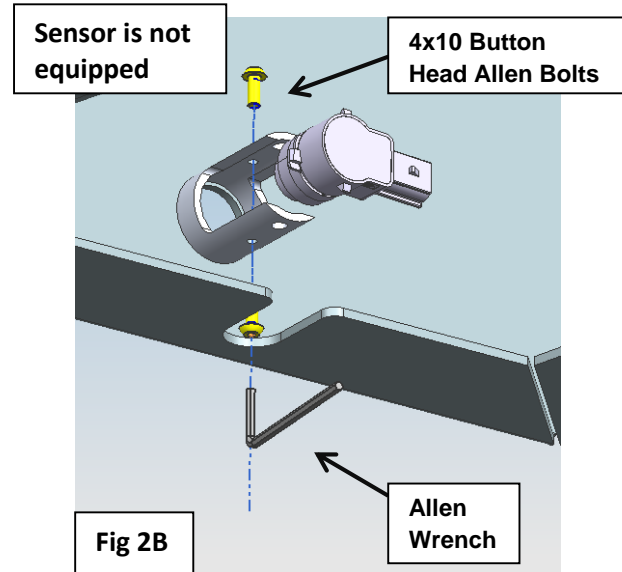
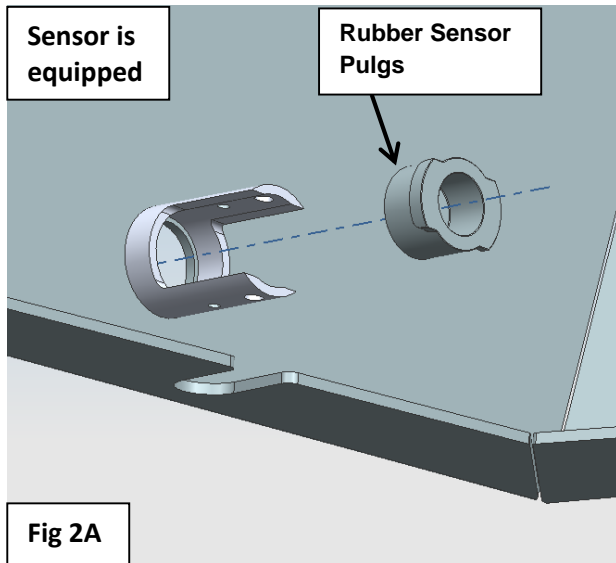


Bumper Installation

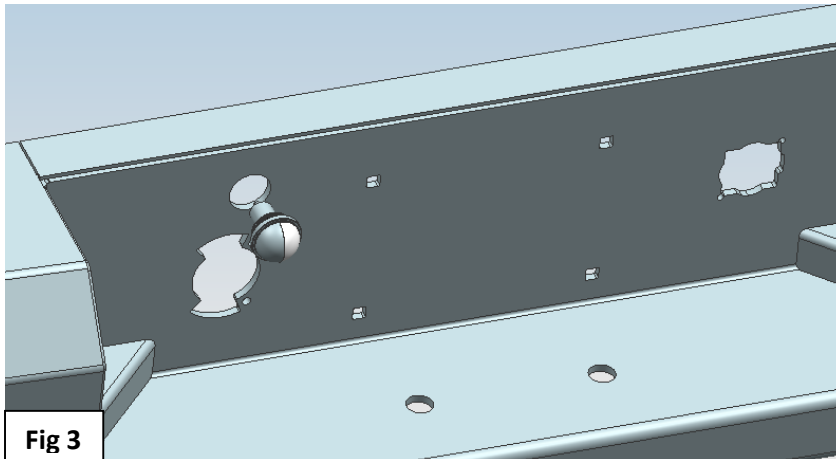
1. Fasten the license plate on the Replacement Rear Bumper with the hardware (**Fig 1**).



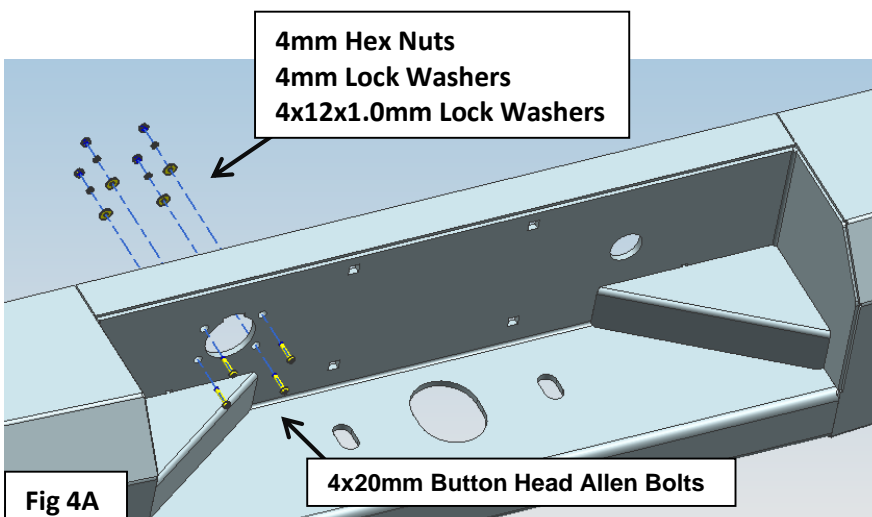
2. Install the sensor sleeves into the sensor hole. If the sensor is not equipped, install the provided plugs into the sleeves (**Fig 2A**). If the sensor is equipped, install the OEM sensor with the hardware (**Fig 2B**).



3. Fasten the license plate light, pay attention to the orientation of the light (**Fig 3**).



4. Install the socket of trailer with the hardware (**Fig 4A & 4B**).



5. Connect the Mounting Brackets with the frame, do not fasten the hardware tightly (Fig 5).

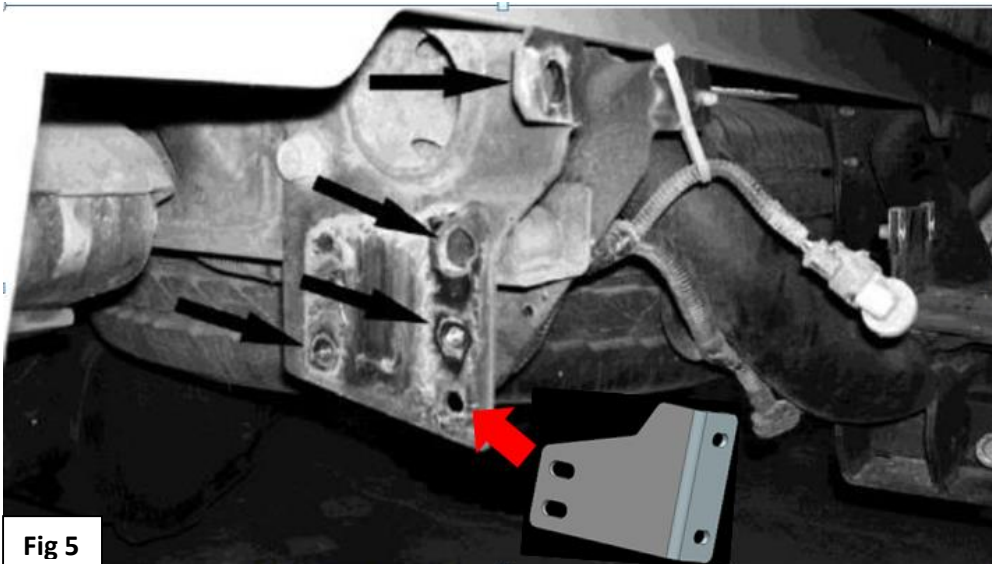


Fig 5

6. Connect the the brackets with the bumper, do not fasten the hardware tightly (Fig 6).

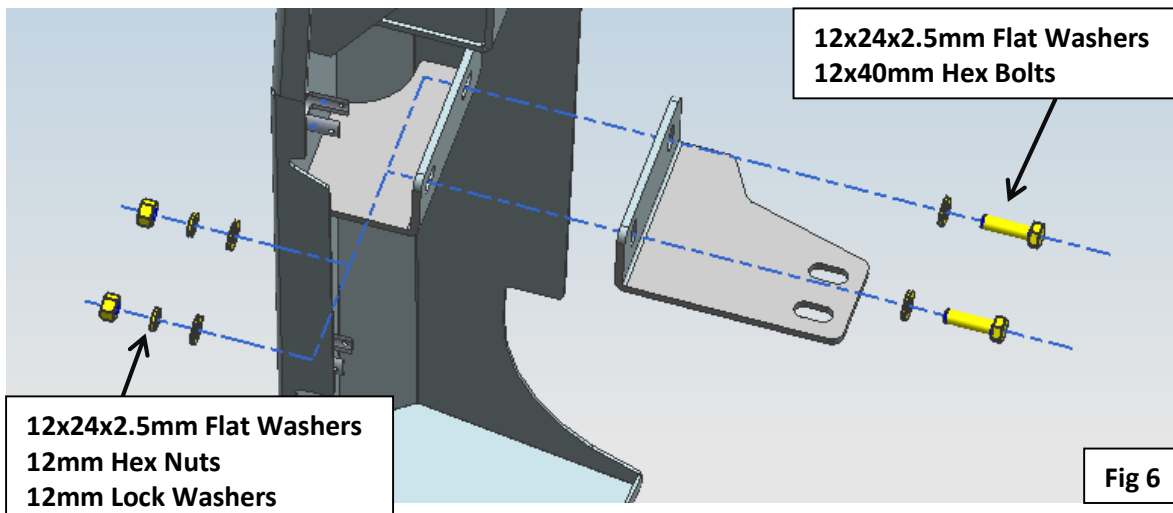


Fig 6

7. Connect the OEM trailer with Replacement Rear Bumper with the hardware, according to the gap between the bumper and the trailer, select suitable spacers and adjust the bumper (Fig 7).

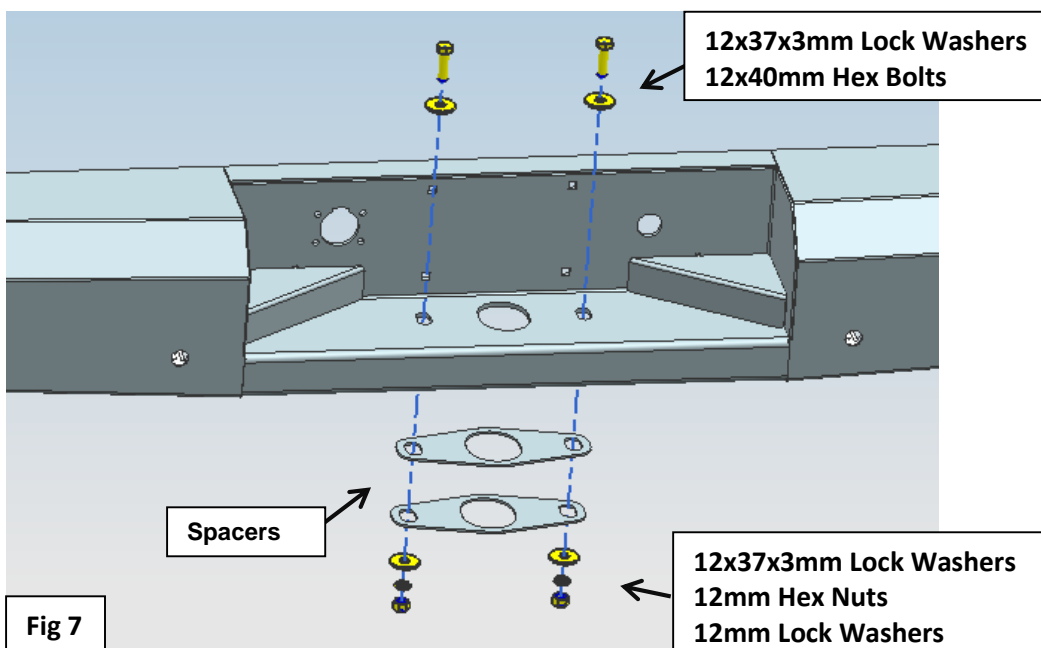


Fig 7

8. Adjust the bumper and tighten all the hardwares.
9. Installation is finished, pick up all tools.

PRODUCT CARE

- Periodically check the product to ensure all fasteners are tight and components are intact.
- Regular waxing is recommended to protect the finish of the product.
- **Use ONLY Non-Abrasive automotive wax.** Use of any soap, polish or wax that contains an abrasive is detrimental and can scratch the finish leading to corrosion.
- Aluminum polish may be used to polish small scratches and scuffs for **Stainless Steel finish.**
- Mild soap may be used to clean the product for both **Stainless Steel and Black finish.**

FAQ's**1. Hardware's are not of correct size.**

In GMC / Chevrolet truck model 2006 & up, customer needs to reuse the factory body bolts to install the bracket. If your vehicle is not GMC / Chevrolet 2006 & up, ensure that holes are not partially covered with any plastic grommet or rust? If it is, remove the plastic grommet & rust from the thread holes & re-try the installation.

2. Mounting Bracket are not getting Installed properly.

In some cases Illustration images shown in Installation manual may not be the exactly same as per actual vehicle images ,also if Driver / Passenger side mounting brackets are very identical in the design, suggest referring Parts Identification guide to avoid fitment issue.

3. Products are thumping / rattling after installation.

Ensure that all required mounting brackets / hardware's are installed & tighten correctly. Suggest using white lithium / regular grease between the metal to metal contact surfaces.

4. Side Bar is not aligning with vehicle / Step Pads are not aligning with vehicle doors.

Side bar may be interchanged or mounting brackets are not installed at the correct position in the vehicle. Refer Parts identification guide.

5. Missing / Excess Hardware.

Recheck hardware count as per the part list.

6. Product not installing properly.

Ensure make model year, cab length and bed size of your vehicle is listed in the application. All installation steps are followed correctly.

Check out these other TrailFX Products!!

www.TrailFX.com



SIDE BAR



HEADACHE RACKS



RUNNING BOARDS



ROCKER GUARDS

Keystone Automotive Operations Inc. (KAO) warrants this product to be free of defects in material and workmanship at the time of purchase by the original retail consumer. KAO disclaims any other warranties, express or implied, including the warranty of fitness for a particular purpose or an intended use. If the product is found to be defective, KAO may replace or repair the product at our option, when the product is returned prepaid, with proof of purchase. Alteration to, improper installation, or misuse of this product voids the warranty. KAO's liability is limited to repair or replacement of products found to be defective, and specifically excludes liability for any incidental or consequential loss or damage.