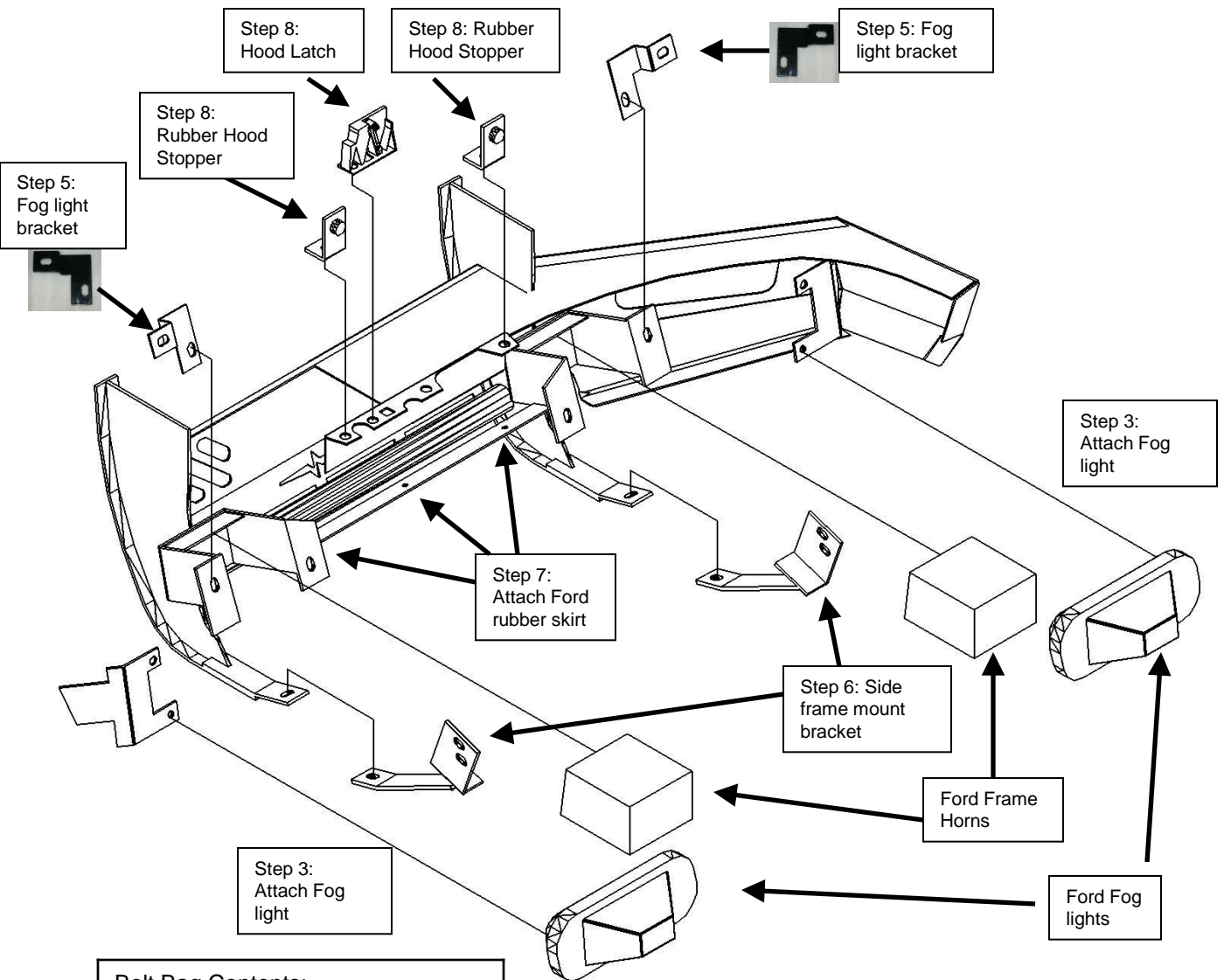


## 04-05 Ford F-150 Front Bumper Replacement Installation Instructions. Part # 300-10-4005 & Xtreme FBR 600-10-4005



### Bolt Bag Contents:

Quantity	Description
8	1/2" Lock Washer
8	1/2" Hex nuts
6	1/2" X 1-3/4" bolts
18	1/2" flat washers
2	1/2" X 6" bolts
15	1/4" X 1" bolts
15	1/4" hex nuts
15	1/4" lock washers
30	1/4" flat washers
<b>117</b>	<b>Total Pieces</b>

Need Help? Call Frontier at 800.634.3086 or E-mail:  
[info@frontier-gear.com](mailto:info@frontier-gear.com)

## 2004-2005 Ford F-150, Front Bumper Replacement Installation Instructions. Part # 300-10-4005

**Step 1:** Remove factory bumper from truck frame horn. Remove hood latch and rubber hood stoppers (to be reused in step 7). Note: **Do Not** remove factory tow hooks. Remove rubber skirt below the condensing unit from the chrome bumper **only!** The rubber skirt should remain attached to truck.

**Step 2:** Remove factory fog lights from chrome bumper (3 bolts per light). Remove plastic housing from fog light (3 bolts per light).

**Step 3:** Partially attach fog light to front bumper replacement (FBR) using 2 bolts ¼" X 1" (per light) on the existing fog light bracket welded to the front bumper replacement (outside).

**Step 4:** Attach FBR to frame horn by lowering FBR below the plastic body and raise into position. Use 2 bolts 1/2" X 1-3/4" per frame horn. Check alignment of front bumper replacement to truck from side to side and tighten inside frame horn bolts ½" X 1-3/4" on each frame horn. Do not install the bolts to the outside frame horn.

**Step 5:** Attach fog light bracket (included in the bolt bag) to the FBR and the frame horn. Attach remaining fog light bolt to the fog light bracket installed using 1 bolt ¼" X 1" per fog light.

**Step 6:** Attach side frame mount bracket to the FBR (using 1/2" X 1-3/4" bolts) and to the outside of frame rail (using 1/2" X 5" bolts), through the entire frame rail and into bracket.

**Step 7:** Attach vehicle rubber skirt to FBR using 3 bolts ¼" X 1".

**Step 8:** Attach hood latch and body plastic using 4 bolts ¼" X 1". Attach rubber hood stoppers to the FBR.

**Step 9:** Attach license plate.

**Step 10:** Check alignment of front bumper replacement to truck from side to side and tighten bolts. Check alignment of front bumper replacement up and down to truck and tighten bolt in the center of frame support bracket.