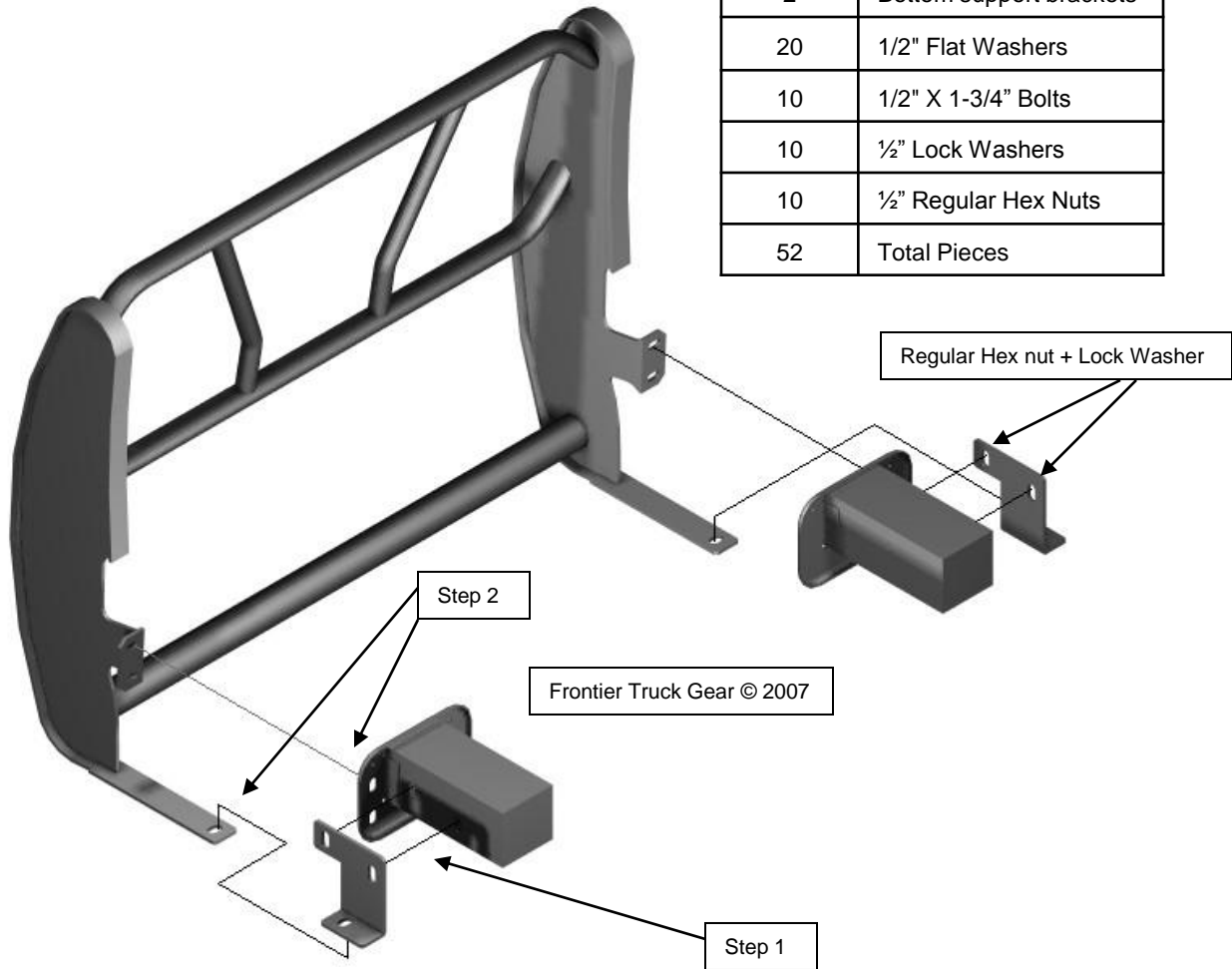


**08-10 Ford F250-F450 Grill Guard Installation Instructions.**  
**Part # 200-10-8003, XGG Part # 700-10-8003**

Bolt Bag Contents:

Quantity	Description
2	Bottom support brackets
20	1/2" Flat Washers
10	1/2" X 1-3/4" Bolts
10	1/2" Lock Washers
10	1/2" Regular Hex Nuts
52	Total Pieces



**Step 1:** Install bottom support bracket behind frame horn. NOTE: You must use regular 1/2" hex nuts and 1/2" lock washers on the bolts going through the truck frame!! You will access the bolt head through a small hole located on the inside/bottom of truck frame when you are tightening.

**Step 2:** Mount grill guard to frame horn and Bottom Support Bracket using 1/2" lock nuts. Bolts will go through the grill guard bracket and the frame horn on the front. Foot of Grille Guard on the bottom goes UNDER bottom support bracket.

**Step 3:** Check alignment of grille guard to truck and tighten all bolts.