

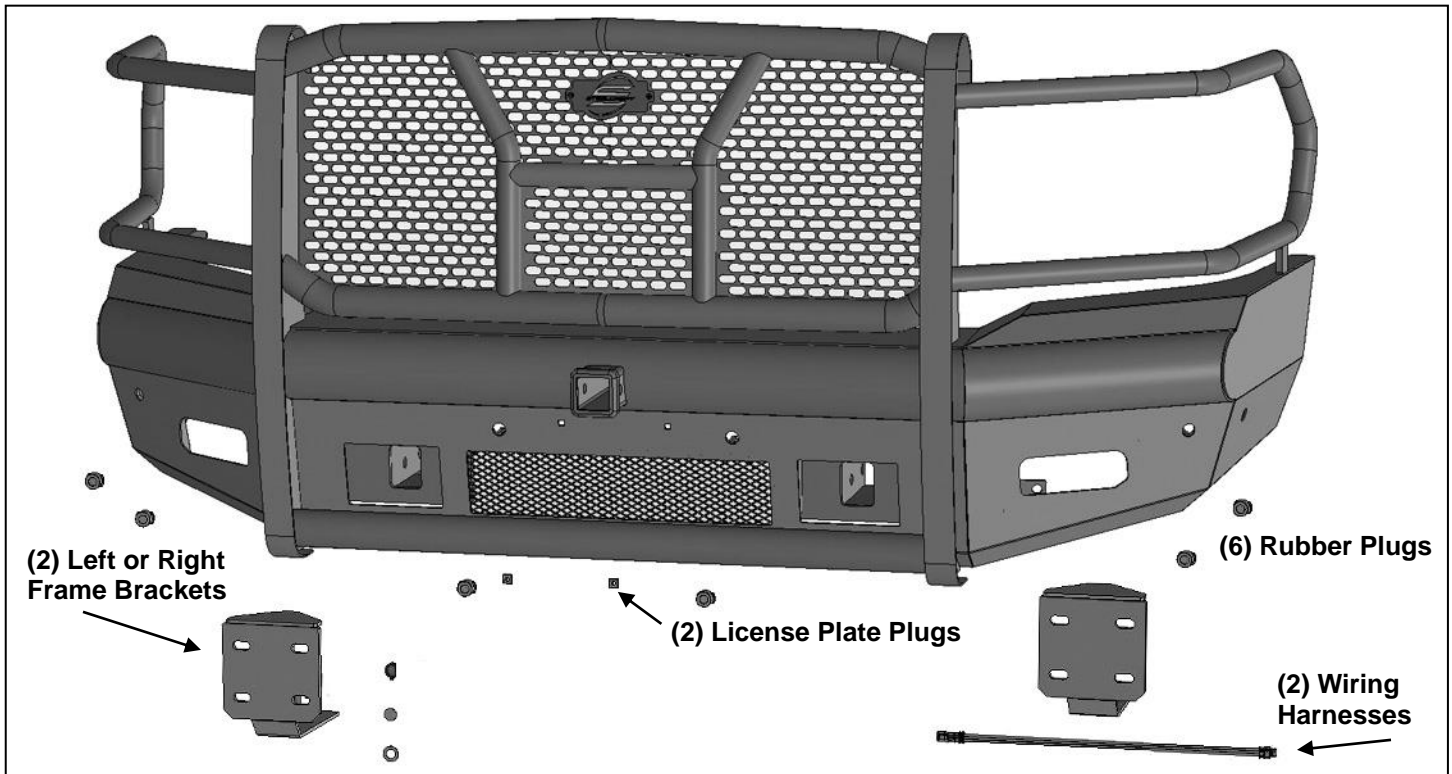
INSTALLATION INSTRUCTIONS

**HEAVY DUTY REPLACEMENT FRONT BUMPER
2019 DODGE RAM 2500-3500**

**HEAVY DUTY REPLACEMENT FRONT BUMPER
2019 DODGE RAM 2500-3500**

PARTS LIST:

1	Heavy Duty Front Bumper Assembly	6	6mm x 20mm Hex Bolts
2	Frame Mounting Brackets	12	6mm x 22mm x 2mm Flat Washers
6	15.5mm x 25mm x 2mm Foam Washers	6	6mm Nylon Lock Nuts
6	Retaining Rings	8	12-1.75mm x 50mm Hex Bolts
6	Foam sensor spacers	16	12mm x 37mm OD x 3mm Flat Washers
1	Sensor Cover kit	12	4mm x 10mm Socket Head Screws
6	Rubber Sensor Plugs	1	Allen Wrench
2	Dodge Wiring Harnesses	8	12mm Nylon Lock Nuts
2	License Plate Mounting Plugs		



PROCEDURE:

- 1. REMOVE CONTENTS FROM BOX. VERIFY ALL PARTS ARE PRESENT. READ INSTRUCTIONS CAREFULLY BEFORE STARTING INSTALLATION. BUMPER IS HEAVY, ASSISTANCE IS HIGHLY RECOMMENDED. CUTTING MAY BE REQUIRED.**
- Remove the license plate. On models with bumper mounted sensors and/or fog lights, unplug the wiring harness leading to the front bumper. Move the wiring harnesses out of the way.
- Temporarily remove the tow hooks and hardware, **(Figure 1)**.
- Locate the factory bumper bolts attaching the inner bumper brackets to the end of the frame, **(Figure 1)**. With assistance, remove the (2) long hex bolts per side to remove the bumper assembly, **(Figure 2)**. **WARNING!** Assistance is required to hold the bumper in place during hardware removal to prevent the bumper from falling.
- Remove the lower frame extension from the driver/left side of the frame, **(Figure 2)**. **NOTE:** Lower frame extension cannot be reinstalled.
- Select (1) Frame Bracket. Line up the holes in the Bracket with the outside of the driver/left side of the frame. Reuse the (2) factory long hex bolts to attach the Bracket to the end of the frame, **(Figure 3)**. Reuse the (2) hex bolts from the lower frame extension, **(Figure 2)**, to attach the lower mount on the Bracket to the side of the frame.

**HEAVY DUTY REPLACEMENT FRONT BUMPER
2019 DODGE RAM 2500-3500**

7. Repeat **Steps 5 & 6** to attach the passenger/right side Mounting Bracket.
8. Carefully remove both fog light assemblies, all sensors and the wiring harness from the back of the OE bumper, **(Figure 4)**. Note location of each sensor for correct reinstallation.

Models with fog lights:

- a. Select the driver/left fog light assembly. Attach the assembly to the (3) mounting tabs on the back of the Bumper with the included (3) 6mm Bolts, (6) 6mm Flat Washers and (3) 6mm Nylon Lock Nuts, **(Figure 5)**. Repeat this Step to attach the passenger/right fog light assembly.
- b. Install the fog light harness and secure it to the Bumper.

Models without bumper sensors:

- a. Select the included (6) Rubber Plugs.
- b. From behind bumper, push plugs into sensor mounting holes, **(Figure 6)**. Use the included 4mm Screws to lock Plugs in mounting sleeves if desired.

Models with bumper mounted sensors:

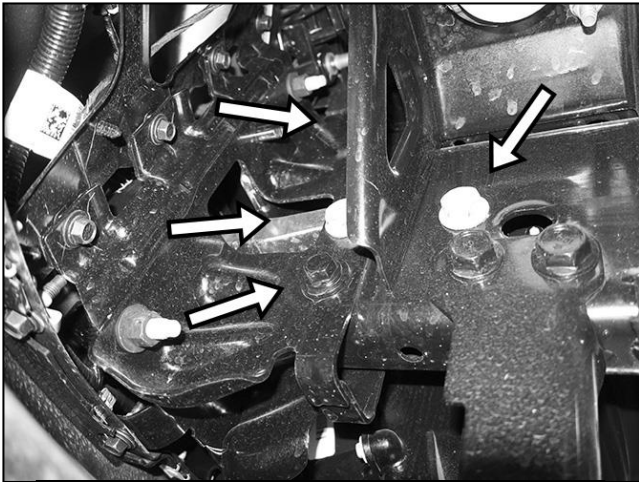
- a. Select the driver/left outer sensor. Remove the seal from the end of the sensor, **(Figure 7)**. Replace the seal with the included larger Foam Seal.
 - b. Push the sensor into the matching mounting socket in the back of the Bumper.
 - c. Apply (1) Foam Washer to the plug end of the sensor, **(Figure 8)**. Trim Washer as required.
 - d. Secure the sensor to the socket with (1) Sensor Retaining Clip, **(Figure 8)**.
 - e. Move to the next sensor location. Repeat previous Steps to install the next sensor as you go across the Bumper.
 - f. Reinstall the factory wiring harness. **NOTE:** It may be necessary to remove some of the outer wiring cover to extend the reach of the harness to the sensors. Use the included (2) Wiring Harnesses Extensions to extend the wiring harness to reach the corner sensors.
 - g. Secure harness to the Bumper as required.
9. Select the (2) factory tow hooks. Reuse the factory tow hook hardware to attach the tow hooks to the mounts in the Front Bumper, **(Figure 9)**.
 10. With assistance, position the HD Bumper assembly up to the (2) Frame Brackets. **WARNING:** To avoid possible injury or damage to the vehicle, do not proceed until the Bumper is fully and safely supported. Attach the Bumper to the Frame Brackets with (8) 12mm x 50mm Hex Bolts, (16) 12mm Flat Washers and (8) 12mm Nylon Lock Nuts, **(Figures 10 & 11)**. Snug but do not fully tighten hardware.
 11. Level and adjust the Bumper to the vehicle and tighten all hardware.
 12. Install (2) Plastic License Plate Plugs into the holes in the Bumper, **(Figure 12)**. Reuse factory screws to attach license plate to Plugs.
 13. On models equipped with forward facing camera, remove the center screen from the Bumper, **(Figure 12)**.
 14. Do periodic inspections to the installation to make sure that all hardware is secure and tight.

To protect your investment, Do not use any type of polish or wax that may contain abrasives that could damage the finish. Mild soap may be used to clean the Bumper Assembly.

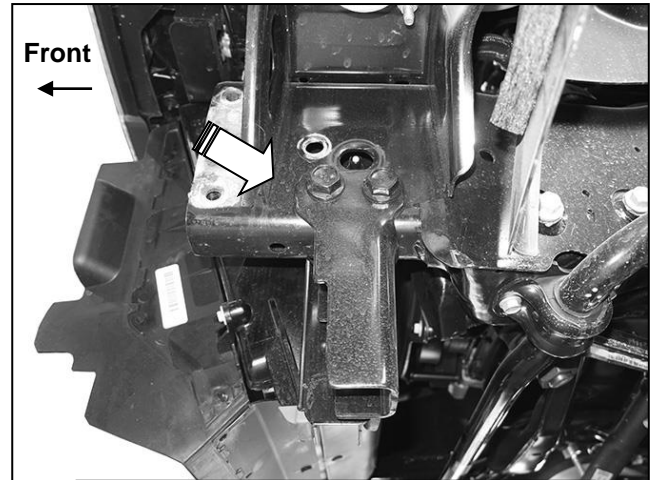
**HEAVY DUTY REPLACEMENT FRONT BUMPER
2019 DODGE RAM 2500-3500**

Driver Side Installation Pictured

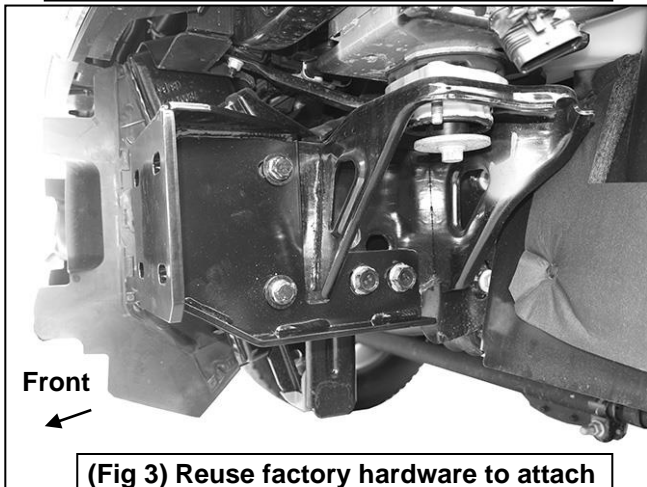
WARNING! To avoid possible injury or damage to vehicle, do not remove bumper bolts unless the bumper is properly supported on blocks or stands or the bumper may fall.



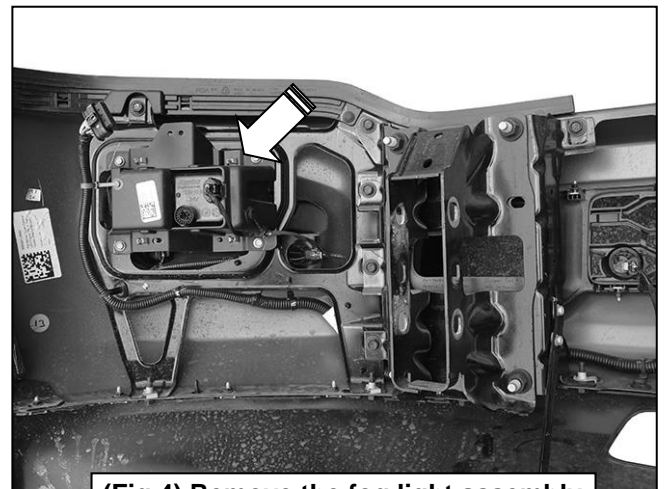
(Fig 1) Locate and remove driver/left side bumper bracket to frame hardware



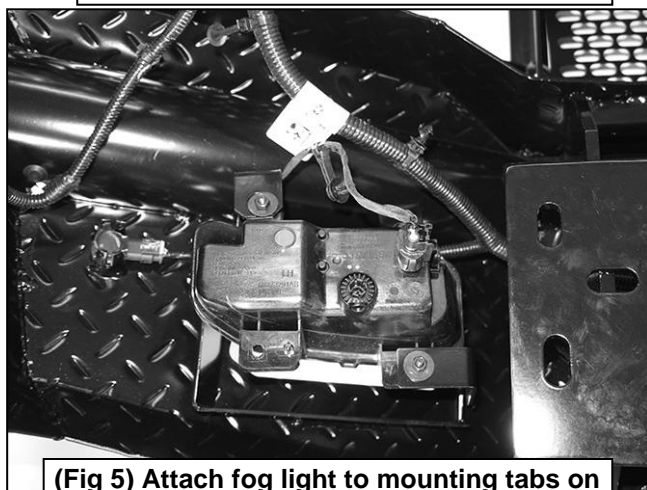
(Fig 2) Remove lower frame extensions (arrow) from bottom of the frame



(Fig 3) Reuse factory hardware to attach (1) Frame Bracket to the outside of the frame (driver/left side pictured)



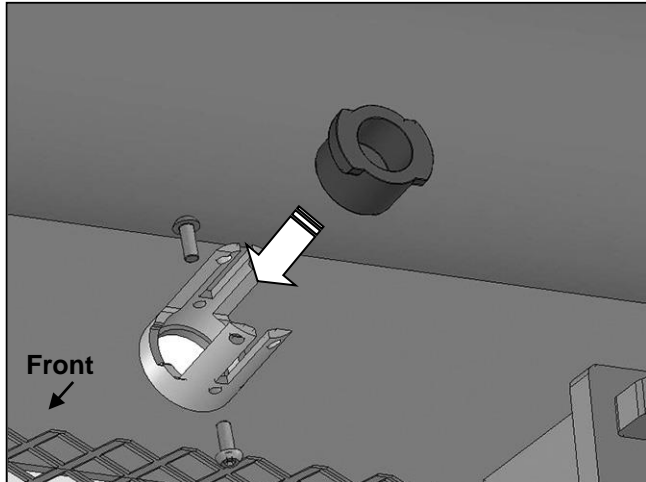
(Fig 4) Remove the fog light assembly (arrow-driver/left pictured)



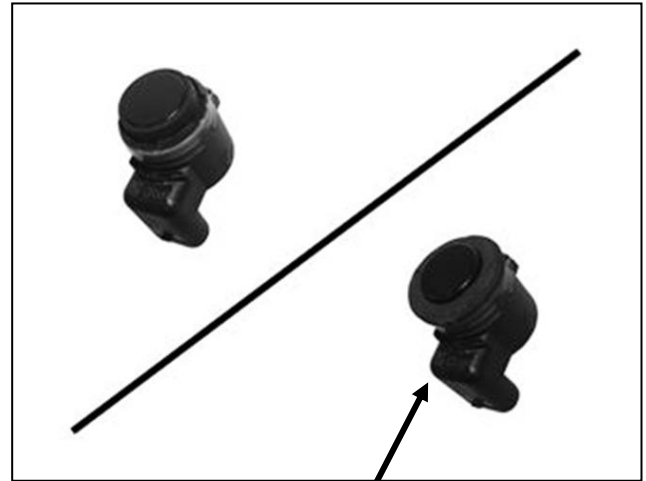
(Fig 5) Attach fog light to mounting tabs on back of Bumper (driver/left side pictured)

**HEAVY DUTY REPLACEMENT FRONT BUMPER
2019 DODGE RAM 2500-3500**

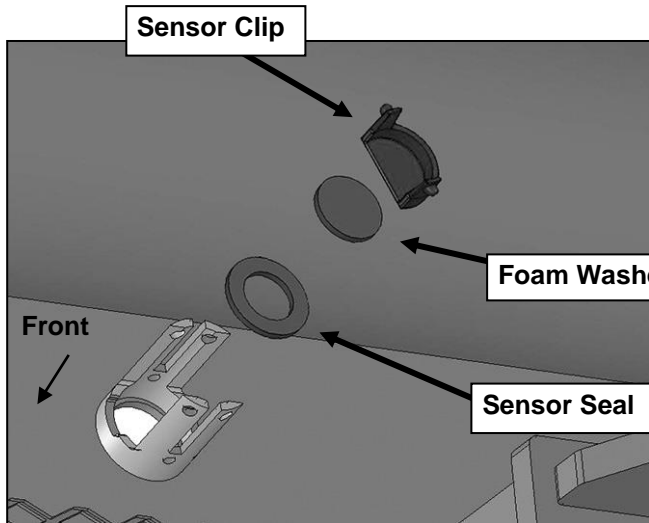
Driver Side Installation Pictured



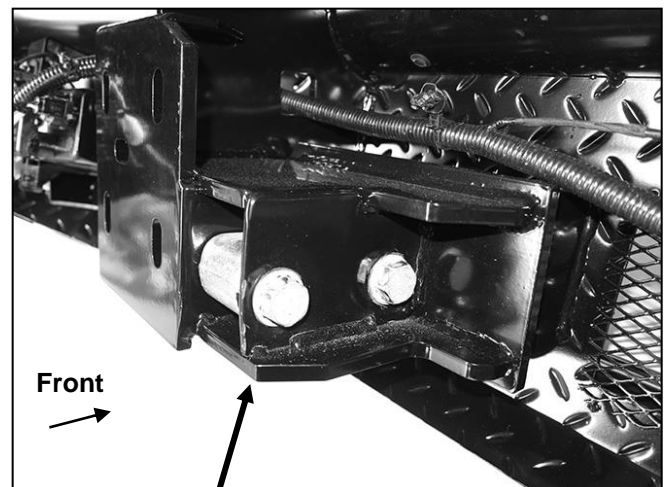
(Fig 6) Push Sensor Hole Plug into mounting sleeve. Use 4mm Screws to lock sensor in place.



(Fig 7) Remove silicone seal from sensor. Slide large Seal over end of sensor (arrow)



(Fig 8) Slide sensor into sleeve, insert Foam Washer and Clip to lock sensor in sleeve

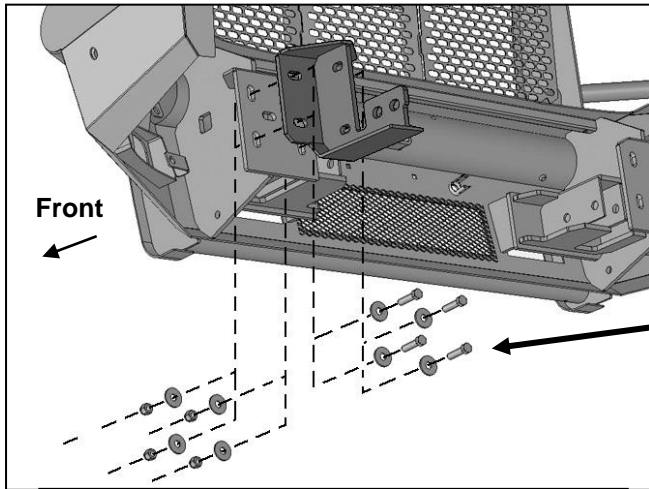


(Fig 9) Reuse factory hardware to attach tow hook to mounts in Bumper (pictured from back of Bumper)

**HEAVY DUTY REPLACEMENT FRONT BUMPER
2019 DODGE RAM 2500-3500**

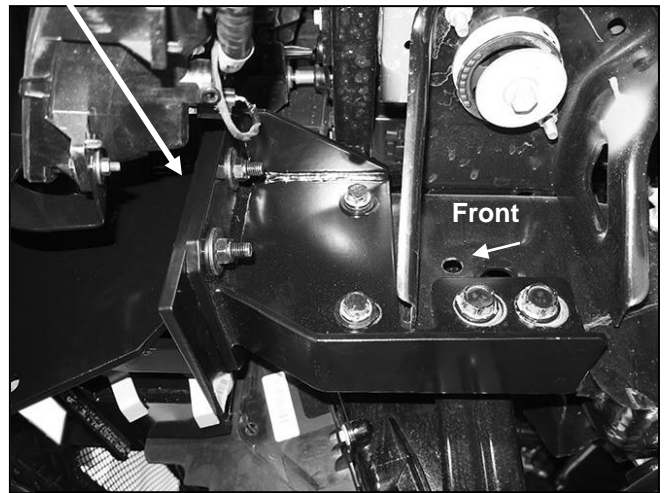
Driver Side Installation Pictured

WARNING! Do not crawl under bumper unless the bumper is properly supported on blocks or stands or the bumper may fall.



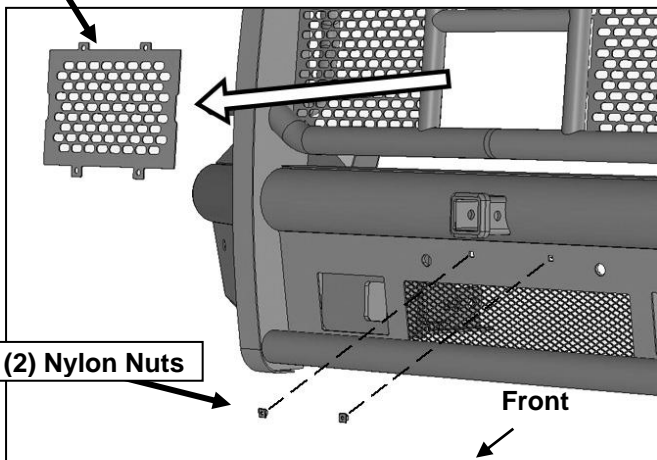
(Fig 10) Attach Bumper to driver/left Bracket

- (4) 12mm x 50mm Hex Bolts
- (8) 12mm Flat Washers
- (4) 12mm Nylon Lock Nuts



(Fig 11) Driver/left side of Bumper installed

Remove screen from grille for models with grille mounted camera



(2) Nylon Nuts

(Fig 12) Attach License Plate Bracket to Bumper



Complete Installation