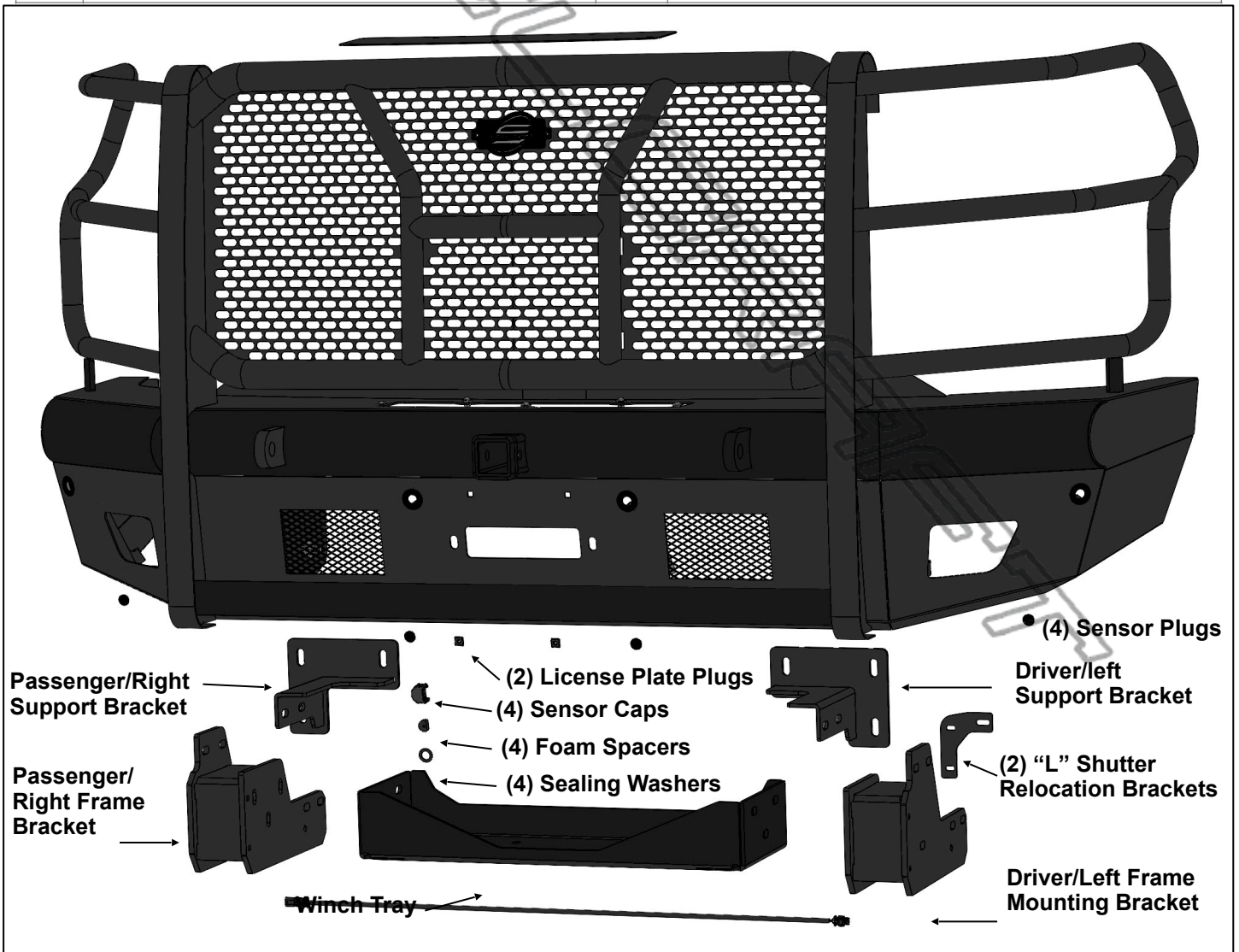


**HD REPLACEMENT FRONT WINCH BUMPER
2020-2023 CHEVY SILVERADO 25-3500**

PARTS LIST:

1	HD Replacement Front Winch Bumper	4	12mm x 140mm Hex Bolts
1	Winch Tray	12	12mm x 55mm Hex Bolts
1	Driver/left Mounting Bracket	32	12mm x 37mm x 3mm Flat Washers
1	Passenger/right Mounting Bracket	16	12mm Nylon Lock Nuts
1	Driver/left Support Bracket	10	6mm x 20mm Hex Bolts
1	Passenger/right Support Bracket	20	6mm x 18mm x 1.6mm Flat Washers
2	Shutter Relocation "L" Brackets	10	6mm Nylon Lock Nuts
4	Sensor Hole Plugs	8	Self-tapping plastic Screws
4	Sensor Retaining Caps	1	4mm Hex Wrench
3	Sensor Wiring Harness Extensions	2	Plastic Plugs for License Plate
4	20mm x 2mm Foam Spacers	1	Winch Access Panel
4	Foam Sensor seals	5	6mm x 20mm Button Head Combo Bolts
1	Sensor Covers Kit		



(3) Wiring Harnesses

PROCEDURE:

REMOVE CONTENTS FROM BOX. VERIFY ALL PARTS ARE PRESENT. READ INSTRUCTIONS CAREFULLY BEFORE STARTING INSTALLATION. BUMPER IS HEAVY, ASSISTANCE IS HIGHLY RECOMMENDED TO AVOID POSSIBLE INJURY OR DAMAGE TO THE VEHICLE.

1. Start installation at the driver/left wheel opening. Remove the hardware attaching the fender liner to the front of the fender and the end of the plastic body panel, **(Figure 1)**. Carefully pull the fender flare out to release the clips attaching it to the body panel, (fascia), and end of the fender, **(Figure 2)**.
IMPORTANT: Only release the forward end of the flare, it is not necessary to remove the flare. Remove the screws attaching the end of the fascia panel to the front fender, **(Figure 3)**. Repeat this **Step** to release the passenger/right end of the fascia from the fender.
2. Pull along the center of the fascia to release the clips and remove the fascia, **(Figure 4)**.
3. Open the hood and remove the plastic cover from the top of the radiator and the grille, **(Figure 4)**. Remove the hardware attaching the grille and pull it straight out from the vehicle. On models with grille mounted camera, unplug harness leading to the camera and remove the grille, **(Figures 5 & 7)**.
4. Unplug all wiring harnesses leading to the front bumper, **(Figure 6)**. Remove the license plate and bracket if equipped, **(Figure 7)**. Move all harnesses away from bumper.
5. Remove the outer bumper supports from the ends of the bumper and bottom of frame, **(Figure 8)**.
6. Place blocks or jack stands under the front bumper to support it during mounting bolt removal. Once the bumper has been safely supported, from above the bumper, remove the (2) factory upper and lower bumper bolts from each side, **(Figure 9)**. **WARNING!** Assistance is required to hold the bumper in place during bolt removal to prevent the bumper from falling. Remove the bumper assembly.
7. Remove the factory bumper brackets and tow hooks, (if equipped), from the end of frame, **(Figure 10 & 11)**. On models with lower radiator shutter assembly, unplug and remove the assembly, **(Figure 10)**.
8. Select the driver/left Upper Support Bracket, **(Figure 12)**. Reuse the factory hardware to attach the Bracket to the frame, **(Figures 11—13)**. Do not tighten hardware at this time.
9. Next, select the driver/left Frame Mounting Bracket. Hold the Bracket up to the bottom of the frame. Attach the Bracket to the holes through the frame with the included (2) 12mm x 140mm Hex Bolts, (4) 12mm Flat Washers and (2) 12mm Nylon Lock Nuts. **(Figures 13—14)**. Do not fully tighten hardware at this time.
10. Repeat **Steps 8 & 9** to attach the passenger/right Frame and Support Mounting Brackets.
11. Next, on models with lower shutter assembly, select (1) "L" Relocation Bracket, **(Figure 14)**. Reuse (1) factory bumper bolt to attach the Bracket to the bottom inner mounting hole, **(Figure 16)**. Repeat this **Step** to attach the passenger/right Relocation Bracket.
12. Remove shutter assembly from outer plastic housing, **(Figure 15)**. Attach the shutter assembly to the front of the "L" Relocation Brackets with the included (4) 6mm x 20mm Hex Bolts, (8) 6mm Flat Washers and (4) 6mm Nylon Lock Nuts, **(Figures 16 & 17)**. Do not overtighten the 6mm hardware or damage to the shutter assembly may result. Plug wiring harness into shutter assembly
13. Select the Winch Tray, **(Figure 18)**. Slide Winch Tray between the Frame Brackets. Attach Winch Tray to Brackets with (6) 12mm x 55mm Hex Bolts, (12) 12mm Flat Washers and (6) 12mm Nylon Lock Nuts, **(Figures 18 & 19)**. Snug but do not fully tighten hardware at this time. Follow winch manufacturer's instructions to attach winch to Winch Tray. **NOTE:** Also install winch cable guide (not included) onto bumper before mounting to vehicle.
14. Reinstall fascia, grille and top cover removed in **Steps 1—3**.
15. Determine if vehicle is equipped with parking sensors.
Models without bumper sensors:
 - a. Select the included (4) sensor Plugs.
 - b. On the front of the bumper, push plugs into sensor mounting holes, **(Figure 20)**.**Models with bumper mounted sensors:**
 - a. Disassemble the front bumper to access the sensors and wiring harness, **(Figure 21)**. Unplug and remove sensors and wiring harness from factory bumper.
 - b. Remove the OE silicone seal from the end of the sensor. Select the provided foam Sensor Seal and remove the adhesive backing. Slide the larger Sensor Seal over front of sensor, **(Figure 22)**.
 - c. Insert sensor with Seal into sensor mount. You should hear a click once secured **(Figure 23)**.

**HD REPLACEMENT FRONT WINCH BUMPER
2020-2023 CHEVY SILVERADO 25-3500**

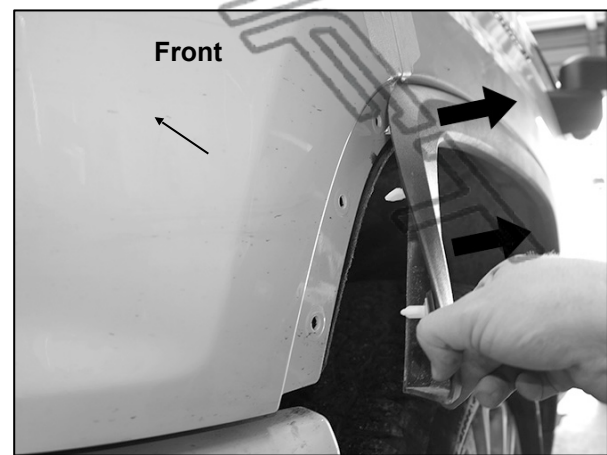
- d. Place Foam Spacer over end of sensor. Push Sensor Retaining Cap into sensor mount and lock into mounting holes, **(Figure 24)**.
 - e. Repeat previous Steps to install remaining sensors.
 - f. Attach the wiring harness to the back of the Bumper and plug-in sensor closest to main connector on vehicle. **NOTE:** (3) Wire Harness Extensions have been included to extend the factory harness to reach the other sensors as needed. **(Figure 25)**.
16. With assistance, position the Bumper Assembly up to the outside of the Brackets. Temporarily support the weight of the Bumper. **WARNING:** To avoid possible injury or damage to the vehicle, do not proceed until the Bumper is fully and safely supported.
17. Line up the (3) holes in the driver/left side of the Bumper with the (3) slots in the Frame Bracket. Attach the 2 top slots in the Bumper to the Frame and Support Bracket with (2) 12mm x 55mm Hex Bolts, (4) 12mm Flat Washers and (2) 12mm Nylon Lock Nuts, **(Figures 26 & 27)**. Insert (1) 12mm x 55mm Hex Bolt, (2) 12mm Flat Washers and (1) 12mm Nylon Lock Nut through the bottom slot and into the Frame Bracket only. Do not fully tighten hardware at this time. Repeat this Step to attach the passenger/right side of Bumper to the Frame and Support Brackets.
18. Level and adjust the Bumper and fully tighten all 12mm hardware to 65-70ft-lbs.
19. **Models with fog lights:**
- a. Remove the fog lights from the factory bumper, **(Figure 22)**.
 - b. Attach the passenger/right fog light to the mounting tabs on the back of the driver/left side of the Bumper with the included (3) 6mm x 20mm Hex Bolts, (6) 6mm Flat Washers and (3) 6mm Nylon Lock Nuts, **(Figure 28)**. Do not overtighten hardware or damage to the light may result.
 - c. Repeat the previous Steps to attach the driver/left fog light to the passenger/right side.
 - d. Plug harness into lights.
20. Use the included (2) push-in Plastic Plugs to attach the front license plate, (if required), to the (2) holes in the front Bumper, **(Figure 29)**.
21. Do periodic inspections to the installation to make sure that all hardware is secure and tight.

To protect your investment, wax this product after installing. Regular waxing is recommended to add a protective layer over the finish. Do not use any type of polish or wax that may contain abrasives that could damage the finish. Mild soap may be used to clean the Bumper Assembly.

Driver/left Side Installation Pictured

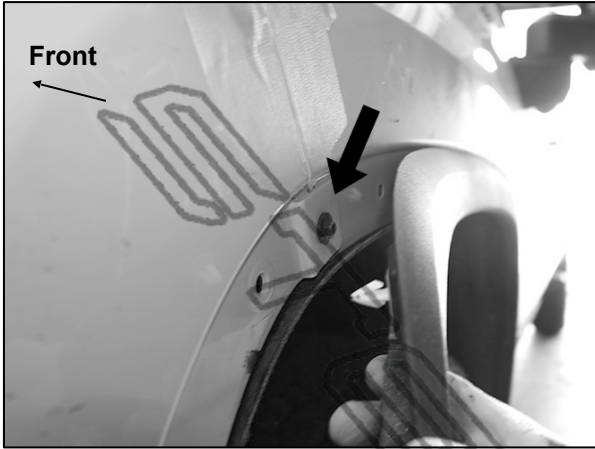


(Fig 1) Release hardware attaching fender liner from plastic panel (fascia-see arrows)



(Fig 2) Pull front end of fender flare out and away from fender. Do not remove flare, only release the front section

Driver/left Side Installation Pictured



(Fig 3) Remove screws attaching plastic fascia panel to front end of fender (arrow)



(Fig 5) Disconnect harness to camera (if equipped) and remove grille

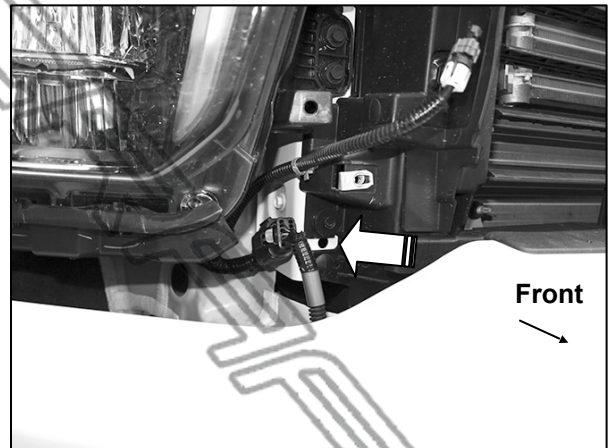


(Fig 7) Grille and fascia removed

Remove plastic cover from top of grille



(Fig 4) Remove plastic fascia from top of bumper

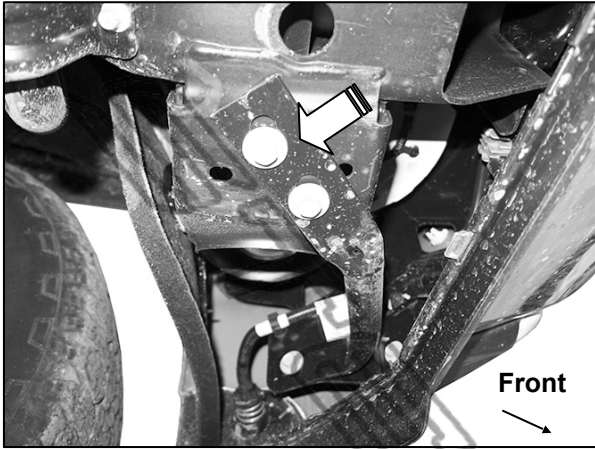


(Fig 6) Disconnect all wire harnesses leading to front bumper

WARNING! Do not crawl under bumper unless it is properly supported on blocks or stands or the bumper may fall.

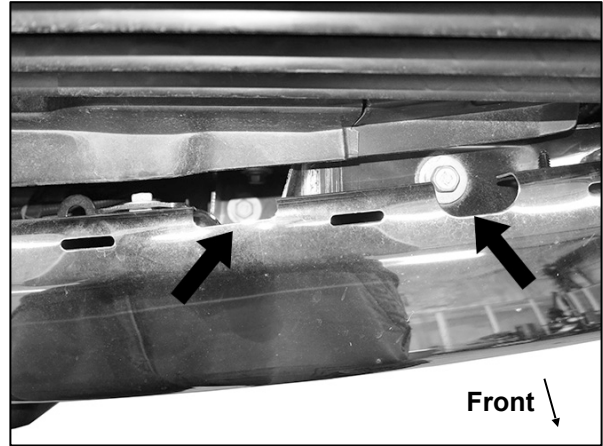
**HD REPLACEMENT FRONT WINCH BUMPER
2020-2023 CHEVY SILVERADO 25-3500**

Driver/left Side Installation Pictured

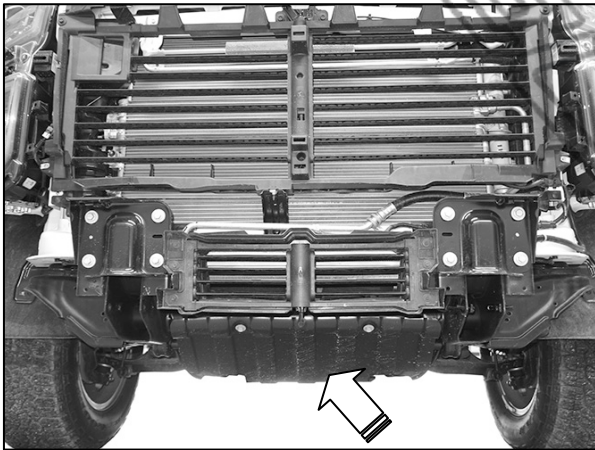


(Fig 8) Remove outer bumper supports attached to bottom of frame (driver/left pictured)

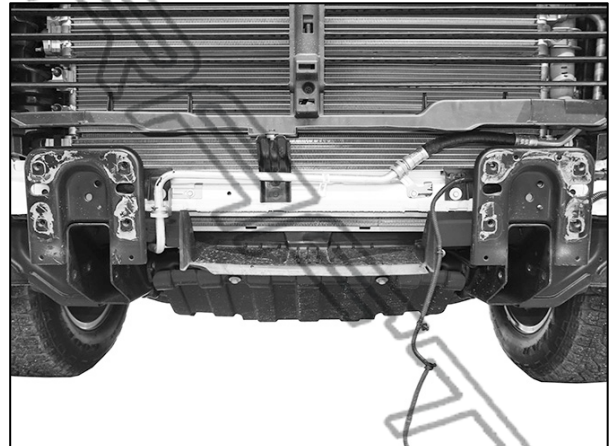
WARNING! Do not crawl under bumper unless it is properly supported on blocks or stands or the bumper may fall.



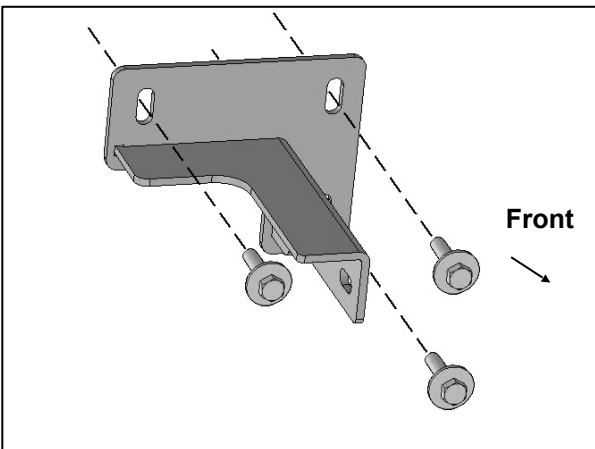
(Fig 9) From above, remove the hex bolts attaching the driver/left side of bumper to the frame, (arrows)



(Fig 10) Remove tow hooks, bumper brackets and shutter assembly (arrow) if equipped

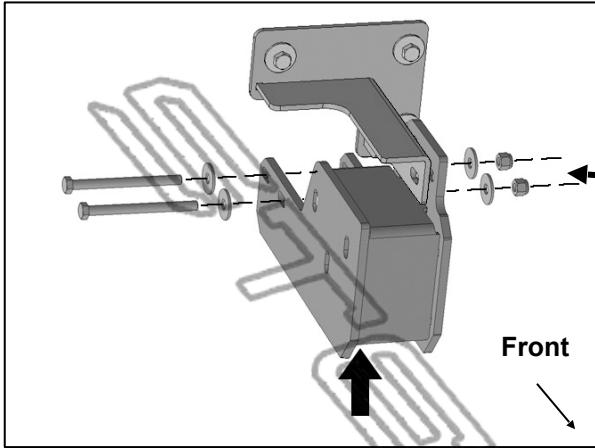


(Fig 11) Attach Frame Brackets to end of frame

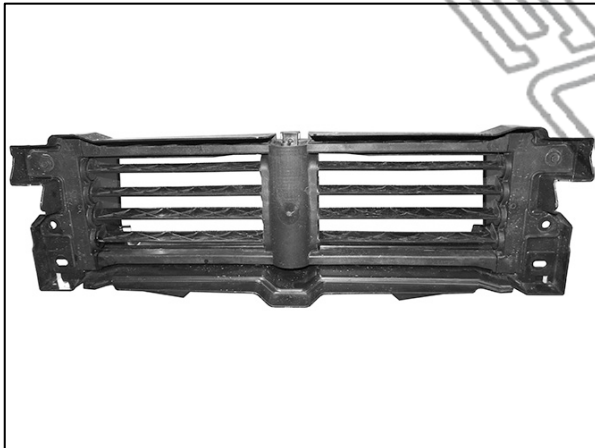


(Fig 12) Reuse factory hardware to attach driver/left Frame Bracket to end of frame

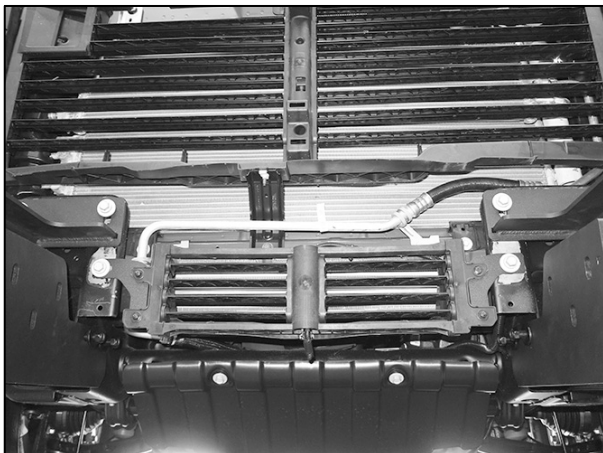
Driver/left Side Installation Pictured



(Fig 13) Attach driver/left Frame Bracket to holes through bottom of frame



(Fig 15) Remove inner shutter assembly from plastic outer housing (if equipped)

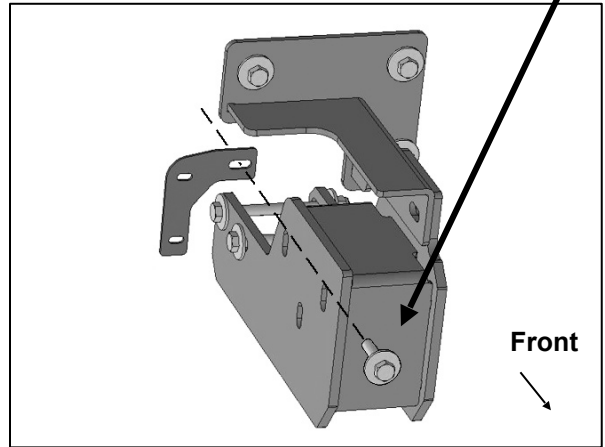


(Fig 17) Attach shutter assembly, (if equipped), to front of Relocation Brackets

WARNING! Do not crawl under bumper unless it is properly supported on blocks or stands or the bumper may fall.

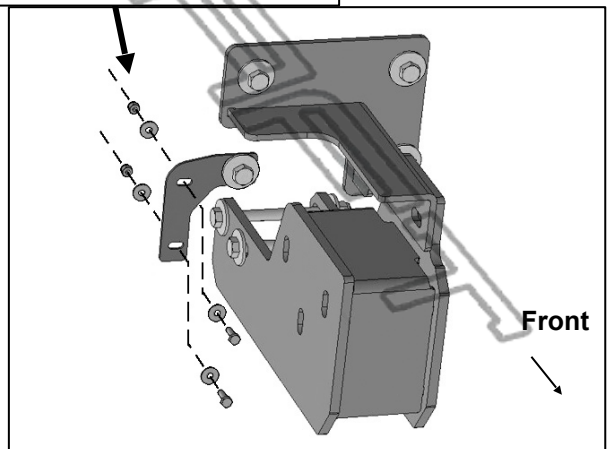
- (2) 12mm x 140mm Hex Bolts
- (4) 12mm Flat Washers
- (2) 12mm Nylon Lock Nuts

Reuse factory bumper bracket bolt



(Fig 14) Reuse the factory bolt to attach the "L" Relocation Bracket to the lower/inner threaded hole in the front of the frame. Attach shutter assembly, (if equipped), to front of Relocation Brackets

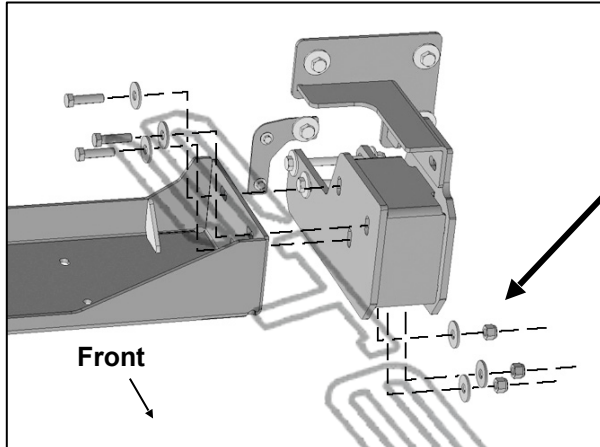
- (2) 6mm x 20mm Hex Bolts
- (4) 6mm Flat Washers
- (2) 6mm Nylon Lock Nuts



(Fig 16) Attach shutter assembly, (if equipped), to front of Relocation Brackets

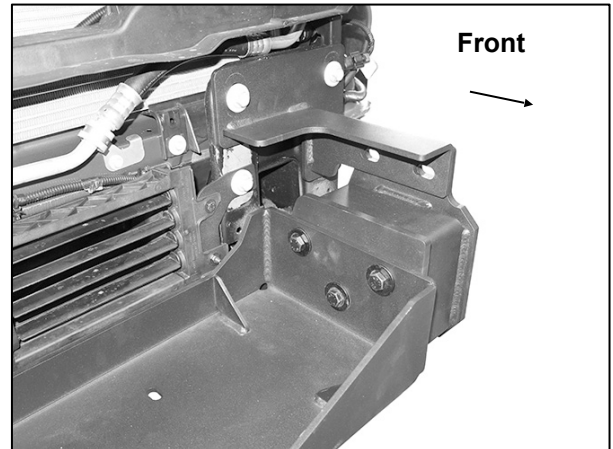
HD REPLACEMENT FRONT WINCH BUMPER
2020-2023 CHEVY SILVERADO 25-3500

Driver/left Side Installation Pictured

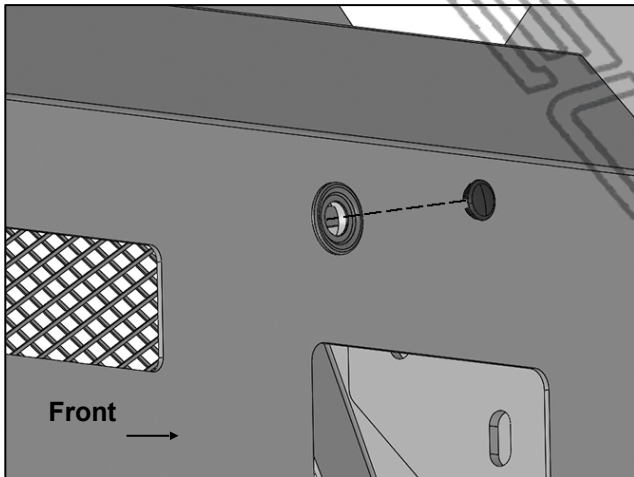


- (3) 12mm x 55mm Hex Bolt
- (6) 12mm Flat Washers
- (3) 12mm Nylon Lock Nut

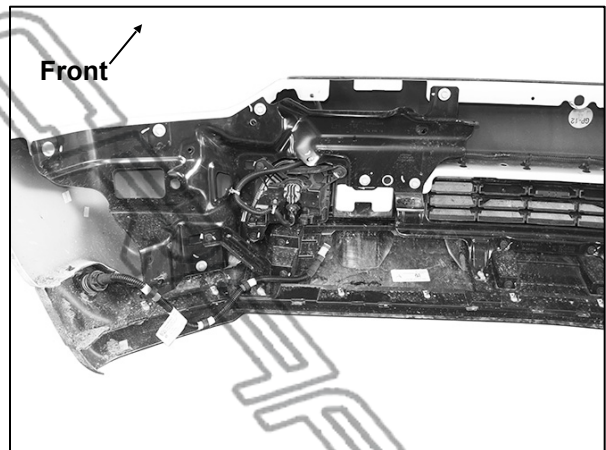
(Fig 18) Attach Winch Tray to Frame Brackets



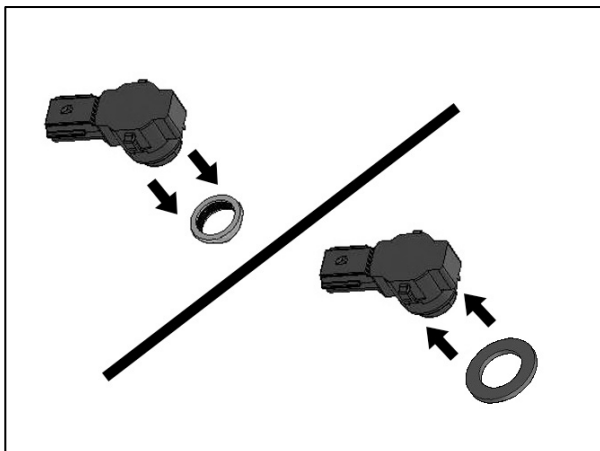
(Fig 19) Attach Winch Tray to Frame Brackets



(Fig 20) Models without front sensors, push sensor Plug into sensor mount



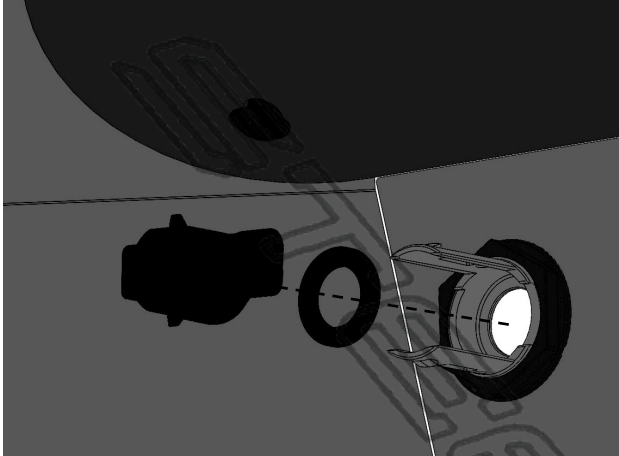
(Fig 21) Disassemble bumper and remove sensors, wiring harness and fog lights as equipped



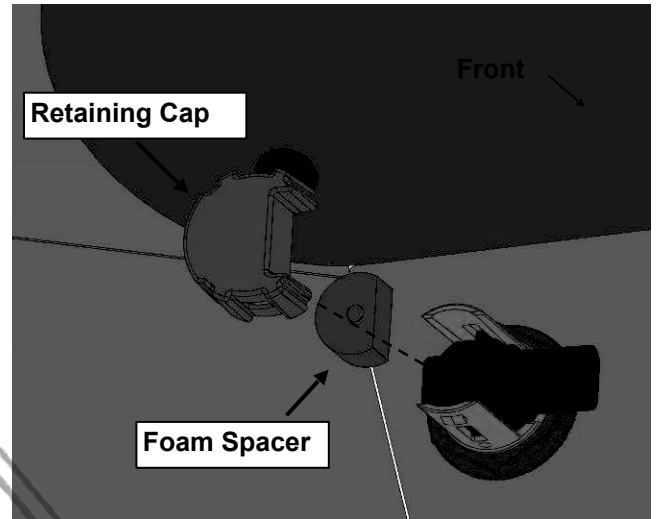
WARNING! Do not crawl under bumper unless it is properly supported on blocks or stands or the bumper may fall.

(Fig 22) Remove seal from sensor. Slide Foam Sealing Washer over end of sensor (arrow)

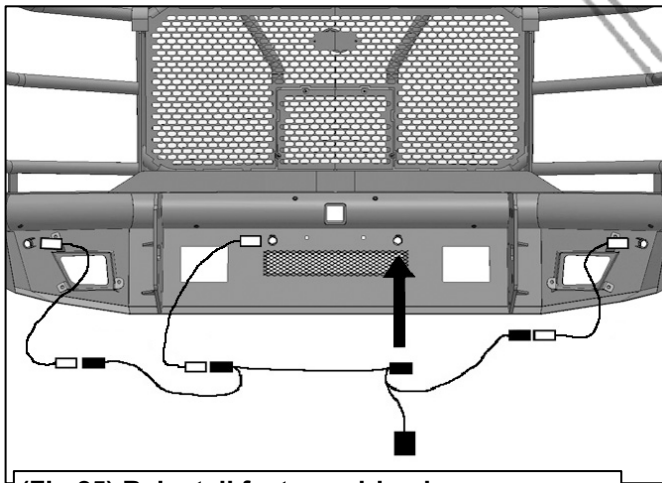
Driver/left Side Installation Pictured



(Fig 23) Insert sensor with seal into Mount on back of Bumper

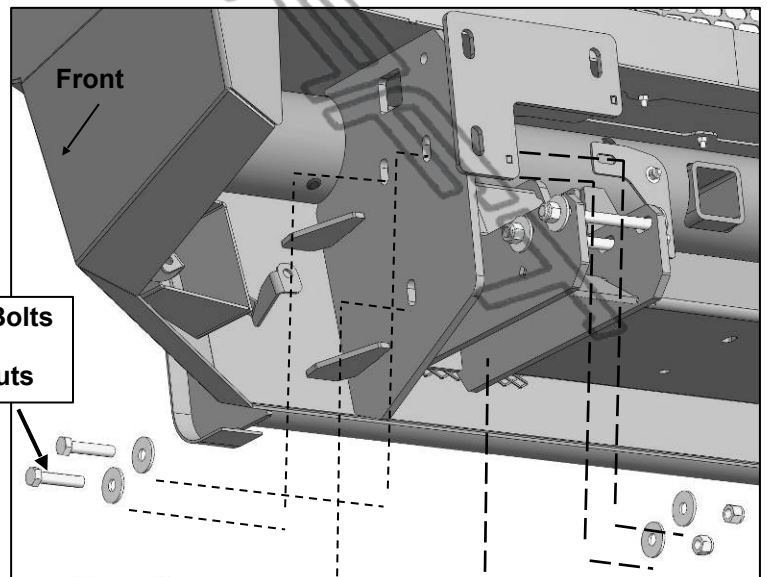


(Fig 24) Insert foam spacer and retaining cap onto back of sensor mount.



(Fig 25) Reinstall factory wiring harness on back of Bumper. NOTE: Use the included (3) Wire Harness Extensions as necessary to reach the parking sensors.

- (3) 12mm x 55mm Hex Bolts
- (6) 12mm Flat Washers
- (3) 12mm Nylon Lock Nuts

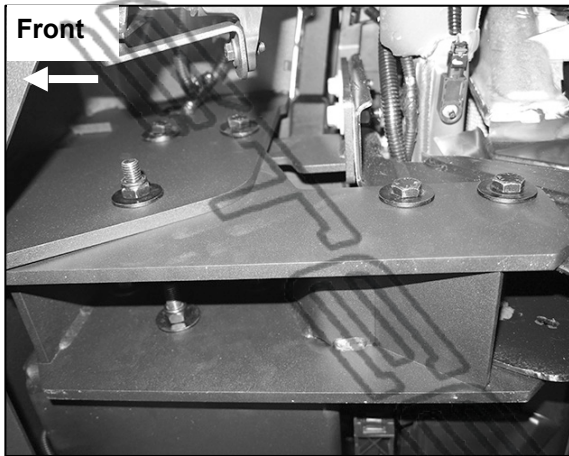


(Fig 28) Reinstall factory wiring harness over Bumper Brackets on back of Bumper. NOTE: Use the included (3) Wire Harness Extensions as necessary to reach the parking sensors

WARNING! Do not crawl under bumper unless it is properly supported on blocks or stands or the bumper may fall.

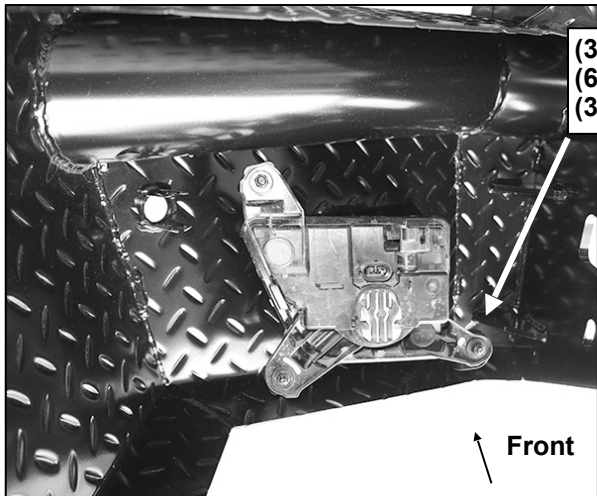
(Fig 26) Attach the Bumper to Frame Brackets

Driver/left Side Installation Pictured



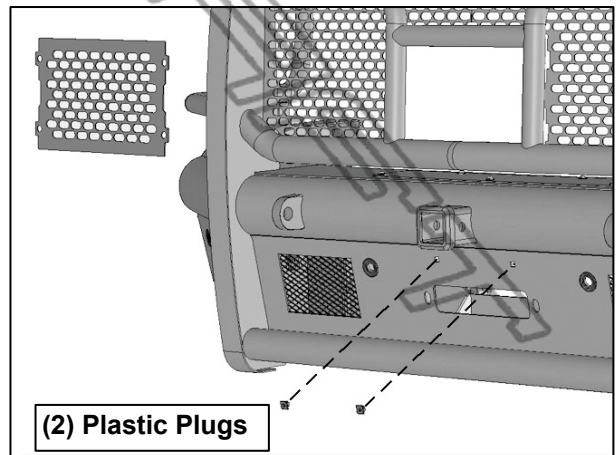
(Fig 27) Driver/left side of Bumper installed

WARNING! Do not crawl under bumper unless it is properly supported on blocks or stands or the bumper may fall.



- (3) 6mm x 20mm Hex Bolts
- (6) 6mm Flat Washers
- (3) 6mm Nylon Lock Nuts

(Fig 28) Attach passenger/right fog light to mounting tabs on driver/left side of Bumper



(Fig 29) Models with grille mounted camera, remove panel from Bumper. Models with front license plate, push the included (2) Plastic Plugs into the square holes in the Bumper. Reuse factory screws to attach License Plate to Plastic Plugs in Bumper